

ADA Compliant

This Space for Architect/Engineer Approval

Job Name _____ Date _____

Model Specified _____ Quantity _____

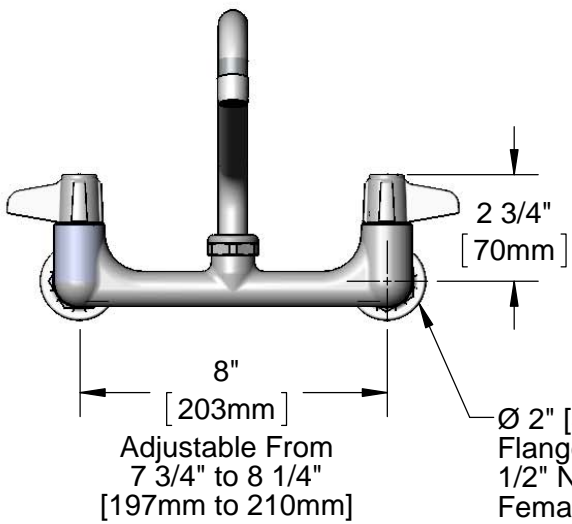
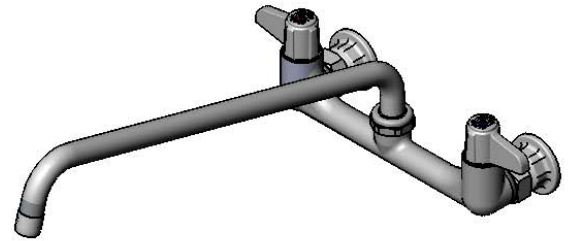
Customer/Wholesaler _____

Contractor _____

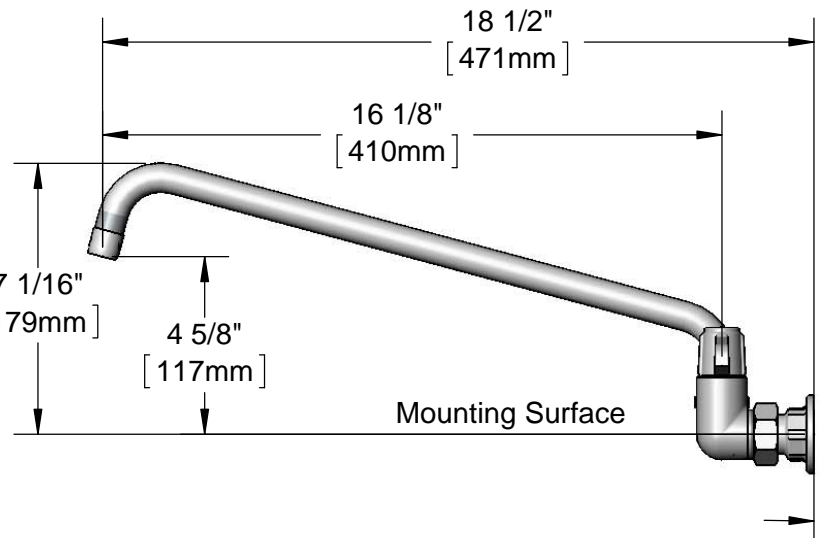
Architect/Engineer _____

Quarter-Turn Ceramic Cartridges & equip Lever Handles w/ Color Coded Screws

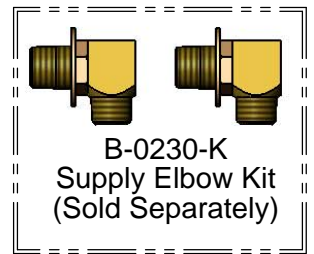
5SP-16
16" equip Swing Nozzle w/ Laminar Flow Device. Rigid Conversion Requires 014200-45 Lock Washer (Sold Separately)



Ø 2" [51mm] Flanges w/ 1/2" NPT Female Inlets



Mounting Surface



Model Number
5F-8WLX16

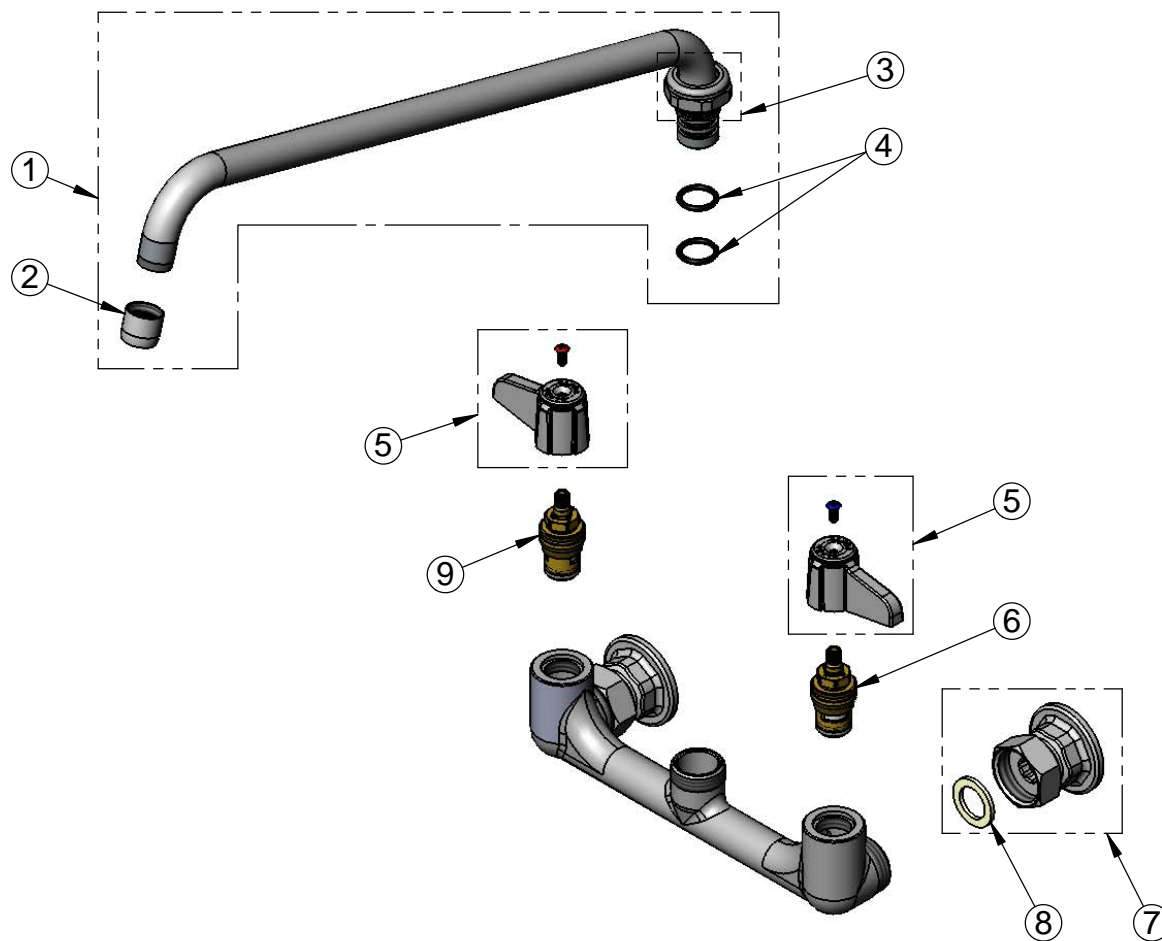
Product Specifications:
8" Wall Mount Mixing Faucet w/ Quarter-Turn Ceramic Cartridges, equip Lever Handles, 16" equip Swing Nozzle & 1/2" NPT Female Inlets

Product Compliance:
ASME A112.18.1 / CSA B125.1
NSF 61 - Section 9
NSF 372 (Low Lead Content)
ANSI A117.1 (ADA)

equip Foodservice Accessories

2 Saddleback Cove, P.O. Box 1088
Travelers Rest, South Carolina 29690
Phone: 800.891.4808 Fax: 800.868.0084
equip.tsbrass.com

ITEM NO.	SALES NO.	DESCRIPTION
1	5SP-16	16" equip Swing Nozzle
2	014250-40	Laminar Flow Device
3	013839-25	equip Swivel Nut
4	013848-45	equip Swivel Piece O-Ring
5	5-HDL-L	equip Lever Handle w/ Color Coded Screws
6	013788-45	equip Ceramic Cartridge, LTC
7	00AA	1/2" NPT Female Eccentric Flange
8	001019-45	Coupling Nut Washer
9	013787-45	equip Ceramic Cartridge, RTC



Model Number

5F-8WLX16

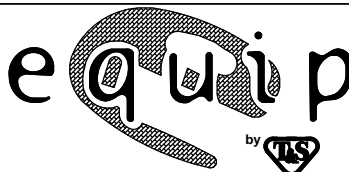
Product Specifications:

8" Wall Mount Mixing Faucet w/ Quarter-Turn Ceramic Cartridges, equip Lever Handles, 16" equip Swing Nozzle & 1/2" NPT Female Inlets

Product Compliance:

ASME A112.18.1 / CSA B125.1
NSF 61 - Section 9
NSF 372 (Low Lead Content)
ANSI A117.1 (ADA)

equip
Foodservice
Accessories



2 Saddleback Cove, P.O. Box 1088
Travelers Rest, South Carolina 29690
Phone: 800.891.4808 Fax: 800.868.0084
equip.tsbrass.com