



# T&S BRASS AND BRONZE WORKS, INC.

2 Saddleback Cove / P.O. Box 1088  
Travelers Rest, SC 29690

Model No.

**B-2865-05-0CS8**

Item No.

Travelers Rest, SC: 800-476-4103 • Simi Valley, CA: 800-423-0150 • Fax: 864-834-3518 • www.tsbrass.com



**ADA Compliant**

This Space for Architect/Engineer Approval

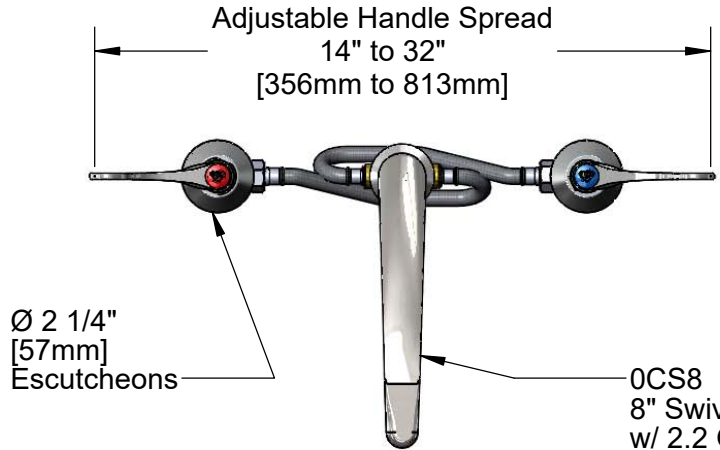
Job Name \_\_\_\_\_ Date \_\_\_\_\_

Model Specified \_\_\_\_\_ Quantity \_\_\_\_\_

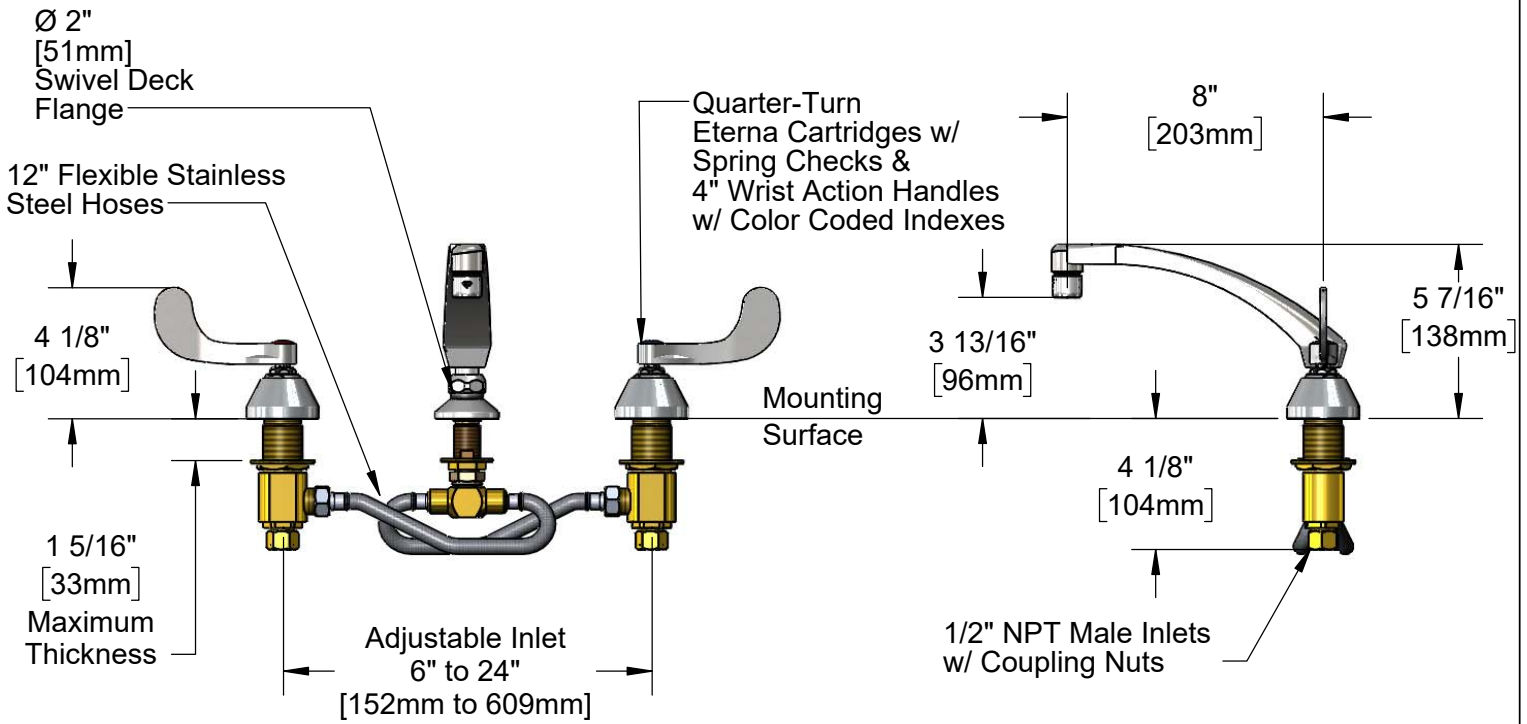
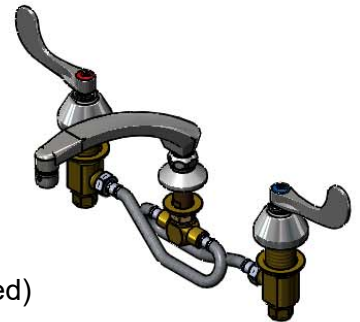
Customer/Wholesaler \_\_\_\_\_

Contractor \_\_\_\_\_

Architect/Engineer \_\_\_\_\_



0CS8  
8" Swivel Cast Spout  
w/ 2.2 GPM Aerator.  
Rigid Conversion Requires  
014200-45 Lock washer (Included)



**Rough-In Requirement:**

Center Shank: Ø 1" [25mm] Mounting Hole

Hot/Cold Bodies: Ø 1 1/2" [38mm] Mounting Holes

**Product Specifications:**

Adjustable Conealed Widespread Mixing Faucet, Quarter-Turn Eterna Cartridges w/ Spring Checks, 4" Wrist Action Handles, Rigid/Swivel Gooseneck, 2.2 GPM Rosespray Outlet & 1/2" NPT Male Inlets

**Product Compliance:**

ASME A112.18.1 / CSA B125.1  
NSF 61 - Section 9  
NSF 372 (Low Lead Content)  
ANSI A117.1 (ADA)

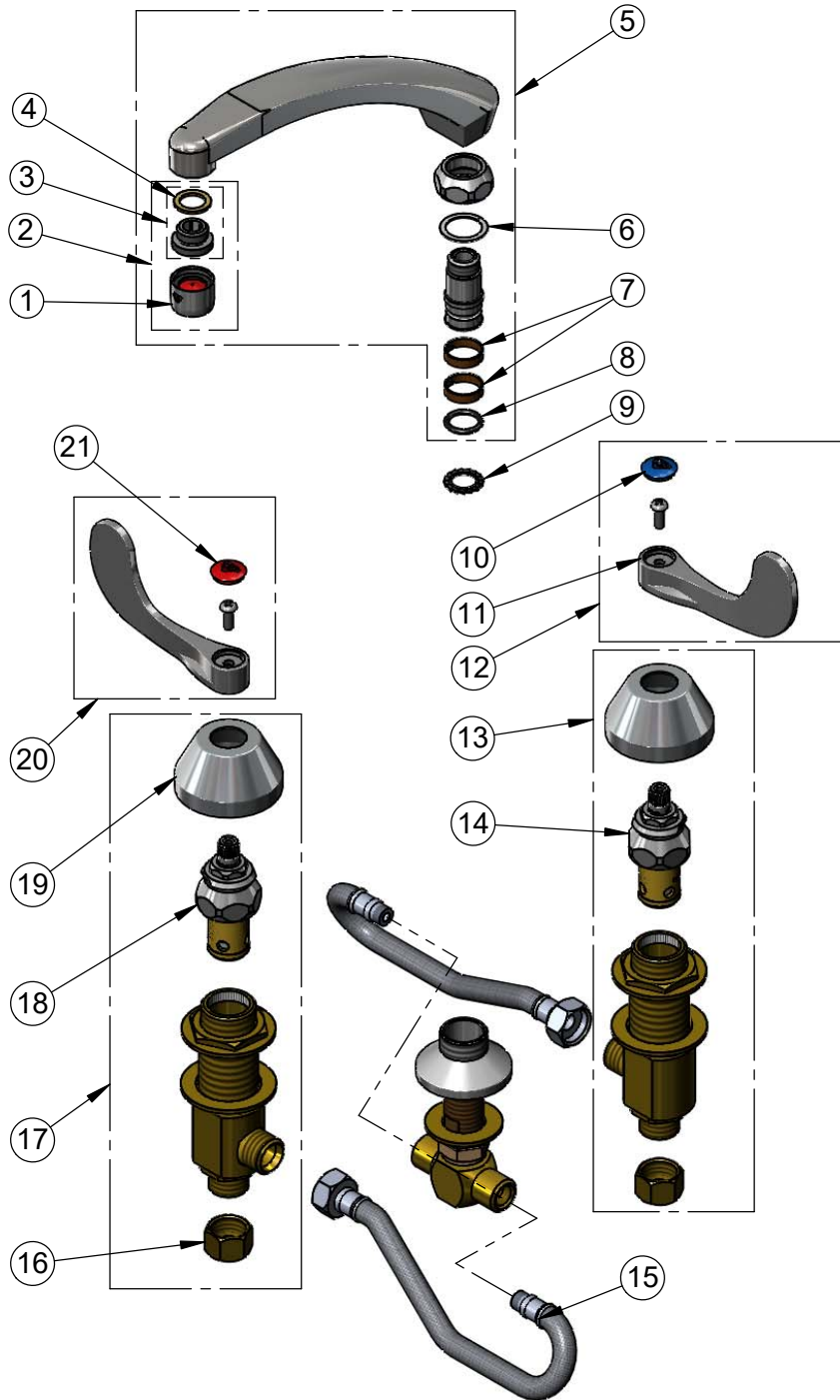


**T&S BRASS AND BRONZE WORKS, INC.**  
 2 Saddleback Cove / P.O. Box 1088  
 Travelers Rest, SC 29690

Model No.  
**B-2865-05-0CS8**

Item No.

Travelers Rest, SC: 800-476-4103 • Simi Valley, CA: 800-423-0150 • Fax: 864-834-3518 • www.tsbrass.com



ITEM NO.	SALES NO.	DESCRIPTION
1	B-0199-01	2.2 GPM Aerator, 55/64-27 UN Female
2	B-0199-02	2.2 GPM Aerator, 3/8" NPSM Male
3	044A	3/8" to Aerator Adapter
4	001043-45	Washer
5	0CS8	8" Swivel Cast Spout w/ 2.2 GPM Aerator
6	009538-45	Swivel Washer
7	011429-45	Swivel Sleeves (2)
8	001074-45	O-Ring
9	014200-45	Star Washer, Anti-Rotation
10	018506-19NS	Blue Button Index, Press-in
11	B-WH4-NS	Wrist Action Handle (New Style)
12	B-WH4C-NS	Wrist Action Handle, Blue Index & Screw
13	161A-NS	B-0850 New Style Side Body - Cold
14	006477-40NS	CWS Quarter-Turn Eterna Cartridge w/ Spring Check, LTC
15	011649-45	12" Stainless Steel Flex Hose
16	000958-20	Coupling Nut
17	162A-NS	B-0850 New Style Side Body - Hot
18	006478-40NS	CWS Quarter-Turn Eterna Cartridge w/ Spring Check, RTC
19	001257-40NS	Bell Escutcheon
20	B-WH4H-NS	Wrist Action Handle, Red Index & Screw
21	001193-19NS	Red Button Index, Press-in

**Product Specifications:**

Adjustable Conealed Widespread Mixing Faucet, Quarter-Turn Eterna Cartridges w/ Spring Checks, 4" Wrist Action Handles, Rigid/Swivel Gooseneck, 2.2 GPM Rosespray Outlet & 1/2" NPT Male Inlets

**Product Compliance:**

ASME A112.18.1 / CSA B125.1  
 NSF 61 - Section 9  
 NSF 372 (Low Lead Content)  
 ANSI A117.1 (ADA)