



Architect/Engineering Specifications:

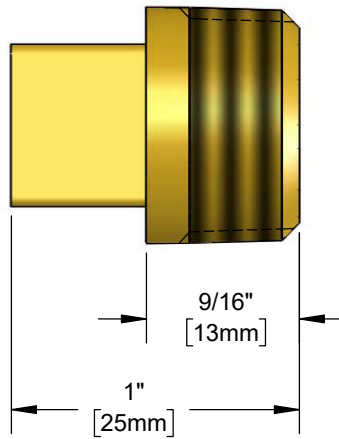
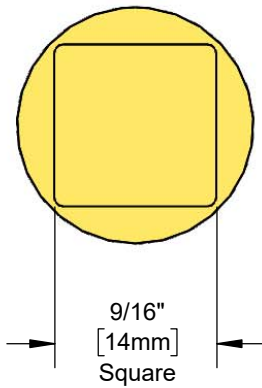
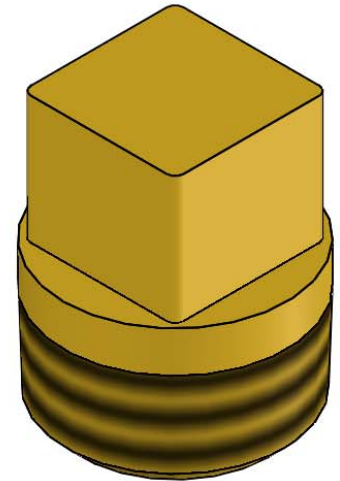
1/2" square head plug with 1/2" NPT male thread. Certified to NSF 61 Section 9 and NSF 372.

Job Name _____

Model Specified _____ Quantity _____

Variations Specified _____

Date _____



Features & Benefits:

- 1/2" square head plug
- 1/2" NPT male thread
- Material: Brass

Product Compliance:

- NSF 61 - Section 9
- NSF 372 (Low Lead Content)



Warranty: One Year (Limited)



Performance Data:

- N/A

