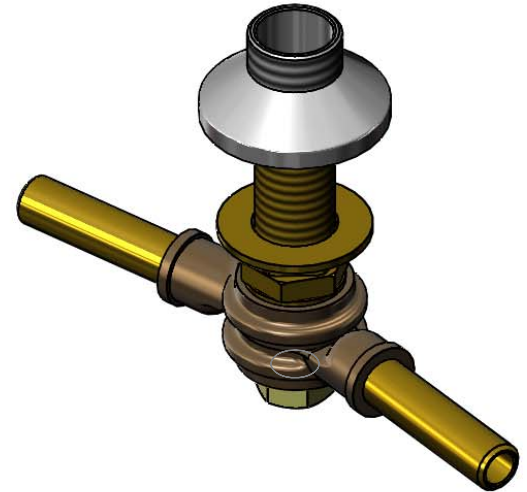
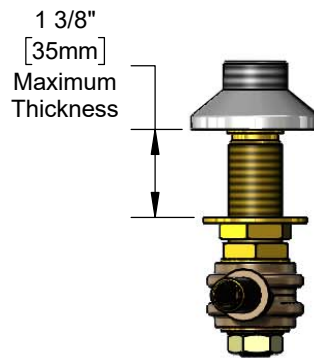
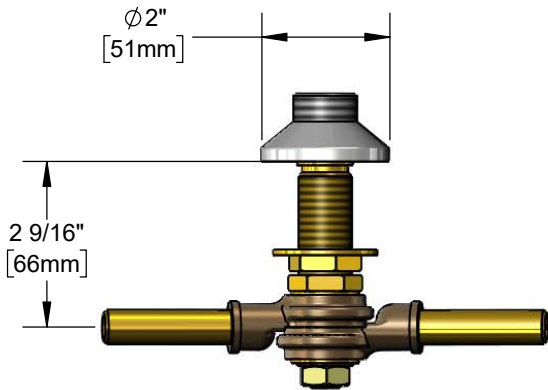




**Architect/Engineering Specifications:**

Swivel yoke/swivel base flange with polished chrome plated brass body. Fits all T&S swivel goosenecks and risers. Certified to NSF 61-Section 9 and NSF 372.

Job Name _____
Model Specified _____ Quantity _____
Variations Specified _____
Date _____



**Features & Benefits:**

- Swivel yoke with swivel base flange outlet
- Fits all T&S swivel goosenecks & risers
- Lock washer provided for rigid application
- Material: Brass and chrome plated brass

**Product Compliance:**

- NSF 61 - Section 9
- NSF 372 (Low Lead Content)



**Warranty:** One Year (Limited)



**Performance Data:**

- N/A

