



# T&S BRASS AND BRONZE WORKS, INC.

2 Saddleback Cove / P.O. Box 1088  
Travelers Rest, SC 29690

Model No.  
**B-0330-01-W4F12**

Item No.

Travelers Rest, SC: 800-476-4103 • Simi Valley, CA: 800-423-0150 • Fax: 864-834-3518 • www.tsbrass.com



**ADA Compliant**

This Space for Architect/Engineer Approval

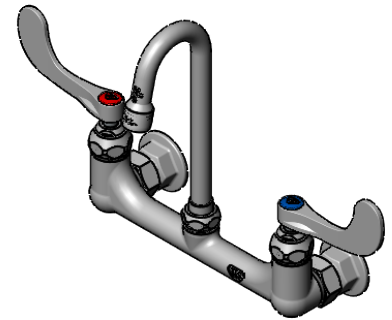
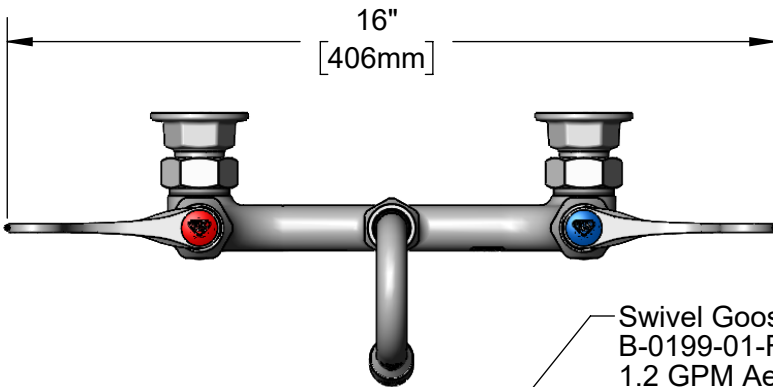
Job Name \_\_\_\_\_ Date \_\_\_\_\_

Model Specified \_\_\_\_\_ Quantity \_\_\_\_\_

Customer/Wholesaler \_\_\_\_\_

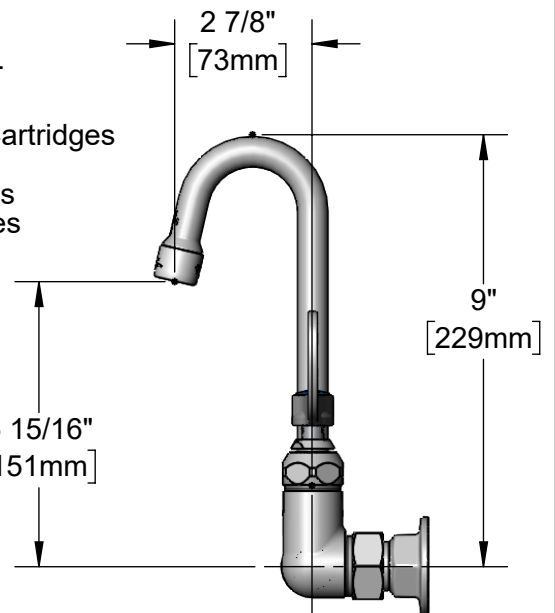
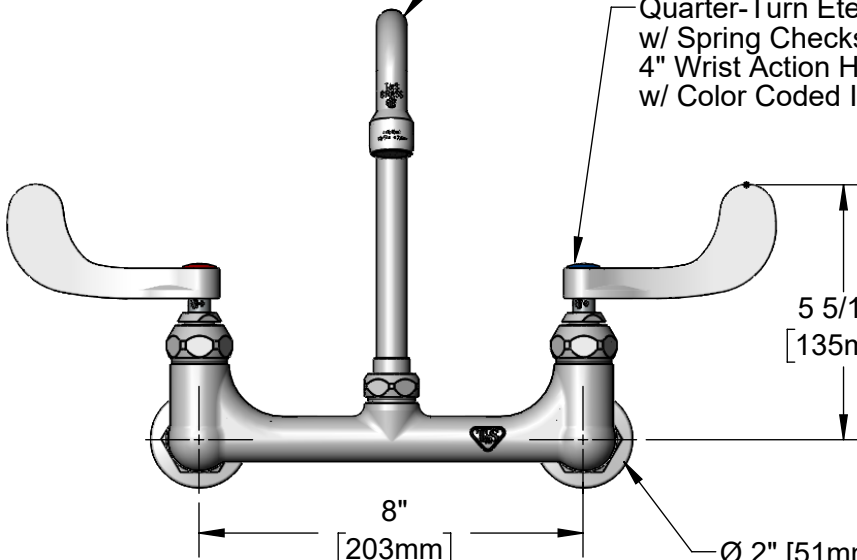
Contractor \_\_\_\_\_

Architect/Engineer \_\_\_\_\_



Swivel Gooseneck w/  
B-0199-01-F12  
1.2 GPM Aerator  
Converts to Rigid w/  
014200-45  
Lock Washer (Included).

Quarter-Turn Eterna Cartridges  
w/ Spring Checks &  
4" Wrist Action Handles  
w/ Color Coded Indexes



Adjustable From  
7 3/4" to 8 1/4"  
[197mm to 210mm]

Ø 2" [51mm]  
Flanges w/  
1/2" NPT  
Female Inlets

Mounting Surface

**Product Specifications:**

8" Wall Mount Mixing Faucet, Quarter-Turn Eterna Cartridges w/ Spring Checks, Swivel/Rigid Gooseneck w/ 1.2 GPM Aerator, 4" Wrist Action Handles & 1/2" NPT Female Inlets

**Product Compliance:**

ASME A112.18.1 / CSA B125.1  
NSF 61 - Section 9  
NSF 372 (Low Lead Content)  
ANSI A117.1 (ADA)  
EPA WaterSense



# T&S BRASS AND BRONZE WORKS, INC.

2 Saddleback Cove / P.O. Box 1088  
Travelers Rest, SC 29690

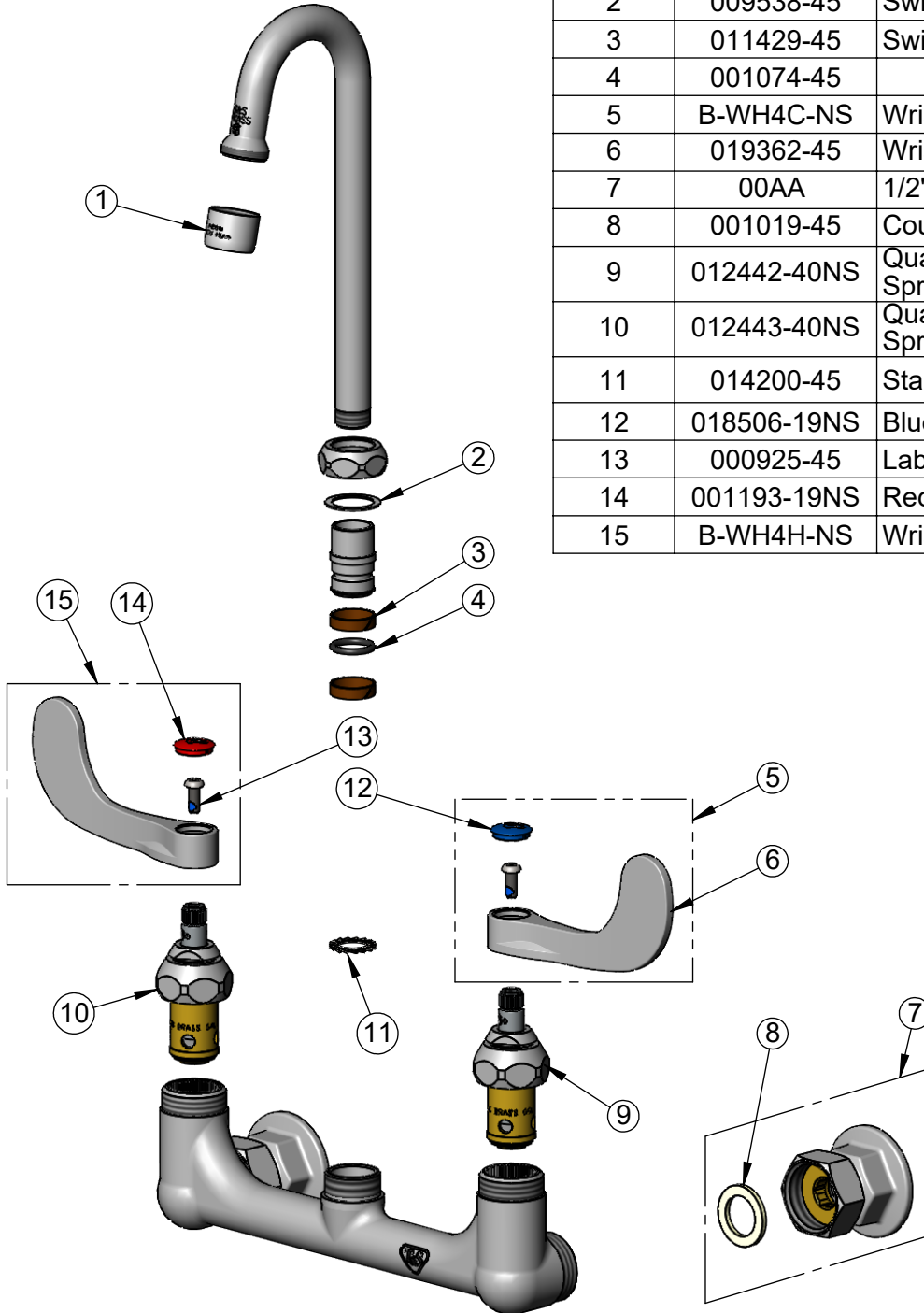
Model No.

**B-0330-01-W4F12**

Item No.

Travelers Rest, SC: 800-476-4103 • Simi Valley, CA: 800-423-0150 • Fax: 864-834-3518 • www.tsbrass.com

ITEM NO.	SALES NO.	DESCRIPTION
1	B-0199-01-F12	1.2 GPM Aerator, 55/64-27 UN Female
2	009538-45	Swivel Washer
3	011429-45	Swivel Sleeves (2)
4	001074-45	
5	B-WH4C-NS	Wrist Action Handle, Blue Index & Screw
6	019362-45	Wrist Action Handle - New Style
7	00AA	1/2" NPT Female Eccentric Flange
8	001019-45	Coupling Nut Washer
9	012442-40NS	Quarter-Turn Eterna Cartridge, LTC w/ Spring Check
10	012443-40NS	Quarter-Turn Eterna Cartridge, RTC w/ Spring Check
11	014200-45	Star Washer, Anti-Rotation
12	018506-19NS	Blue Button Index, Press-in
13	000925-45	Lab Handle Screw
14	001193-19NS	Red Button Index, Press-in
15	B-WH4H-NS	Wrist Action Handle, Red Index & Screw



**Product Specifications:**

8" Wall Mount Mixing Faucet, Quarter-Turn Eterna Cartridges w/ Spring Checks, Swivel/Rigid Gooseneck w/ 1.2 GPM Aerator, 4" Wrist Action Handles & 1/2" NPT Female Inlets

**Product Compliance:**

ASME A112.18.1 / CSA B125.1  
NSF 61 - Section 9  
NSF 372 (Low Lead Content)  
ANSI A117.1 (ADA)  
EPA WaterSense