



T&S BRASS AND BRONZE WORKS, INC.

2 Saddleback Cove / P.O. Box 1088
Travelers Rest, SC 29690

Model No.

B-0305-CR

Item No.

Travelers Rest, SC: 800-476-4103 • Simi Valley, CA: 800-423-0150 • Fax: 864-834-3518 • www.tsbrass.com



ADA Compliant

This Space for Architect/Engineer Approval

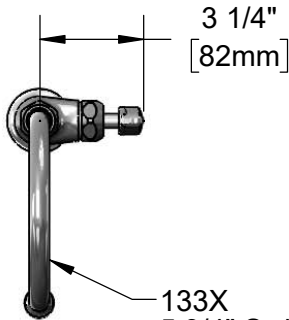
Job Name _____ Date _____

Model Specified _____ Quantity _____

Customer/Wholesaler _____

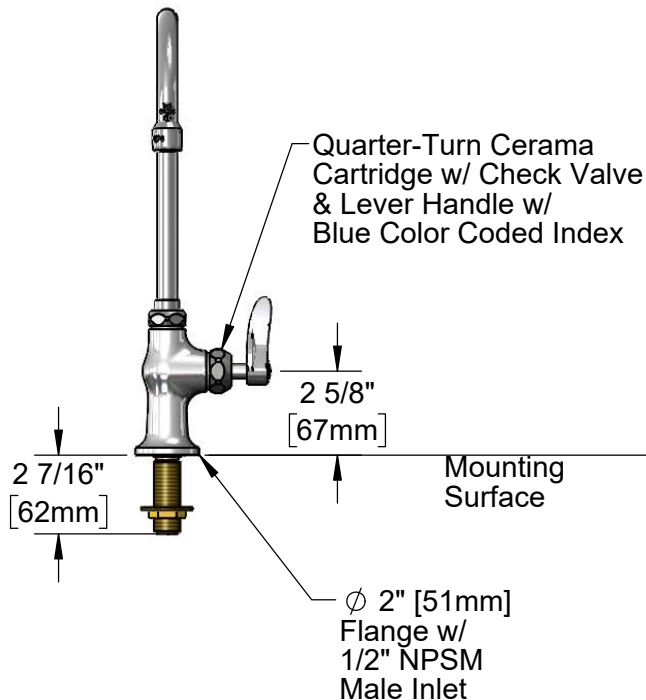
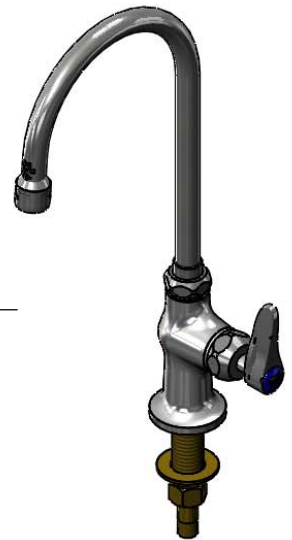
Contractor _____

Architect/Engineer _____



3 1/4"
[82mm]

133X
5 3/4" Swivel Gooseneck
w/ Stream Regulator Outlet.
Converts to Rigid w/
014200-45 Lock Washer
(Included)



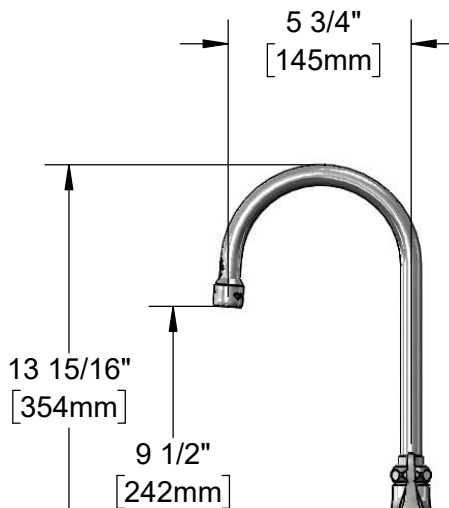
Quarter-Turn Cerama
Cartridge w/ Check Valve
& Lever Handle w/
Blue Color Coded Index

2 5/8"
[67mm]

2 7/16"
[62mm]

Mounting
Surface

Ø 2" [51mm]
Flange w/
1/2" NPSM
Male Inlet



5 3/4"
[145mm]

13 15/16"
[354mm]

9 1/2"
[242mm]

150A
Optional Tailpiece & Nut
For 1/4" NPT Connection
(Included)

1 5/8"
[41mm]
Maximum
Thickness

Rough-In Requirement:
Ø 1" [25mm] Mounting Hole

Product Specifications:
Single Hole Single Temperature Deck Mount Faucet, Quarter-Turn Cerama
Cartridge w/ Check Valve, Lever Handle, 5 3/4" Swivel/Rigid Gooseneck &
1/2" NPSM Male Inlet

Product Compliance:
ASME A112.18.1 / CSA B125.1
NSF 61 - Section 9
NSF 372 (Low Lead Content)
ANSI A117.1 (ADA)

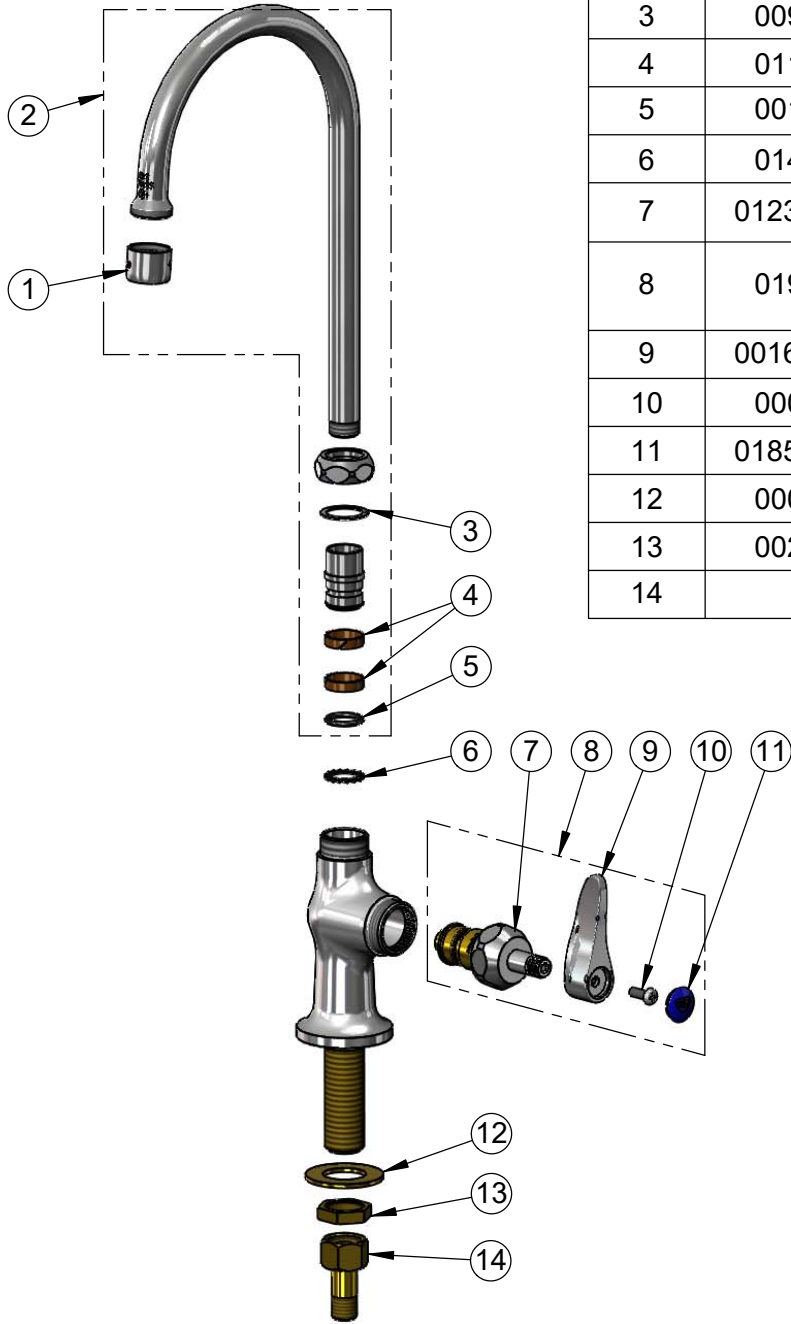


T&S BRASS AND BRONZE WORKS, INC.
 2 Saddleback Cove / P.O. Box 1088
 Travelers Rest, SC 29690

Model No.
B-0305-CR

Item No.

Travelers Rest, SC: 800-476-4103 • Simi Valley, CA: 800-423-0150 • Fax: 864-834-3518 • www.tsbrass.com



ITEM NO.	SALES NO.	DESCRIPTION
1	B-PT	Stream Regulator Outlet
2	133X	6" Swivel Gooseneck
3	009538-45	Swivel Washer
4	011429-45	Swivel Sleeves (2)
5	001074-45	O-Ring
6	014200-45	Star Washer, Anti-Rotation
7	012394-25NS	Quarter-Turn Cerama Cartridge w/ Check Valve, RTC
8	019641-25	Quarter-Turn Cerama Cartridge RTC w/ Check Valve, Handle, Blue Index & Screw
9	001638-45NS	Lever Handle (New Style)
10	000925-45	Lab Handle Screw
11	018506-19NS	Blue Button Index, Press-in
12	000999-45	Brass Lock Washer
13	002954-45	Shank Lock Nut
14	150A	1/4" NPT Tailpiece & Nut

Product Specifications:
 Single Hole Single Temperature Deck Mount Faucet, Quarter-Turn Cerama Cartridge w/ Check Valve, Lever Handle, 5 3/4" Swivel/Rigid Gooseneck & 1/2" NPSM Male Inlet

Product Compliance:
 ASME A112.18.1 / CSA B125.1
 NSF 61 - Section 9
 NSF 372 (Low Lead Content)
 ANSI A117.1 (ADA)