



T&S BRASS AND BRONZE WORKS, INC.

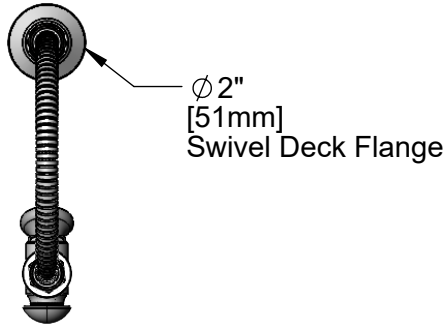
2 Saddleback Cove / P.O. Box 1088
Travelers Rest, SC 29690

Model No.

B-0101-B

Item No.

Travelers Rest, SC: 800-476-4103 • Simi Valley, CA: 800-423-0150 • Fax: 864-834-3518 • www.tsbrass.com



Ø 2"
[51mm]
Swivel Deck Flange

This Space for Architect/Engineer Approval

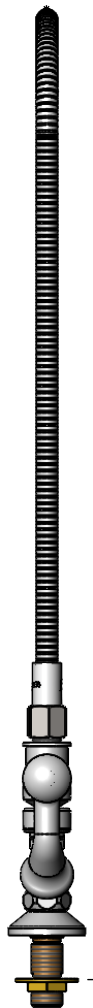
Job Name _____ Date _____

Model Specified _____ Quantity _____

Customer/Wholesaler _____

Contractor _____

Architect/Engineer _____

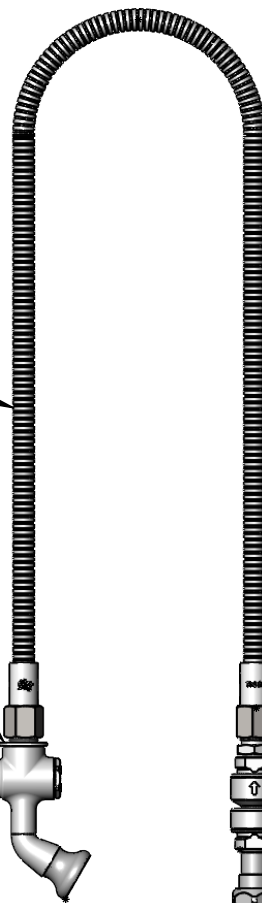


36" Flexible
Stainless Steel
Hose

Stainless Steel Washer
(Secures Spray Valve)

Push Button Spray Valve w/
B-0103
2.2 GPM Rosespray Outlet

1 1/8"
[29mm]
Maximum
Thickness



053A Adapter
Between Vacuum
Breaker and Hose

B-0970-FEZ
Continuous
Pressure Vacuum
Breaker

1/2" NPSM
Male Inlet

Product Specifications:

Spray Valve w/ 2.2 GPM Rosespray Outlet & 36" Flexible
Stainless Steel Hose w/ Adapter

Product Compliance:

ASME A112.18.1 / CSA B125.1
NSF 61 - Section 9
NSF 372 (Low Lead Content)
2019 DOE PRSV Non-Compliant
Product Not Designed/Intended for
Commercial Warewashing in North America



T&S BRASS AND BRONZE WORKS, INC.

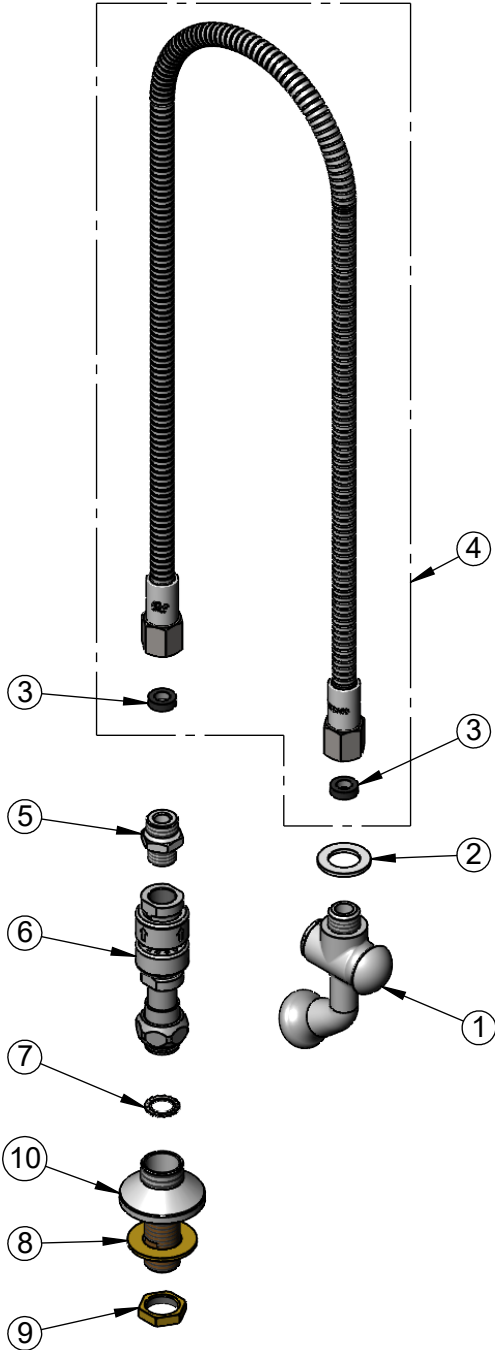
2 Saddleback Cove / P.O. Box 1088
Travelers Rest, SC 29690

Model No.

B-0101-B

Item No.

Travelers Rest, SC: 800-476-4103 • Simi Valley, CA: 800-423-0150 • Fax: 864-834-3518 • www.tsbrass.com



ITEM NO.	SALES NO.	DESCRIPTION
1	002857-40	Spray Valve Assembly w/ 2.2 GPM Rosespray Outlet
2	001010-40	Washer, Stainless Steel
3	010476-45	#27 Washer
4	013E-36H	36" Flexible Stainless Steel Hose
5	053A	Adapter, 3/8" NPT x 3/4-14UN
6	B-0970-FEZ	Vacuum Breaker
7	014200-45	Star Washer, Anti-Rotation
8	000999-45	Brass Lock Washer
9	002954-45	Shank Lock Nut
10	B-0431	Swivel Base Flange

Product Specifications:

Spray Valve w/ 2.2 GPM Rosespray Outlet & 36" Flexible Stainless Steel Hose w/ Adapter

Product Compliance:

ASME A112.18.1 / CSA B125.1
NSF 61 - Section 9
NSF 372 (Low Lead Content)
2019 DOE PRSV Non-Compliant
Product Not Designed/Intended for
Commercial Warewashing in North America