



T&S BRASS AND BRONZE WORKS, INC.

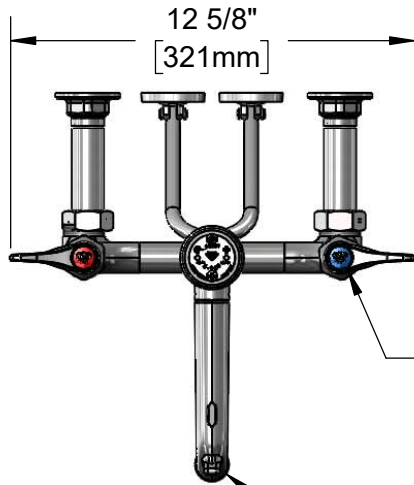
2 Saddleback Cove / P.O. Box 1088
Travelers Rest, SC 29690

Model No.

B-0655-POL

Item No.

Travelers Rest, SC: 800-476-4103 • Simi Valley, CA: 800-423-0150 • Fax: 864-834-3518 • www.tsbrass.com



ADA Compliant

This Space for Architect/Engineer Approval

Job Name _____ Date _____

Model Specified _____ Quantity _____

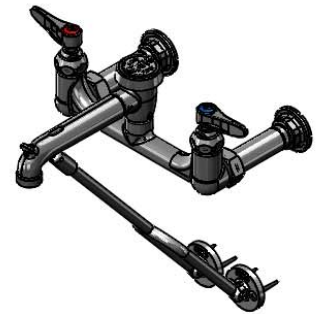
Customer/Wholesaler _____

Contractor _____

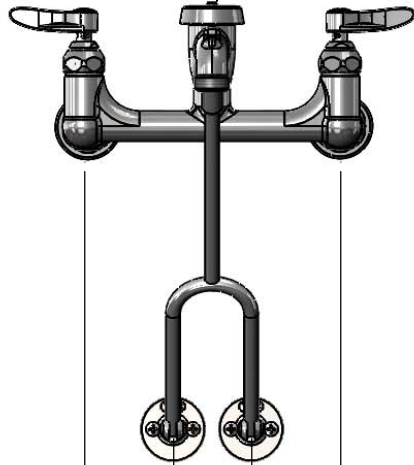
Architect/Engineer _____

Quarter-Turn Eterna Cartridges w/ Spring Checks & Lever Handles w/ Color Coded Indexes

Garden Hose Male Outlet



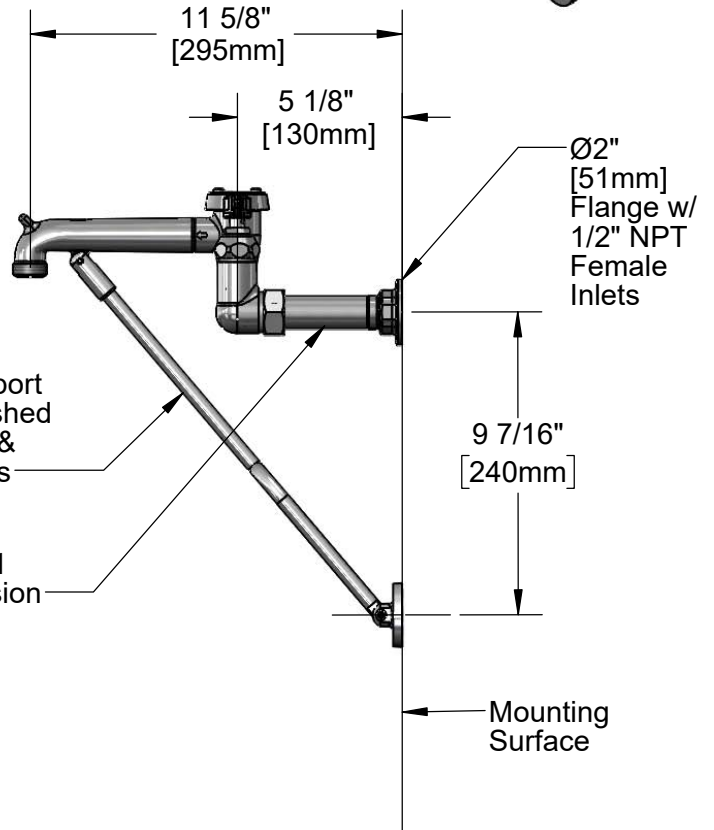
B-0969
1/2"NPT
Vacuum Breaker



2 7/16"
[62mm]

8"
[203mm]

Adjustable from
7 3/4" to 8 1/4"
[197mm to 210mm]



Lower Wall Support
Assembly Furnished
w/ Wall Bracket &
Mounting Screws

B-0441
Extension

Ø2"
[51mm]
Flange w/
1/2" NPT
Female
Inlets

9 7/16"
[240mm]

Mounting
Surface

Product Specifications:

8" Wall Support Service Sink, Quarter-Turn Eterna Cartridges w/ Spring Checks, Lever Handles, Polished Chrome Finish, 1/2" NPT Vacuum Breaker, Lower Support Rod, 1/2" NPT Extended Inlets & Garden Hose Outlet

Product Compliance:

ASME A112.18.1 / CSA B125.1
NSF 61 - Section 9
NSF 372 (Low Lead Content)
ASSE 1001 (VB)
ANSI A117.1 (ADA)



T&S BRASS AND BRONZE WORKS, INC.

2 Saddleback Cove / P.O. Box 1088
Travelers Rest, SC 29690

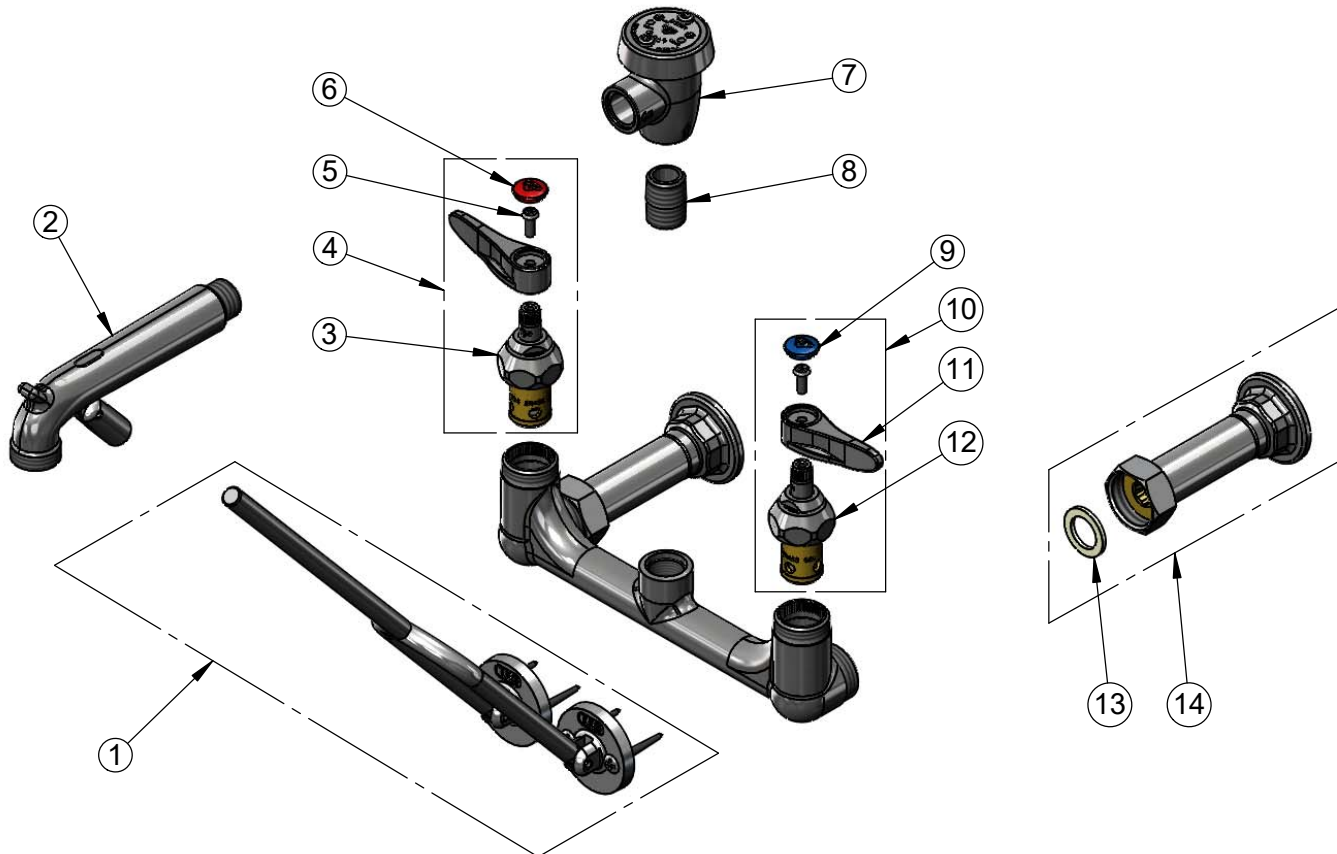
Model No.

B-0655-POL

Item No.

Travelers Rest, SC: 800-476-4103 • Simi Valley, CA: 800-423-0150 • Fax: 864-834-3518 • www.tsbrass.com

ITEM NO.	SALES NO.	DESCRIPTION
1	009616-40	Lower Wall Support Assembly w/ Mounting Screws
2	016450-40	Spout Assembly Polish Chrome w/ Bottom Support Clevis
3	012443-40NS	Quarter-Turn Eterna Cartridge w/ Spring Check, RTC
4	002712-40NS	Quarter-Turn Eterna Cartridge w/ Spring Check, Handle, Red Index & Screw, RTC
5	000925-45	Lab Handle Screw </td
6	001193-19NS	Red Button Index, Press-in
7	B-0969	1/2" NPT Vacuum Breaker
8	002534-25	Close Nipple, 1/2" NPT
9	018506-19NS	Blue Button Index, Press-in
10	002711-40NS	Quarter-Turn Eterna Cartridge w/ Spring Check, Handle, Blue Index & Screw, LTC
11	001638-45NS	Lever Handle (New Style)
12	012442-40NS	Quarter-Turn Eterna Cartridge w/ Spring Check, LTC
13	001019-45	Coupling Nut Washer
14	B-0441	1/2" x 4" Extension Flange Inlet



Product Specifications:

8" Wall Support Service Sink, Quarter-Turn Eterna Cartridges w/ Spring Checks, Lever Handles, Polished Chrome Finish, 1/2" NPT Vacuum Breaker, Lower Support Rod, 1/2" NPT Extended Inlets & Garden Hose Outlet

Product Compliance:

ASME A112.18.1 / CSA B125.1
NSF 61 - Section 9
NSF 372 (Low Lead Content)
ASSE 1001 (VB)
ANSI A117.1 (ADA)