



# T&S BRASS AND BRONZE WORKS, INC.

2 Saddleback Cove / P.O. Box 1088  
Travelers Rest, SC 29690

Model No.

**B-0664-05**

Item No.

Travelers Rest, SC: 800-476-4103 • Simi Valley, CA: 800-423-0150 • Fax: 864-834-3518 • www.tsbrass.com



**ADA Compliant**

This Space for Architect/Engineer Approval

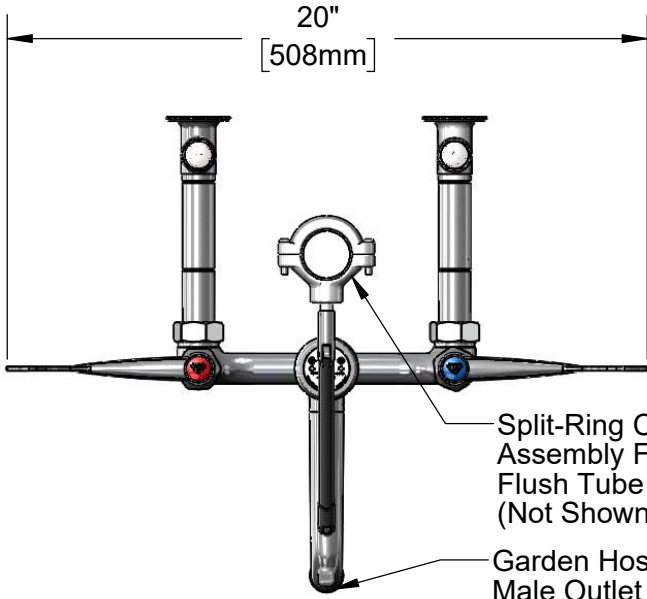
Job Name \_\_\_\_\_ Date \_\_\_\_\_

Model Specified \_\_\_\_\_ Quantity \_\_\_\_\_

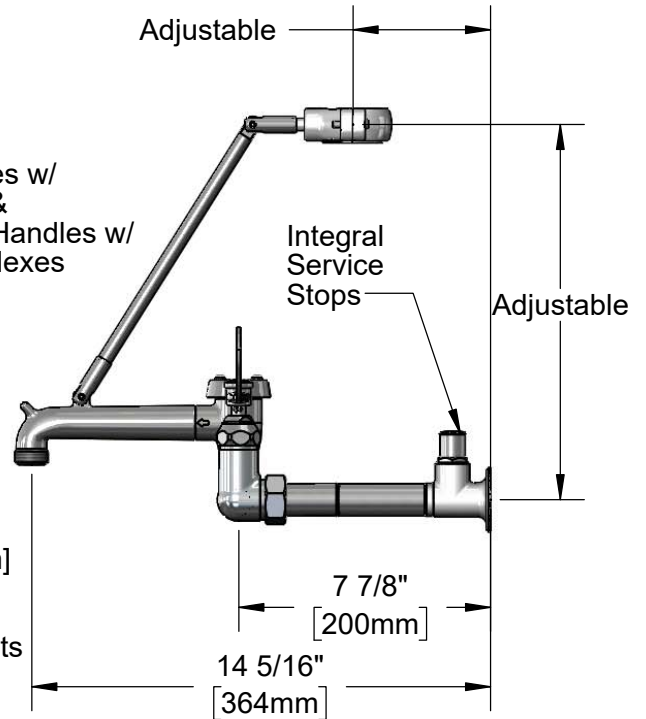
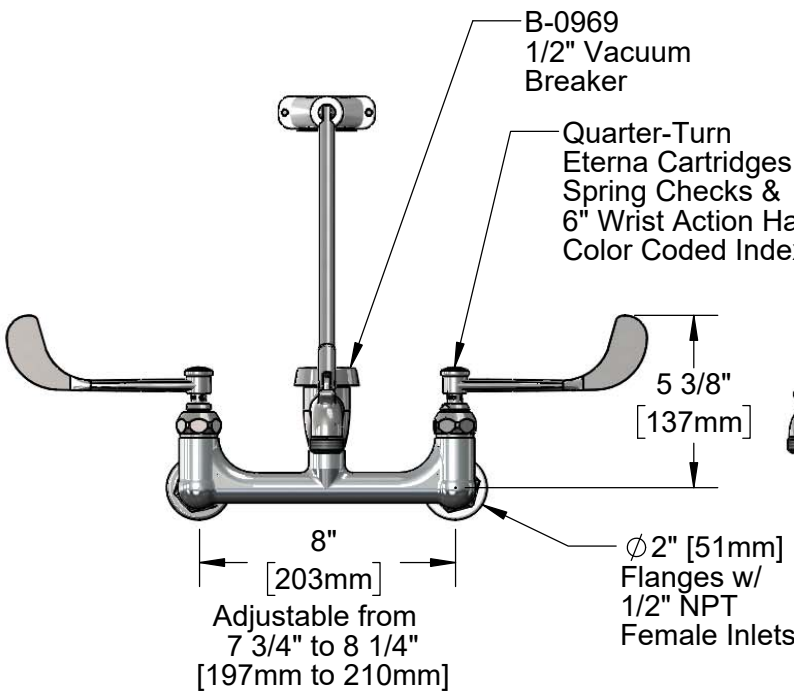
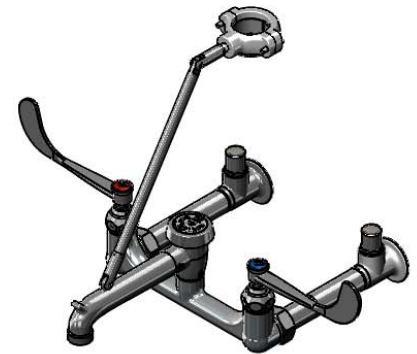
Customer/Wholesaler \_\_\_\_\_

Contractor \_\_\_\_\_

Architect/Engineer \_\_\_\_\_



Split-Ring Clamp Upper Assembly Fastens to  $\varnothing$  1 1/2" O.D. Flush Tube (Not Shown)  
Garden Hose Male Outlet



**Product Specifications:**

8" Wall Mount Service Sink Faucet, Quarter-Turn Eterna Cartridges with Spring Checks, Split-Ring Lower Support Clamp for use on  $\varnothing$  1 1/2" Flush Tubes, 4" Wrist Handles, Polished Chrome Finish, Vacuum Breaker, 1/2" NPT Female Inlets, Integral Service Stops & Garden Hose Male Outlet

**Product Compliance:**

ASME A112.18.1 / CSA B125.1  
NSF 61 - Section 9  
NSF 372 (Low Lead Content)  
ANSI A117.1 (ADA)  
ASSE 1001 (VB)



# T&S BRASS AND BRONZE WORKS, INC.

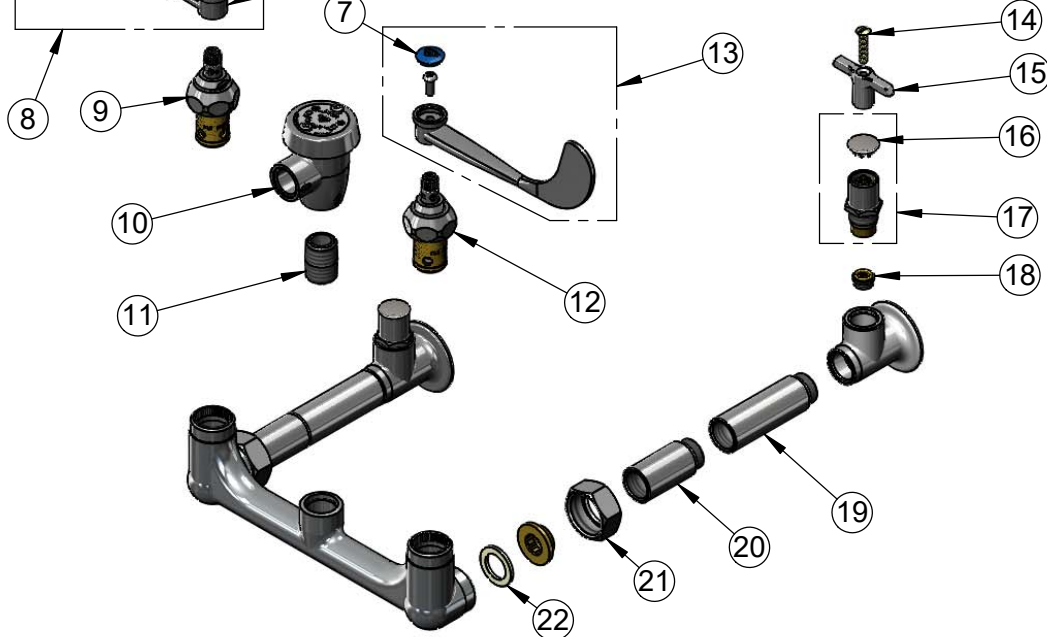
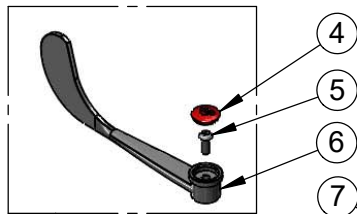
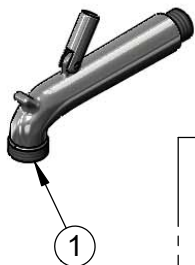
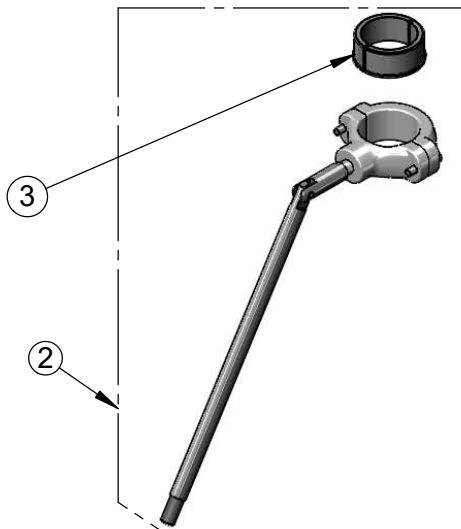
2 Saddleback Cove / P.O. Box 1088  
Travelers Rest, SC 29690

Model No.

**B-0664-05**

Item No.

Travelers Rest, SC: 800-476-4103 • Simi Valley, CA: 800-423-0150 • Fax: 864-834-3518 • www.tsbrass.com



ITEM NO.	SALES NO.	DESCRIPTION
1	009545-40	Spout w/ Clevis Assembly
2	016449-40	Split-Ring Clamp Upper Assembly
3	016863-20	Clamp Split Bushing (Set of 2 halves)
4	001193-19NS	Red Button Index, Press-in
5	000925-45	Lab Handle Screw
6	B-WH6	6" Wrist Action Handle
7	018506-19NS	Blue Button Index, Press-in
8	B-WH6H-NS	6" Wrist Action Handle, Red Index & Screw
9	012443-40NS	Quarter-Turn Eterna Cartridge w/ Spring Check, RTC
10	B-0969	1/2" NPT Vacuum Breaker
11	002534-25	Close Nipple, 1/2" NPT
12	012442-40NS	Quarter-Turn Eterna Cartridge w/ Spring Check, LTC
13	B-WH6C-NS	6" Wrist Action Handle, Blue Index & Screw
14	002432-45	Screw, Tee Handle
15	001802-45	Handle, Supply Stop "T"
16	001605-45	Cap
17	002892-40	Spindle Asm w/ Cap
18	000763-20	Seat
19	000610-25	Extension, 2 3/4" Long
20	000611-25	Extension, 1 3/4" Long
21	000721-25	Flange Coupling Nut
22	001019-45	Coupling Nut Washer

**Product Specifications:**

8" Wall Mount Service Sink Faucet, Quarter-Turn Eterna Cartridges with Spring Checks, Split-Ring Lower Support Clamp for use on Ø 1 1/2" Flush Tubes, 4" Wrist Handles, Polished Chrome Finish, Vacuum Breaker, 1/2" NPT Female Inlets, Integral Service Stops & Garden Hose Male Outlet

**Product Compliance:**

ASME A112.18.1 / CSA B125.1  
NSF 61 - Section 9  
NSF 372 (Low Lead Content)  
ANSI A117.1 (ADA)  
ASSE 1001 (VB)