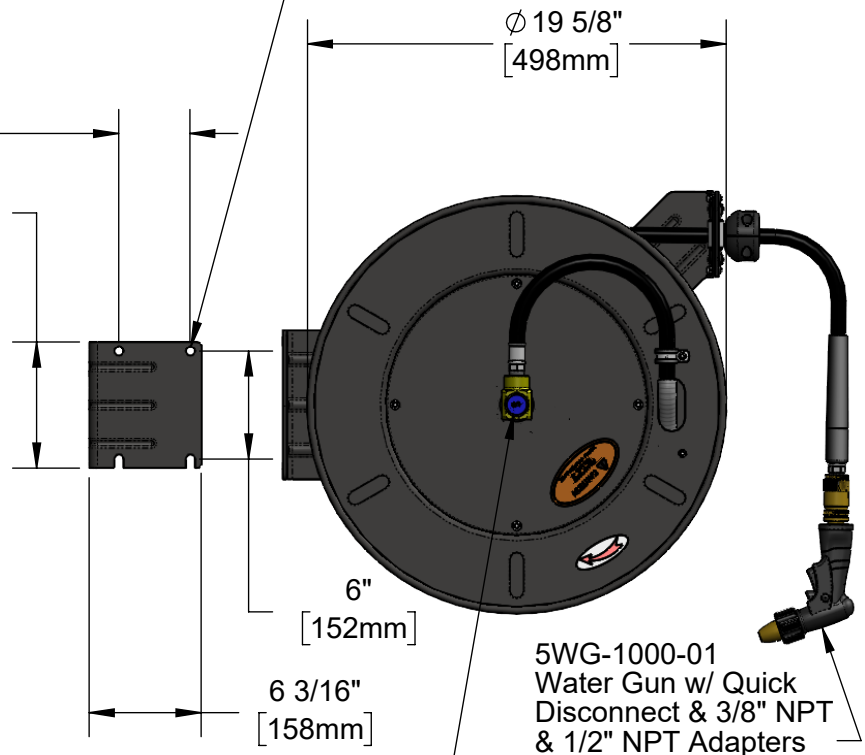
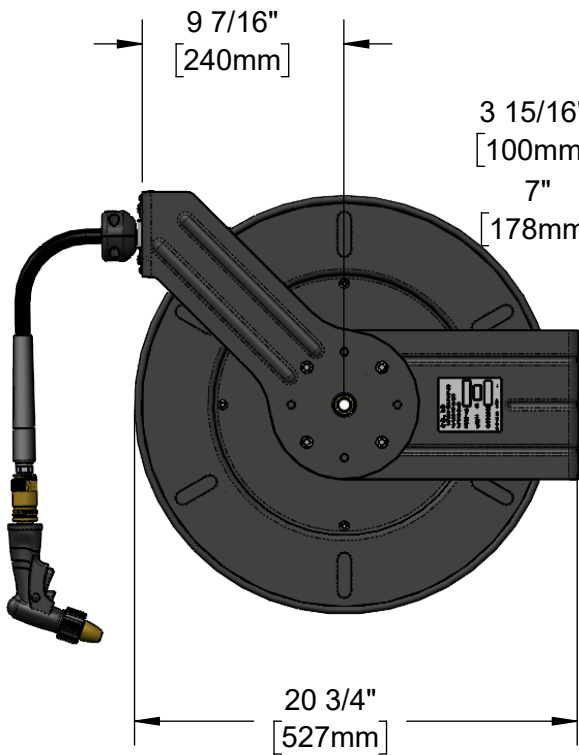
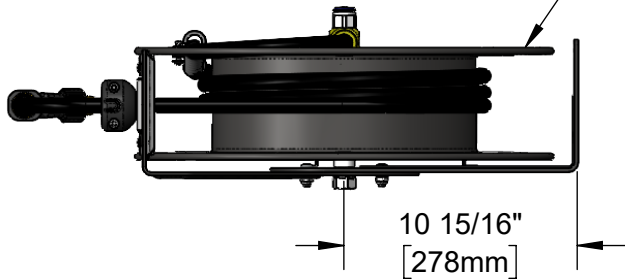


*This Space for Architect/Engineer Approval*

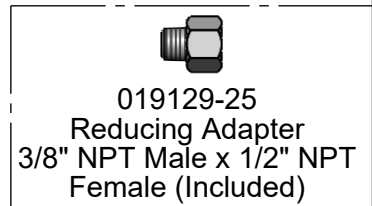
Job Name \_\_\_\_\_ Date \_\_\_\_\_  
 Model Specified \_\_\_\_\_ Quantity \_\_\_\_\_  
 Customer/Wholesaler \_\_\_\_\_  
 Contractor \_\_\_\_\_  
 Architect/Engineer \_\_\_\_\_



Epoxy Coated Steel w/  $\varnothing 3/8"$  x 50' Hose



Stainless Steel Shaft & Brass Swivel w/ 3/8" NPT Female Inlet (Left Side of Reel)



Model Number  
**5HR-242-09-A**

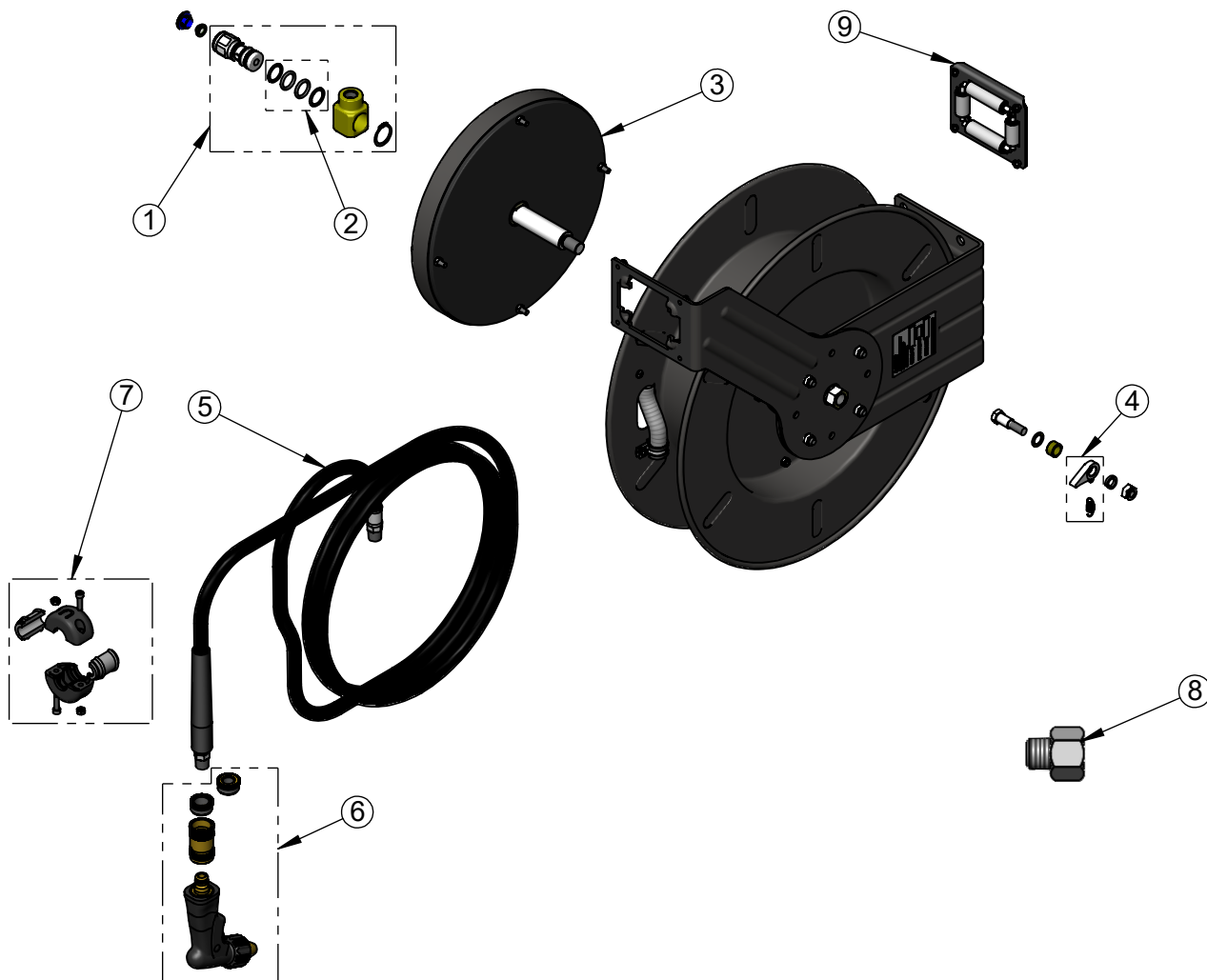
Product Specifications:  
 Epoxy Coated Steel, Open Hose Reel w/  $\varnothing 3/8"$  x 50' Hose, Reducing Adapter & Water Gun w/ Adapters

Product Compliance:  
 EPAAct 2005 Non-Compliant (PRSV)  
 NSF 61 Exempt (Non-Potable)

equip Foodservice Accessories

2 Saddleback Cove, P.O. Box 1088  
 Travelers Rest, South Carolina 29690  
 Phone: 800.891.4808 Fax: 800.868.0084  
 equip.tsbrass.com

ITEM NO.	SALES NO.	DESCRIPTION
1	5HR-2SA	Complete 3/8" Swivel
2	014948-45	Seal Kit
3	G016684-45	Spring
4	014940-45	Ratchet Repair Kit
5	5HR-2HSE-50	Ø 3/8" x 50' Hose
6	5WG-1000-01	equip Water Gun w/ QD, 3/8" NPT & 1/2" NPT Adapters
7	019246-45	Hose Stop Repair Kit
8	019129-25	Reducing Adapter, 3/8" NPT Male x 1/2" NPT Female
9	G016635-45	Roller Kit



Model Number

**5HR-242-09-A**

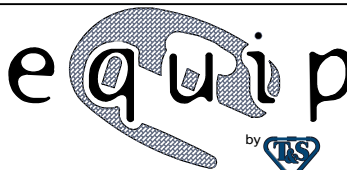
Product Specifications:

Epoxy Coated Steel, Open Hose Reel  
w/ Ø3/8" x 50' Hose, Reducing Adapter &  
Water Gun w/ Adapters

Product Compliance:

EPA 2005 Non-Compliant (PRSV)  
NSF 61 Exempt (Non-Potable)

equip  
Foodservice  
Accessories



2 Saddleback Cove, P.O. Box 1088  
Travelers Rest, South Carolina 29690  
Phone: 800.891.4808 Fax: 800.868.0084  
equip.tsbrass.com