



T&S BRASS AND BRONZE WORKS, INC.
 2 Saddleback Cove / P.O. Box 1088
 Travelers Rest, SC 29690

Model No.
017925-40

Item No.

Travelers Rest, SC: 800-476-4103 • Simi Valley, CA: 800-423-0150 • Fax: 864-834-3518 • www.tsbrass.com

This Space for Architect/Engineer Approval

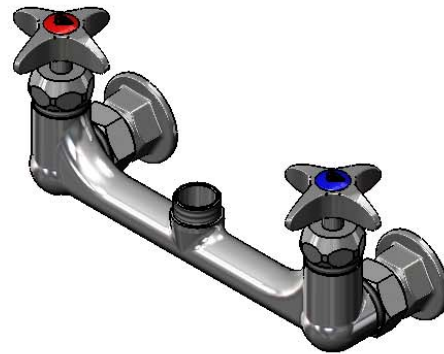
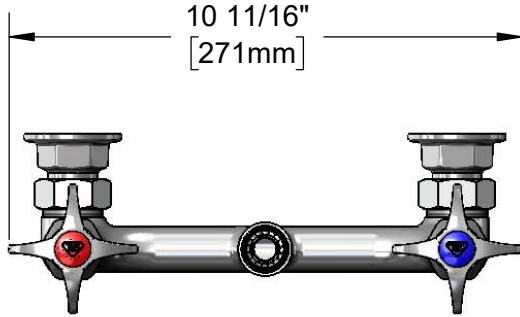
Job Name _____ Date _____

Model Specified _____ Quantity _____

Customer/Wholesaler _____

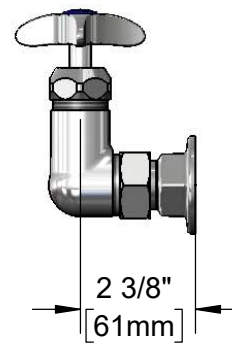
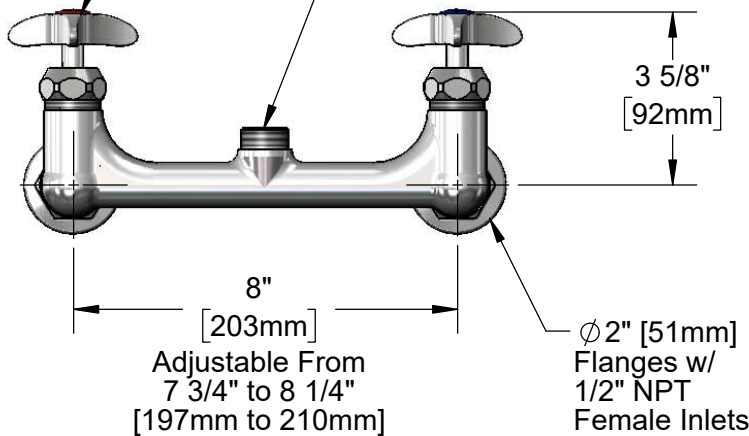
Contractor _____

Architect/Engineer _____



Quarter-Turn Cerama Cartridges
 w/ Check Valves &
 4-Arm Handles w/
 Color Coded Indexes

Swivel Outlet Accepts
 Standard T&S Swing Nozzles
 & EasyInstall Risers.
 Includes Lock Washer for
 Rigid Outlets.



Product Specifications:

8" Center Wall Mount Mixing Faucet, Quarter-Turn Cerama Cartridges, w/ Check Valves, 4-Arm Handles & 1/2" NPT Female Inlets

Product Compliance:

ASME A112.18.1 / CSA B125.1
 NSF 61 -Section 9
 NSF 372 (Low Lead Content)
 ANSI A117.1 (ADA)



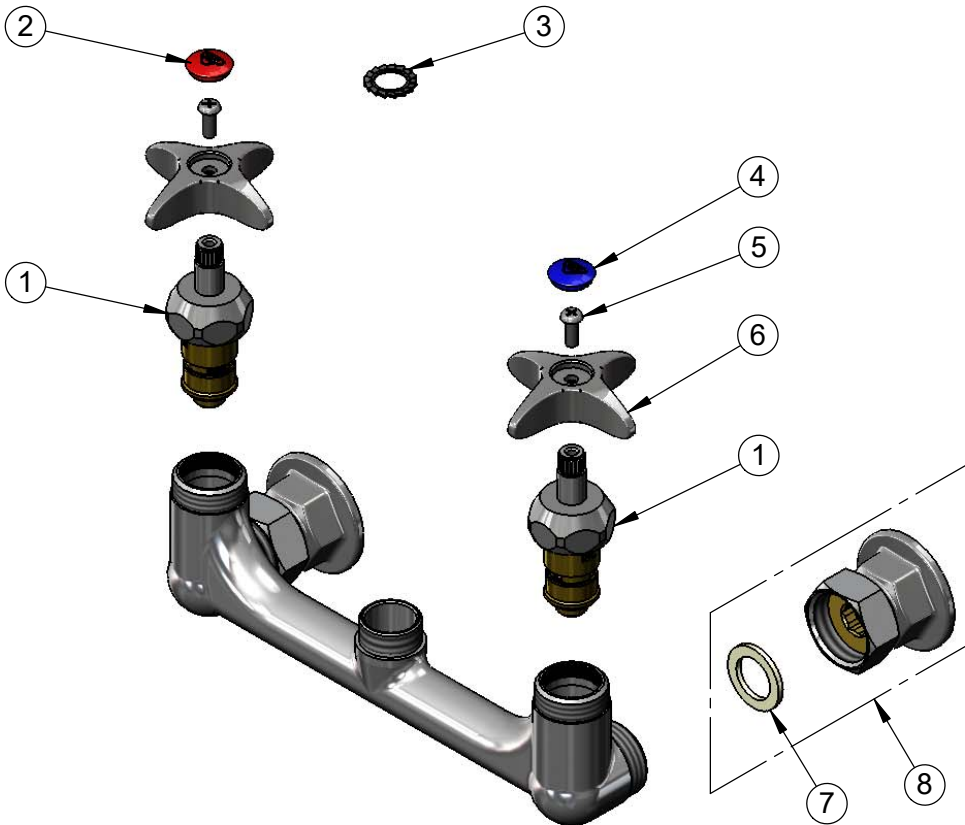
T&S BRASS AND BRONZE WORKS, INC.
 2 Saddleback Cove / P.O. Box 1088
 Travelers Rest, SC 29690

Model No.
017925-40

Item No.

Travelers Rest, SC: 800-476-4103 • Simi Valley, CA: 800-423-0150 • Fax: 864-834-3518 • www.tsbrass.com

ITEM NO.	SALES NO.	DESCRIPTION
1	012394-25NS	Quarter-Turn Cerama Cartridge w/ Check Valve, RTC
2	001193-19NS	Red Button Index, Press-in
3	014200-45	Star Washer, Anti-Rotation
4	018506-19NS	Blue Button Index, Press-in
5	000925-45	Lab Handle Screw
6	002521-45NS	4-Arm Handle (New Style)
7	001019-45	Coupling Nut Washer
8	00AA	1/2" NPT Female Eccentric Flange



Product Specifications:
 8" Center Wall Mount Mixing Faucet, Quarter-Turn Cerama Cartridges, w/
 Check Valves, 4-Arm Handles & 1/2" NPT Female Inlets

Product Compliance:
 ASME A112.18.1 / CSA B125.1
 NSF 61 -Section 9
 NSF 372 (Low Lead Content)
 ANSI A117.1 (ADA)