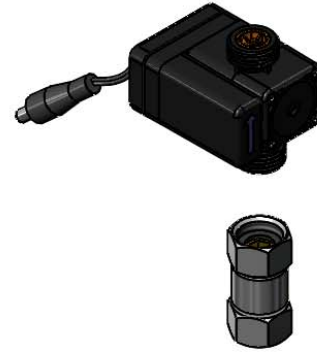
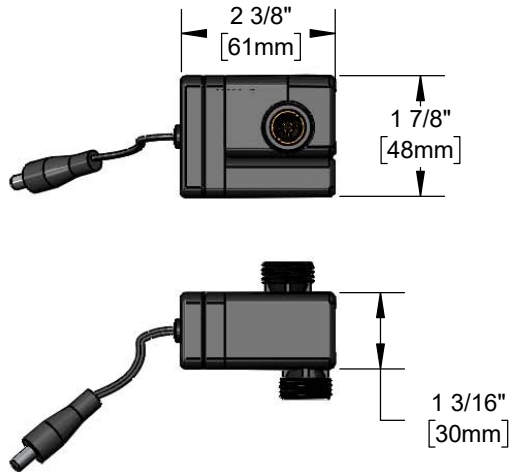




Architect/Engineering Specifications:

Low flow Hydro-Generator accessory package for ChekPoint electronic sensor faucet models with 1/2" NPSM male inlet and outlet. For use with flow rates from 0.5 GPM to 1.0 GPM max. Certified to ASME A112.18.1/CSA B125.1, NSF 61-Section 9 and NSF 372.

Job Name \_\_\_\_\_  
 Model Specified \_\_\_\_\_ Quantity \_\_\_\_\_  
 Variations Specified \_\_\_\_\_  
 Date \_\_\_\_\_



Features & Benefits:

- Low flow Hydro-Generator accessory for use with flow rates from 0.5 GPM to 1.0 GPM max.
- No AA batteries or AC adapter needed to supply power to faucet
- 1/2 NPSM swivel coupling included
- 1/2" NPSM male inlet & outlet
- 71" power cord w/ male plug to connect to control module

Product Compliance:

- ASME A112.18.1 / CSA B125.1
- NSF 61 - Section 9
- NSF 372 (Low Lead Content)



Warranty: Three Year (Limited)

Performance Data:

- Pressure: 20 - 125 psi [1.38 - 8.62 bar]
- Temperature: 40°F - 140°F [4.44°C - 60°C]
- Flow Rate Range: 0.5-1.0 GPM [ 1.90-3.79L/min] @ 60 psi [4.14 bar]

