



T&S BRASS AND BRONZE WORKS, INC.
 2 Saddleback Cove / P.O. Box 1088
 Travelers Rest, SC 29690

Model No.
009436-40

Item No.

Travelers Rest, SC: 800-476-4103 • Simi Valley, CA: 800-423-0150 • Fax: 864-834-3518 • www.tsbrass.com

This Space for Architect/Engineer Approval

Job Name _____ Date _____

Model Specified _____ Quantity _____

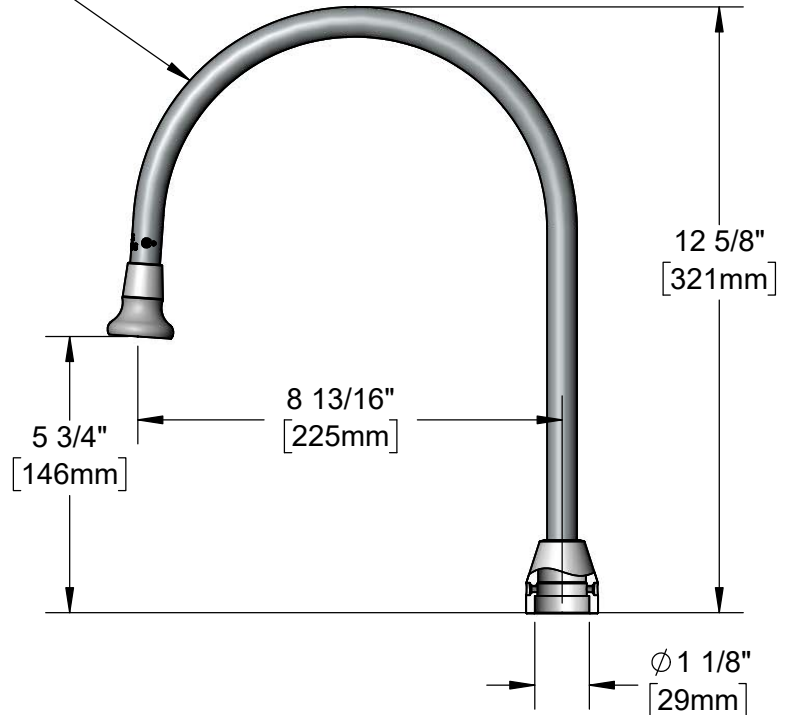
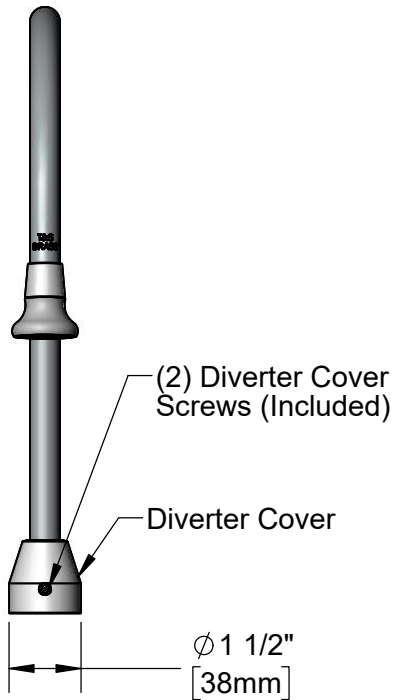
Customer/Wholesaler _____

Contractor _____

Architect/Engineer _____



8 3/4" Rigid
 Gooseneck w/
 B-0103
 2.2 GPM Rosespray
 Outlet



Product Specifications:
 Rigid Gooseneck w/ 2.2 GPM Rosespray Outlet & Diverter Cover

Product Compliance:
 ASME A112.18.1 / CSA B125.1
 NSF 61 - Section 9
 NSF 372 (Low Lead Content)



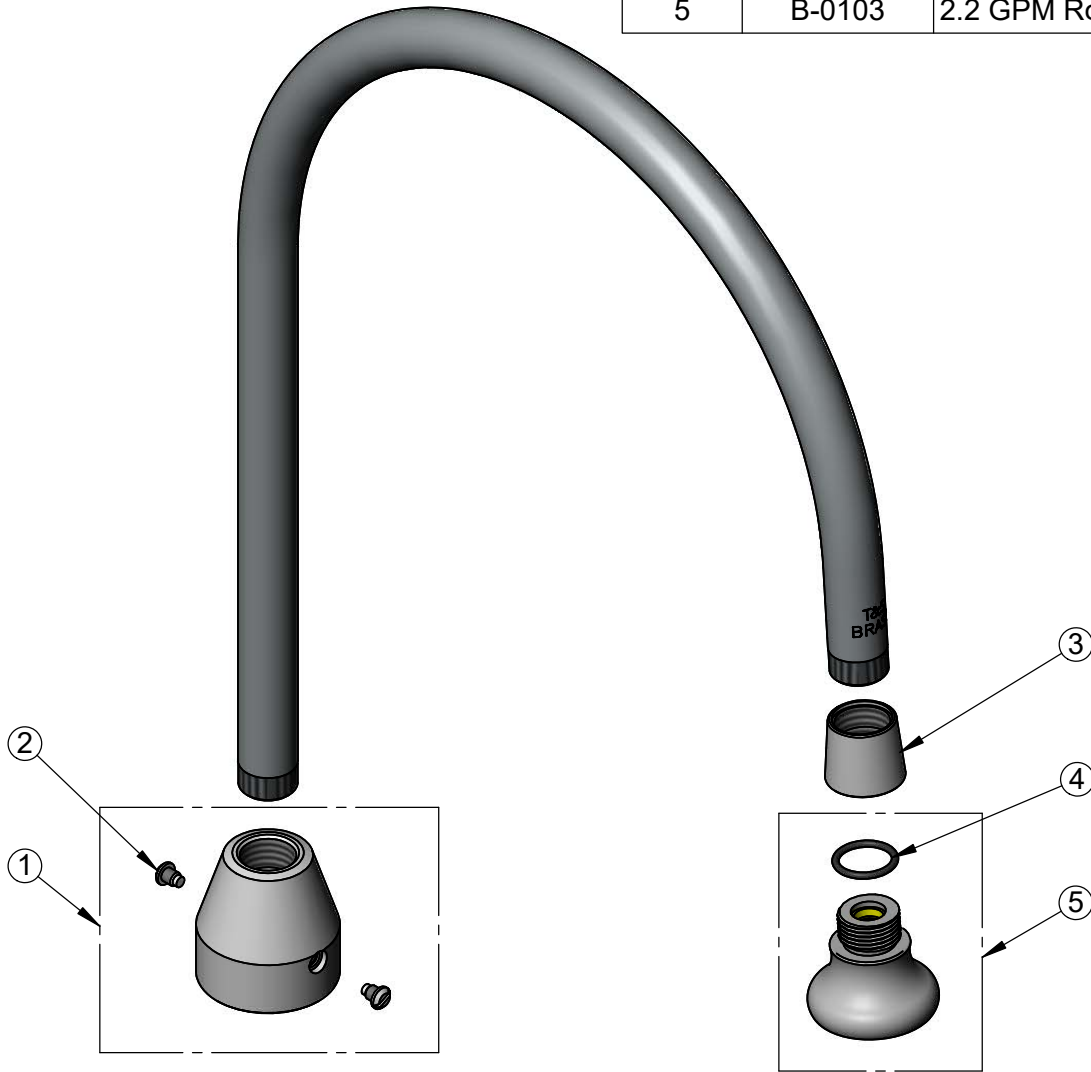
T&S BRASS AND BRONZE WORKS, INC.
 2 Saddleback Cove / P.O. Box 1088
 Travelers Rest, SC 29690

Model No.
009436-40

Item No.

Travelers Rest, SC: 800-476-4103 • Simi Valley, CA: 800-423-0150 • Fax: 864-834-3518 • www.tsbrass.com

ITEM NO.	SALES NO.	DESCRIPTION
1	001485-40K	Diverter Cover Assembly Kit
2	001486-45	Diverter Cover Screw
3	020205-40	Adapter, 5/8-27 UN x 3/8-18 NPSM
4	006575-45	-015 O-Ring
5	B-0103	2.2 GPM Rosespray, 3/8-18 NPT Male



Product Specifications:
 Rigid Gooseneck w/ 2.2 GPM Rosespray Outlet & Diverter Cover

Product Compliance:
 ASME A112.18.1 / CSA B125.1
 NSF 61 - Section 9
 NSF 372 (Low Lead Content)