



T&S BRASS AND BRONZE WORKS, INC.

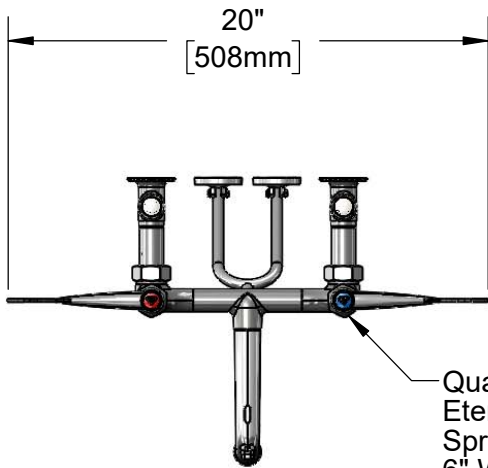
2 Saddleback Cove / P.O. Box 1088
Travelers Rest, SC 29690

Model No.

B-0664-02

Item No.

Travelers Rest, SC: 800-476-4103 • Simi Valley, CA: 800-423-0150 • Fax: 864-834-3518 • www.tsbrass.com



Quarter-Turn
Eterna Cartridges w/
Spring Checks &
6" Wrist Action Handles
w/ Color Coded Indexes

This Space for Architect/Engineer Approval

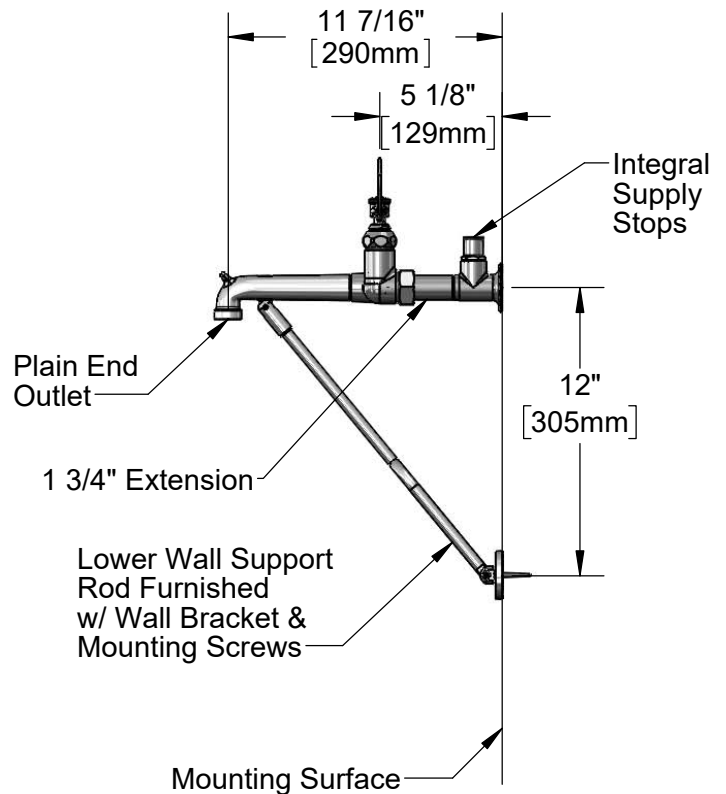
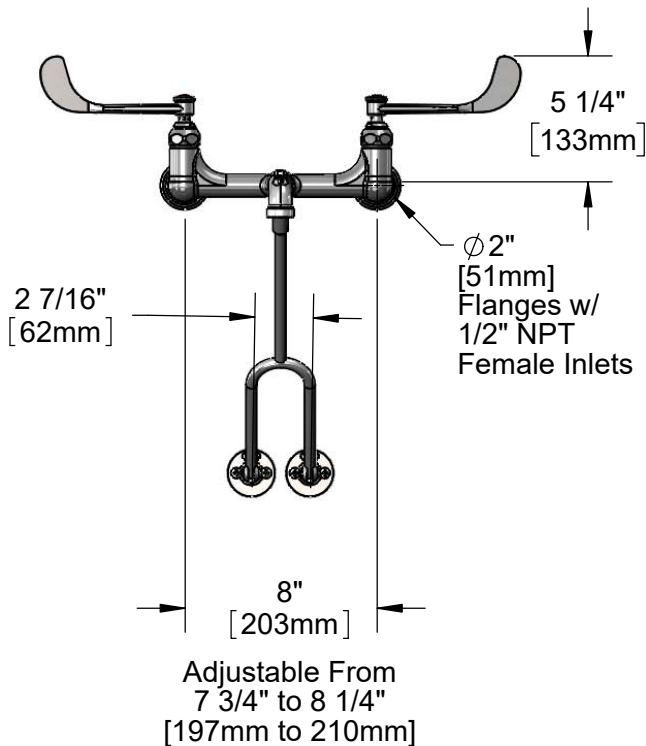
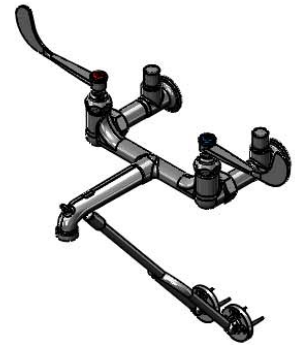
Job Name _____ Date _____

Model Specified _____ Quantity _____

Customer/Wholesaler _____

Contractor _____

Architect/Engineer _____



Product Specifications:

8" Wall Mount Service Sink Faucet, Quarter-Turn Eterna Cartridge w/ Spring Checks, 6" Wrist Action Handles, Lower Support Rod, Plain End Outlet, Polished Chrome Finish, 1/2" NPT Female Extension Inlets w/ Integral Supply Stops

Product Compliance:

ASME A112.18.1 / CSA B125.1
NSF 61 - Section 9
NSF 372 (Low Lead Content)
ANSI A117.1 (ADA)

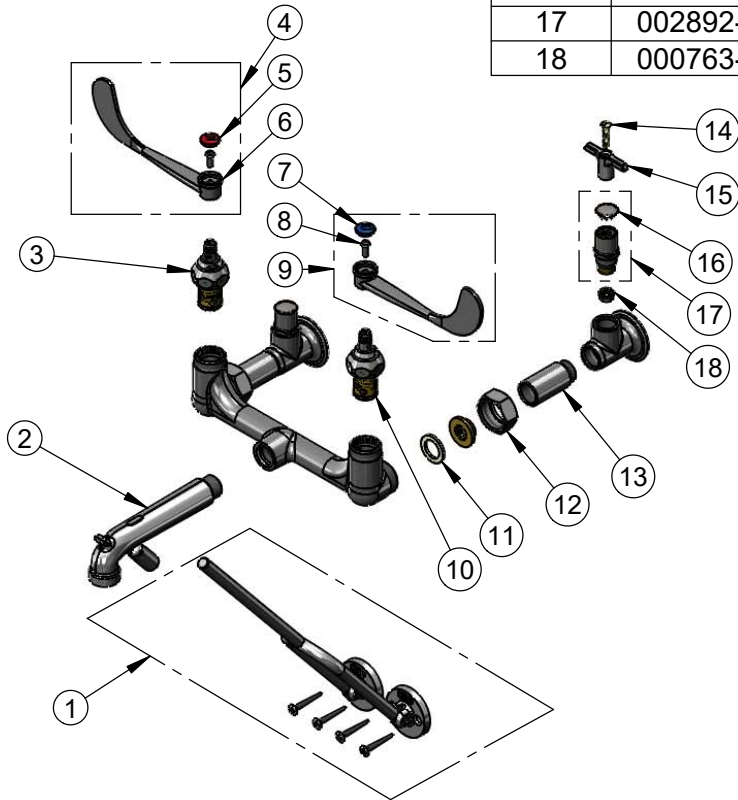


T&S BRASS AND BRONZE WORKS, INC.
 2 Saddleback Cove / P.O. Box 1088
 Travelers Rest, SC 29690

Model No.
B-0664-02
 Item No.

Travelers Rest, SC: 800-476-4103 • Simi Valley, CA: 800-423-0150 • Fax: 864-834-3518 • www.tsbrass.com

ITEM NO.	SALES NO.	DESCRIPTION
1	009616-40	Lower Support Rod w/ Mounting Screws
2	017535-40	Spout Assembly, Plain Outlet and Lower Clevis
3	012443-40NS	Quarter-Turn Eterna Cartridge w/ Spring Check, RTC
4	B-WH6H-NS	6" Wrist Action Handle, Red Index & Screw
5	001193-19NS	Red Button Index, Press-in
6	B-WH6	6" Wrist Action Handle
7	018506-19NS	Blue Button Index, Press-in
8	000925-45	Lab Handle Screw
9	B-WH6C-NS	6" Wrist Action Handle, Blue Index & Screw
10	012442-40NS	Quarter-Turn Eterna Cartridge w/ Spring Check, LTC
11	001019-45	Coupling Nut Washer
12	000721-25	Flange Coupling Nut
13	000611-25	Extension, 1 3/4" Long
14	002432-45	Screw, Tee Handle
15	001802-45	Handle, Supply Stop "T"
16	001605-45	Cap
17	002892-40	Service Stop Spindle w/ Cap
18	000763-20	Seat



Product Specifications:
 8" Wall Mount Service Sink Faucet, Quarter-Turn Eterna Cartridge w/ Spring Checks, 6" Wrist Action Handles, Lower Support Rod, Plain End Outlet, Polished Chrome Finish, 1/2" NPT Female Extension Inlets w/ Integral Supply Stops

Product Compliance:
 ASME A112.18.1 / CSA B125.1
 NSF 61 - Section 9
 NSF 372 (Low Lead Content)
 ANSI A117.1 (ADA)