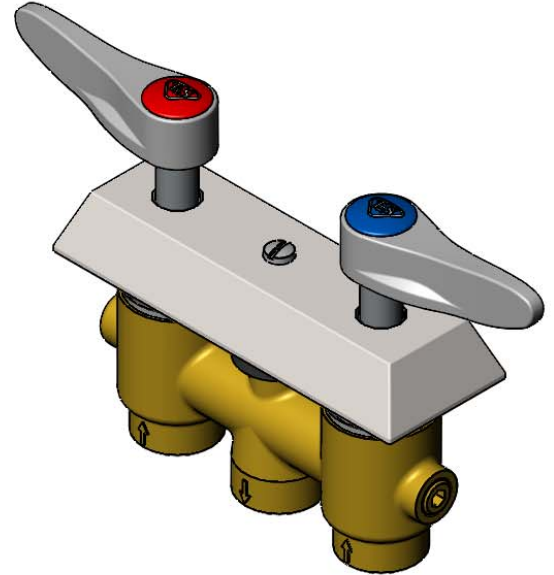
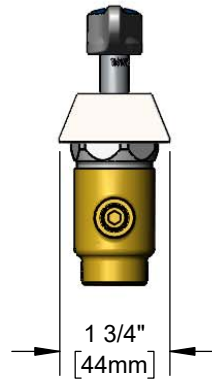
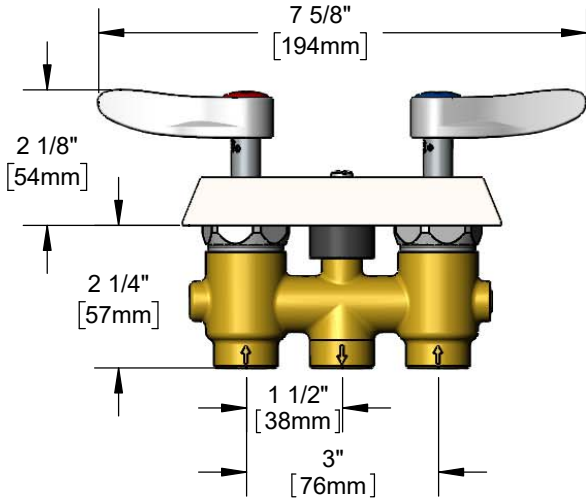




**Architect/Engineering Specifications:**

3" concealed mixing faucet with compression cartridges with spring checks, lever handles, 3/8" NPT female inlets and outlet, chrome plated escutcheon. Certified to ASME A112.18.1/CSA B125.1, NSF 61-Section 9 and NSF 372. Meets ADA ANSI/ICC A117.1 requirements.

Job Name \_\_\_\_\_  
 Model Specified \_\_\_\_\_ Quantity \_\_\_\_\_  
 Variations Specified \_\_\_\_\_  
 Date \_\_\_\_\_



**Features & Benefits:**

- 3" concealed mixing faucet
- Quarter-turn Eterna compression cartridges w/ spring checks to prevent cross flow of water
- Lever handles w/ color coded indexes
- 3/8" NPT female inlets
- 3/8" NPT female outlet
- Chrome plated escutcheon
- Material: Brass body, chrome plated metal handles & chrome plated brass escutcheon

**Product Compliance:**

- ASME A112.18.1 / CSA B125.1
- NSF 61 - Section 9
- NSF 372 (Low Lead Content)
- ANSI A117.1 (ADA)



**Warranty:** One Year (Limited)

**Performance Data:**

- Pressure: 20 - 125 psi [1.38 - 8.62 bar]
- Temperature: 40 °F - 140 °F [4.44 °C - 60 °C]
- Flow Rate: 15.40 GPM [58.30 L/min] @ 60 psi [4.14 bar]



**ADA Compliant**

**Optional Handles**

- 4" Wrist Action
- Lever (Standard)
- 4-Arm

