



T&S BRASS AND BRONZE WORKS, INC.
 2 Saddleback Cove / P.O. Box 1088
 Travelers Rest, SC 29690

Model No.
U12-KIT

Item No.

Travelers Rest, SC: 800-476-4103 • Simi Valley, CA: 800-423-0150 • Fax: 864-834-3518 • www.tsbrass.com



ADA Compliant

This Space for Architect/Engineer Approval

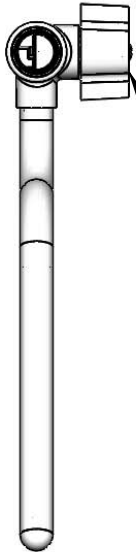
Job Name _____ Date _____

Model Specified _____ Quantity _____

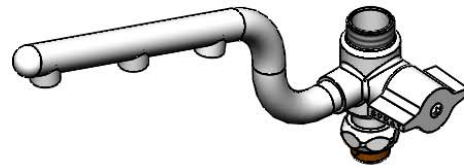
Customer/Wholesaler _____

Contractor _____

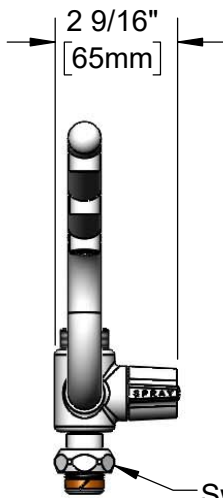
Architect/Engineer _____



180° Cartridge switches
 between Spray Arm
 and Swing Nozzle

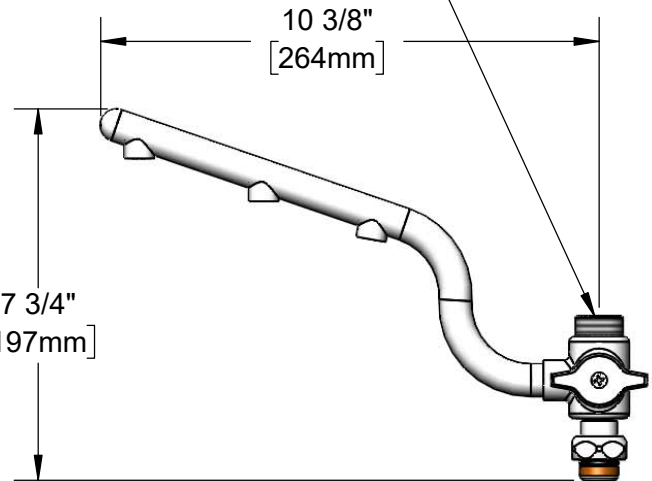


Swivel Outlet Accepts T&S
 18" Swing Nozzle w/ Stream
 Regulator Outlet or Any T&S
 Swing Outlet Faucet



2 9/16"
 [65mm]

Swivel Nut Fits
 All Standard T&S
 Swivel Outlets



10 3/8"
 [264mm]

7 3/4"
 [197mm]

Product Specifications:
 10" ULTRARINSE 1.5 GPM Multiple Tip Spray Arm

Product Compliance:
 ASME A112.181 / CSA B125.1
 NSF 61 - Section 9
 NSF 372 (Low Lead Content)
 ANSI A117.1 (ADA)



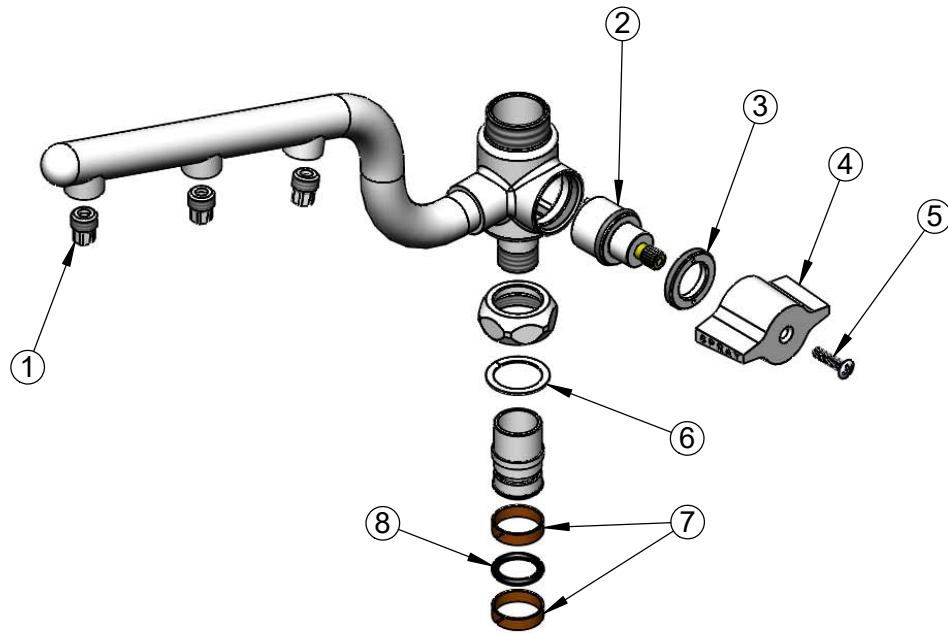
T&S BRASS AND BRONZE WORKS, INC.
 2 Saddleback Cove / P.O. Box 1088
 Travelers Rest, SC 29690

Model No.
U12-KIT

Item No.

Travelers Rest, SC: 800-476-4103 • Simi Valley, CA: 800-423-0150 • Fax: 864-834-3518 • www.tsbrass.com

| ITEM | PART NO. | DESCRIPTION | QTY. |
|------|-----------|-------------------------------|------|
| 1 | 020667-25 | 0.5 GPM Spray Tip | 3 |
| 2 | 020641-45 | ULTRARINSE Diverter Cartridge | 1 |
| 3 | 020645-45 | Diverter Cartridge Nut | 1 |
| 4 | 020642-45 | ULTRARINSE Diverter Handle | 1 |
| 5 | 020669-45 | M4 Screw, 17mm Long | 1 |
| 6 | 009538-45 | Swivel Washer | 1 |
| 7 | 011429-45 | Swivel Sleeves (2) | 2 |
| 8 | 001074-45 | O-Ring | 1 |



Product Specifications:
 10" ULTRARINSE 1.5 GPM Multiple Tip Spray Arm

Product Compliance:
 ASME A112.181 / CSA B125.1
 NSF 61 - Section 9
 NSF 372 (Low Lead Content)
 ANSI A117.1 (ADA)