



Architect/Engineering Specifications:

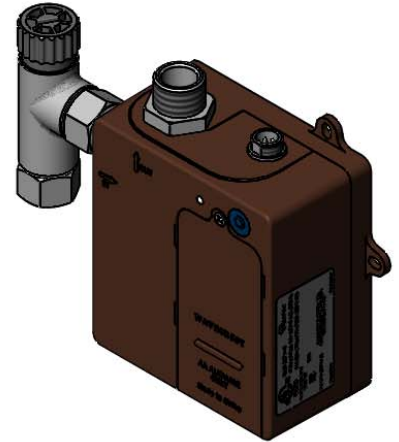
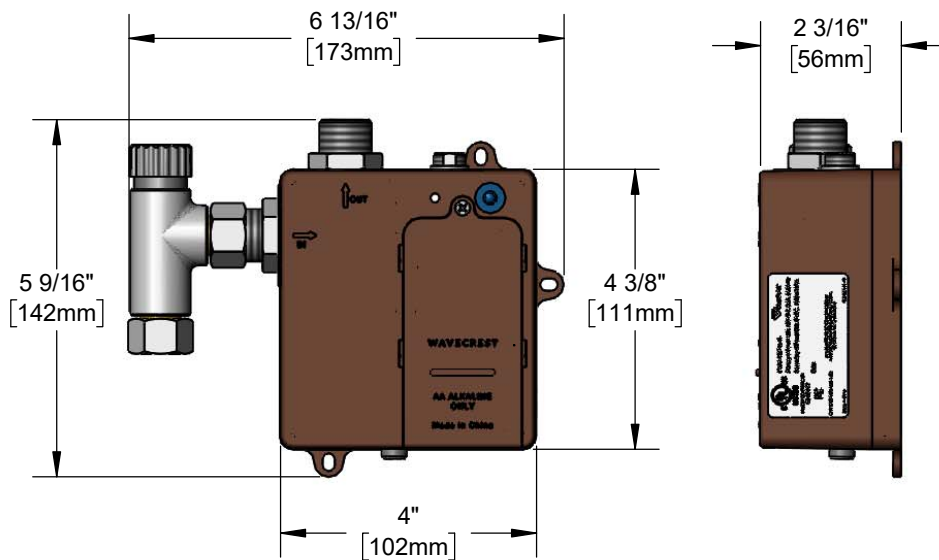
WaveCrest sensor faucet control module with brown module housing, flow control setting switches for adjusting auto time out & shut off delay settings, optional auto flush feature flows water for 30 seconds after every 12 inactive hours and hardwire capable using terminals on back . Certified to NSF 61-Section 9, NSF 372 and UL 1951.

Job Name _____

Model Specified _____ Quantity _____

Variations Specified _____

Date _____



Features & Benefits:

- Water resistant WaveCrest sensor faucet control module w/ brown module housing
- Flow control setting switches behind battery cover for adjusting auto time out & shut off delay settings
- Optional auto flush feature flows water for 30 seconds after every 12 inactive hours
- Optional metering mode
- Hardwire capable using terminals on back with EC-HARDWIRE transformer (sold separately)
- Material: Chrome plated brass filter body & solenoid valve body

Product Compliance:

- UL 1951
- NSF 61 - Section 9
- NSF 372 (Low Lead Content)

Warranty: Three Year (Limited)

Performance Data:

- Pressure: 20 - 125 psi [1.38 - 8.62 bar]
- Temperature: 40 °F - 140 °F [4.44 C - 60 C]

