



T&S BRASS AND BRONZE WORKS, INC.

2 Saddleback Cove / P.O. Box 1088
Travelers Rest, SC 29690

Model No.

B-0268-02

Item No.

Travelers Rest, SC: 800-476-4103 • Simi Valley, CA: 800-423-0150 • Fax: 864-834-3518 • www.tsbrass.com



ADA Compliant

This Space for Architect/Engineer Approval

Job Name _____ Date _____

Model Specified _____ Quantity _____

Customer/Wholesaler _____

Contractor _____

Architect/Engineer _____

7 7/16"
[189mm]



12" Back Section
Nozzle

059X
6" Swing Nozzle w/
Stream Regulator Outlet



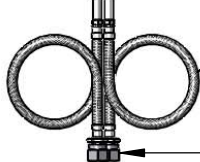
18" Double Joint
Swing Nozzle w/
B-PT
Stream Regulator
Outlet

Swivel Joint

Quarter-Turn
Eterna Cartridges w/
Spring Checks &
Lever Handles w/
Color Coded Indexes

2 5/16"
[58mm]

Mounting Surface



18" Flexible
Stainless Steel
Supply Hoses

Compression Fittings
for 5/8" O.D. Copper Tubing
(Remove Compression Nut
for 1/2" NPSM Male)

Rough-In Requirement:
Ø 1 1/2" [38mm] Mounting Hole

6"
[153mm]

12"
[305mm]

7 5/8"
Straight
Swivel
Extension

18 5/8"
[473mm]

15 1/2"
[394mm]

12 11/16"
[322mm]

13 7/16"
[341mm]

Ø 2 1/4"
[57mm]
Deck
Flange

1 3/8"
[35mm]
Maximum
Thickness

Product Specifications:

Single Hole Deck Mount Mixing Faucet, Quarter-Turn Eterna Cartridges w/ Spring Checks, 18" Double-Joint Nozzle w/ Stream Regulator Outlet, 7 5/8" Extension & 18" Flexible Stainless Steel Supply Hoses w/ 1/2" NPSM Male Inlets

Product Compliance:

ASME A112.18.1 / CSA B125.1
NSF 61 - Section 9
NSF 372 (Low Lead Content)
ANSI A117.1 (ADA)



T&S BRASS AND BRONZE WORKS, INC.

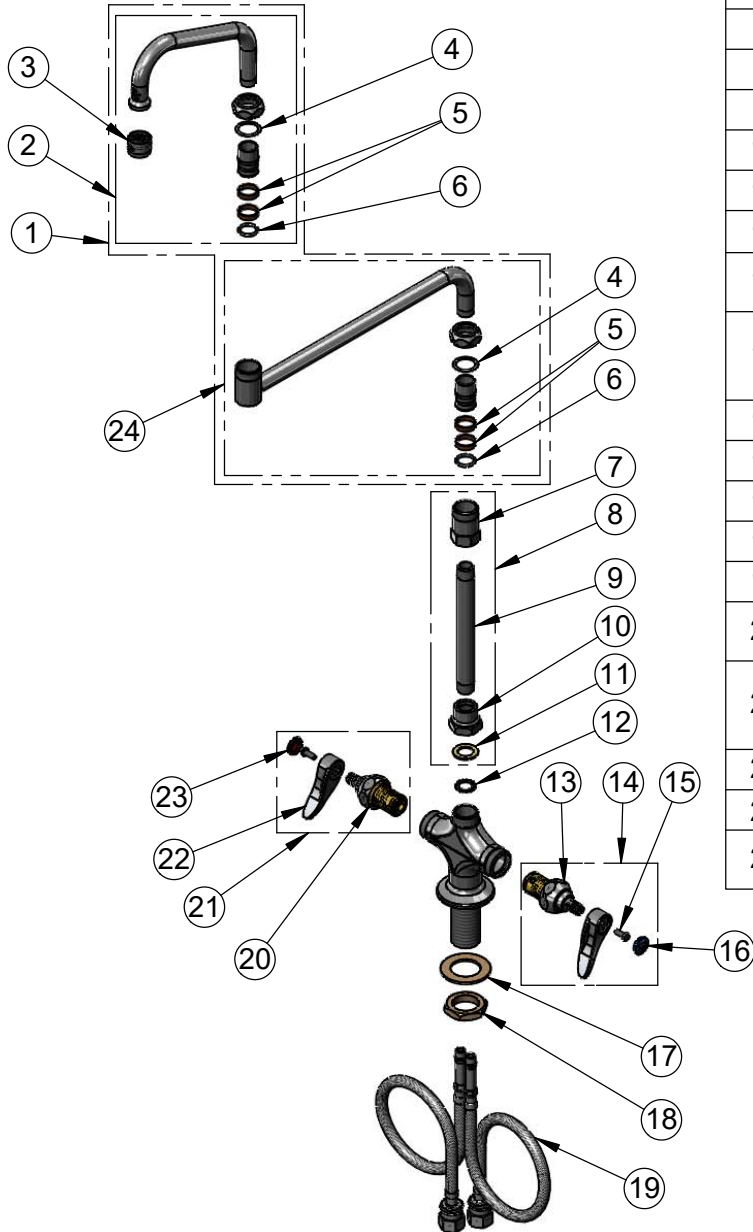
2 Saddleback Cove / P.O. Box 1088
Travelers Rest, SC 29690

Model No.

B-0268-02

Item No.

Travelers Rest, SC: 800-476-4103 • Simi Valley, CA: 800-423-0150 • Fax: 864-834-3518 • www.tsbrass.com



ITEM NO.	SALES NO.	DESCRIPTION
1	018389-40	18" Double Joint Swing Nozzle w/ 6" Front Section & 12" Back Section
2	059X	6" Swing Nozzle
3	B-PT	Stream Regulator Outlet
4	009538-45	Swivel Washer
5	011429-45	Swivel Sleeves (2)
6	001074-45	O-Ring
7	054X	Swivel Body
8	B-1912-10	7 5/8" Straight Swivel Extension
9	144X	Nipple, 3/8" x 6"
10	B-0413	Adapter, Swivel to Rigid
11	001049-45	Washer
12	014200-45	Star Washer, Anti-Rotation
13	012442-40NS	Quarter-Turn Eterna Cartridge w/ Spring Check, LTC
14	002711-40NS	Quarter-Turn Eterna Cartridge w/ Spring Check, Handle, Blue Index & Screw, LTC
15	000925-45	Lab Handle Screw
16	018506-19NS	Blue Button Index, Press-in
17	002290-45	Lock Washer
18	000965-45	Lock Nut
19	012534-45	18" Flexible Supply Hose (2)
20	012443-40NS	Quarter-Turn Eterna Cartridge w/ Spring Check, RTC
21	002712-40NS	Quarter-Turn Eterna Cartridge w/ Spring Check, Handle, Red Index & Screw, RTC
22	001638-45NS	Lever Handle (New Style)
23	001193-19NS	Red Button Index, Press-in
24	002871-40	Double Joint Swing Nozzle 12" Back Section

Product Specifications:

Single Hole Deck Mount Mixing Faucet, Quarter-Turn Eterna Cartridges w/ Spring Checks, 18" Double-Joint Nozzle w/ Stream Regulator Outlet, 7 5/8" Extension & 18" Flexible Stainless Steel Supply Hoses w/ 1/2" NPSM Male Inlets

Product Compliance:

ASME A112.18.1 / CSA B125.1
NSF 61 - Section 9
NSF 372 (Low Lead Content)
ANSI A117.1 (ADA)