



# T&S BRASS AND BRONZE WORKS, INC.

2 Saddleback Cove / P.O. Box 1088  
Travelers Rest, SC 29690

Model No.

**B-0685**

Item No.

Travelers Rest, SC: 800-476-4103 • Simi Valley, CA: 800-423-0150 • Fax: 864-834-3518 • www.tsbrass.com

This Space for Architect/Engineer Approval

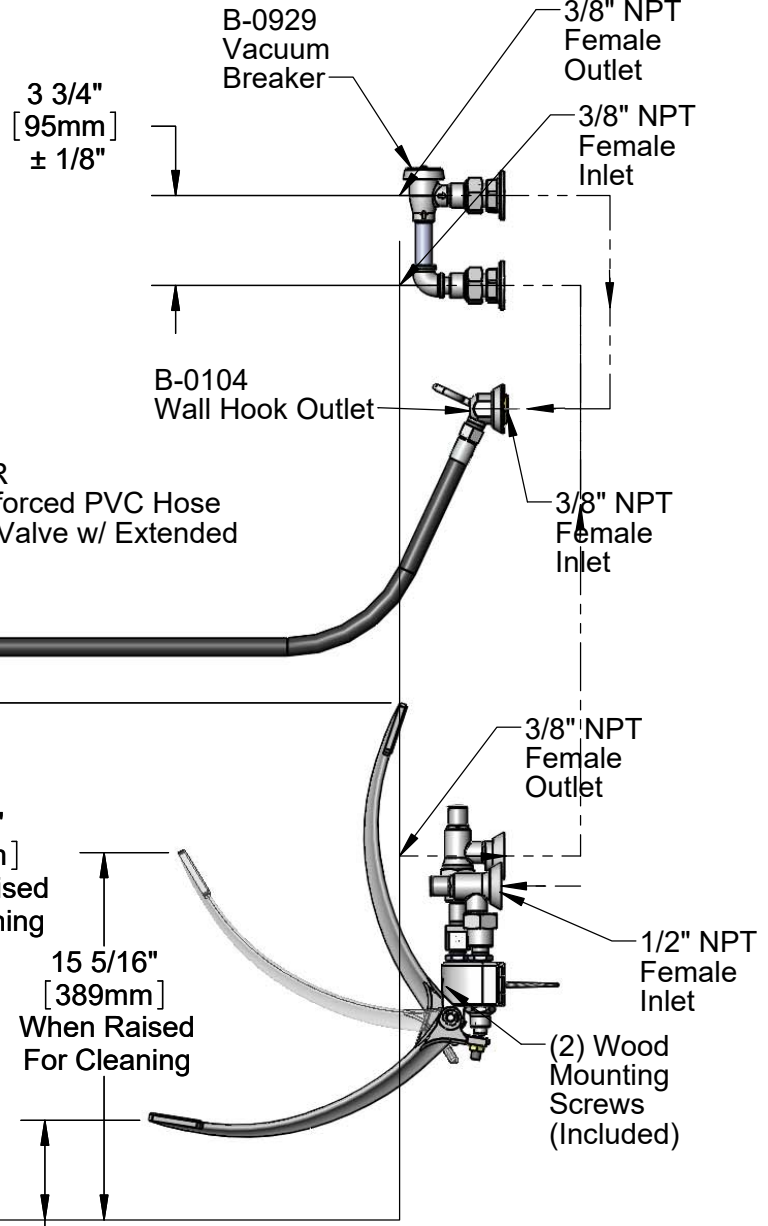
Job Name \_\_\_\_\_ Date \_\_\_\_\_

Model Specified \_\_\_\_\_ Quantity \_\_\_\_\_

Customer/Wholesaler \_\_\_\_\_

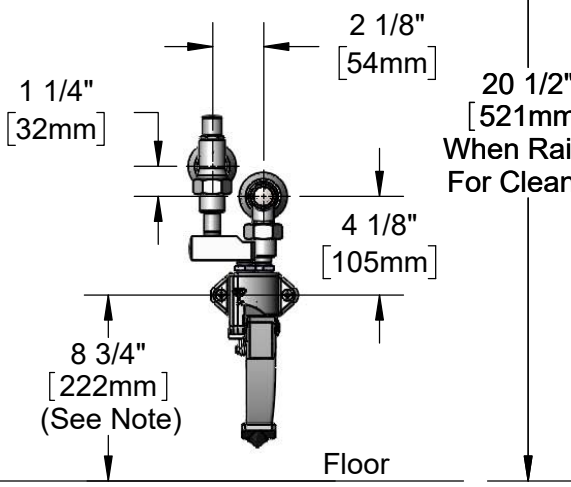
Contractor \_\_\_\_\_

Architect/Engineer \_\_\_\_\_



Tee Handle & Mounting Screw (Included)

Hold Down Ring & Washer (Included)



Adjustable From 4 7/16" to 7" [113mm to 178mm] When Valve Is Closed, 1 3/8" to 3 1/8" [35mm to 79mm] When Valve is Open

Note: All Pedal Position Dimensions are Based on Minimum Recommended Mounting Height of 8 3/4" [222mm] Above Finished Floors.

Product Specifications:  
Bedpan Washer, Foot Valve Control, Integral Loose Key Stops, Vacuum Breaker & Spray Valve w/ Extended Nozzle w/ 2.2 GPM Rosespray

Product Compliance:  
ASME A112.18.1 / CSA B125.1  
ASSE 1001 (VB)  
2019 DOE PRSV Non-Compliant

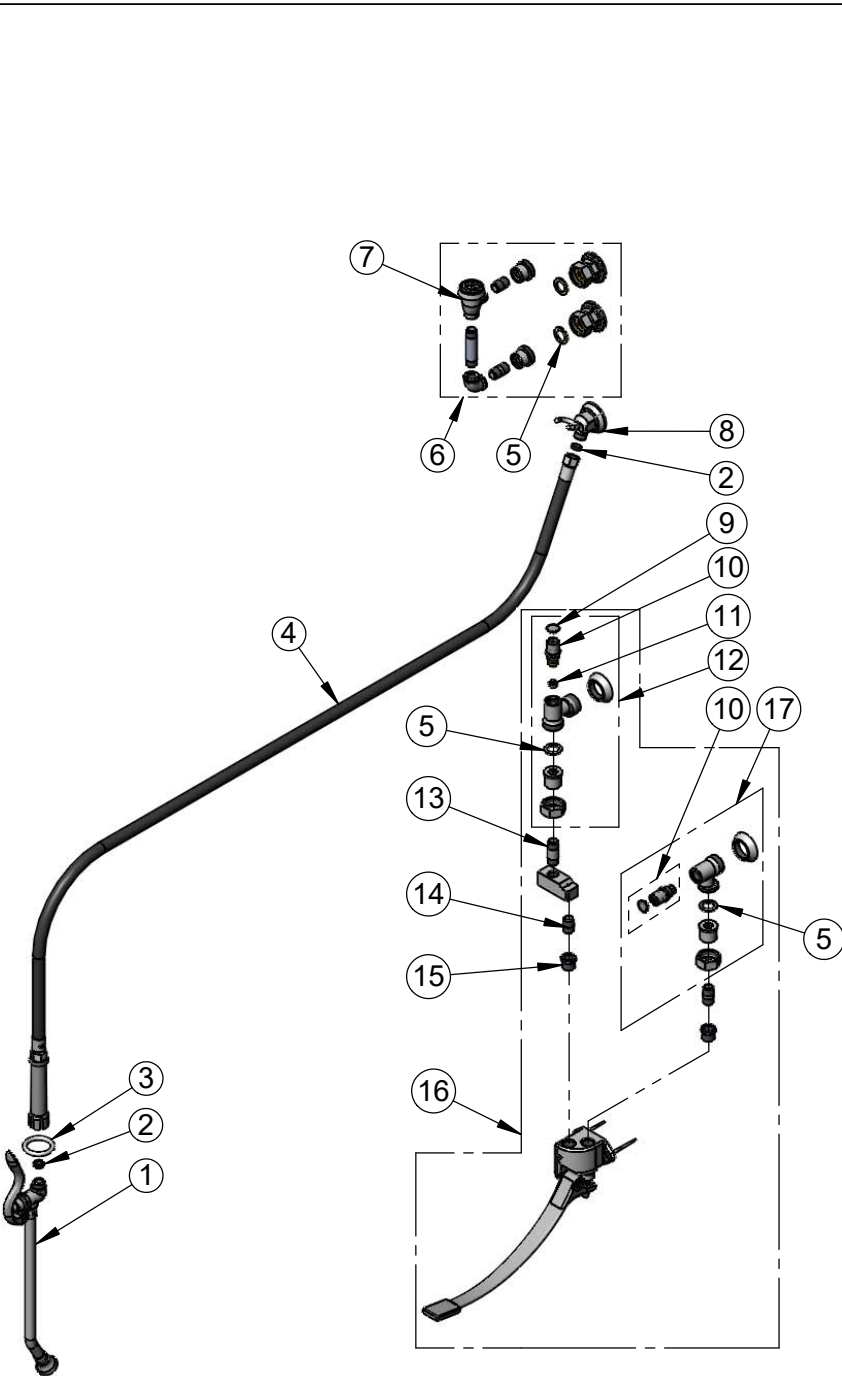


**T&S BRASS AND BRONZE WORKS, INC.**  
 2 Saddleback Cove / P.O. Box 1088  
 Travelers Rest, SC 29690

Model No.  
**B-0685**


Item No.

Travelers Rest, SC: 800-476-4103 • Simi Valley, CA: 800-423-0150 • Fax: 864-834-3518 • www.tsbrass.com



| ITEM NO. | SALES NO. | DESCRIPTION   |
|----------|-----------|---|
| 1        | 002865-40 | Extended Spray Wand                                 |
| 2        | 010476-45 | #27 Washer  |
| 3        | 000907-45 | Spray Valve Hold Down Ring                          |
| 4        | B-0068-R  | 68" Reinforced PVC Hose                             |
| 5        | 001019-45 | Coupling Nut Washer                                 |
| 6        | B-0929    | Atmospheric Vacuum Breaker                          |
| 7        | B-0968    | 3/8" NPT Vacuum Breaker                             |
| 8        | B-0104    | Wall Hook, 3/4-14 UN Male Outlet                    |
| 9        | 001605-45 | Cap   |
| 10       | 166A      | Service Stop Spindle w/ Tee Handle & Screw          |
| 11       | 000763-20 | Seat  |
| 12       | B-1355    | Loose Key 3/8" NPT Angle Stop w/ Tee Handle & Screw |
| 13       | 000356-45 | Nipple, 3/8" NPT x 1 3/4"                           |
| 14       | 002535-25 | 3/8" Close Nipple                                   |
| 15       | 001359-40 | Hex Bushing, 1/2" NPT Male x 3/8" NPT Female        |
| 16       | B-0508-01 | Wall Mount Single Pedal Valve w/ Angle Stops        |
| 17       | B-1351    | Loose Key 1/2" NPT Angle Stop w/ Tee Handle & Screw |

  
 002432-45  
 T-Handle Screw

  
 (2) 001802-45  
 T-Handle

Product Specifications:  
 Bedpan Washer, Foot Valve Control, Integral Loose Key Stops, Vacuum Breaker & Spray Valve w/ Extended Nozzle w/ 2.2 GPM Rosespray

Product Compliance:  
 ASME A112.18.1 / CSA B125.1  
 ASSE 1001 (VB)  
 2019 DOE PRSV Non-Compliant