



Architect/Engineering Specifications:

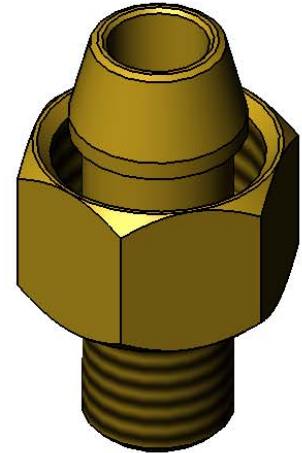
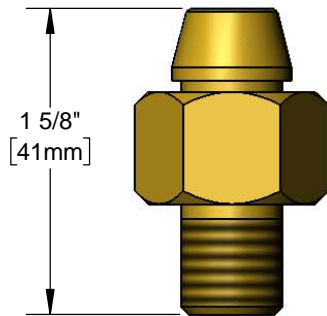
Brass union coupling tailpiece. Certified to ASME A112.18.1/CSA B125.1, NSF 61-Section 9 and NSF 372.

Job Name \_\_\_\_\_

Model Specified \_\_\_\_\_ Quantity \_\_\_\_\_

Variations Specified \_\_\_\_\_

Date \_\_\_\_\_



Features & Benefits:

- Union coupling tailpiece
- 1/2" NPSM female coupling nut
- 1/4" NPT male tailpiece
- Material: Brass

Product Compliance:

- ASME A112.18.1 / CSA B125.1
- NSF 61 - Section 9
- NSF 372 (Low Lead Content)



Warranty: One Year (Limited)



Performance Data:

- N/A

