



T&S BRASS AND BRONZE WORKS, INC.
 2 Saddleback Cove / P.O. Box 1088
 Travelers Rest, SC 29690

Model No.
S-0113-A14-BY

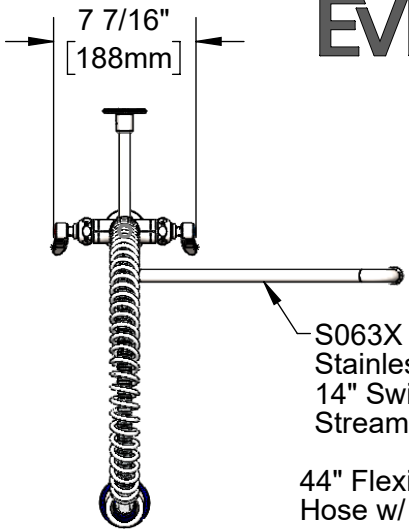
Item No.

Travelers Rest, SC: 800-476-4103 • Simi Valley, CA: 800-423-0150 • Fax: 864-834-3518 • www.tsbrass.com

EVERSTEEL™

This Space for Architect/Engineer Approval

Job Name _____ Date _____
 Model Specified _____ Quantity _____
 Customer/Wholesaler _____
 Contractor _____
 Architect/Engineer _____



S063X
 Stainless Steel
 14" Swing Nozzle w/
 Stream Regulator Outlet

44" Flexible Stainless Steel
 Hose w/ Spring & Spray Valve

Items Not Shown
 For Clarity
 Stainless Steel
 3/8" NPT x 24" Riser

Stainless
 Steel Finger
 Hook

S-0107-Y
 Stainless Steel
 1.15 GPM
 Spray Valve

S-0109-01
 Stainless
 Steel
 6" Wall
 Bracket

46 1/4"
 [1175mm]

14"
 [356mm]

2 5/16"
 [59mm]

EasyInstall
 Lock Nut &
 Bushing

2 5/16"
 [58mm]

12 1/4"
 [311mm]

15 3/8"
 [390mm]

16 9/16"
 [421mm]

Mounting
 Surface

7 1/8"
 [181mm]

Stainless
 Steel
 EasyInstall
 Add-On
 Faucet w/
 Quarter-
 Turn Eterna
 Cartridge
 & Lever
 Handle

Stainless Steel Quarter-Turn
 Eterna Cartridges w/ Spring
 Checks & Stainless Steel Lever
 Handles w/ Color Coded Indexes

Ø 2 1/4"
 [57mm]
 Deck Flange

1 7/8"
 [48mm]

19 11/16" Flexible Stainless Steel
 Supply Hoses w/ G1/2" Female
 Swivel (Compatible w/ 1/2" NPSM
 Threads)

14 1/8"
 [359mm]

Maximum
 Thickness

Rough-In Requirement:
 Ø 1 1/2" [38mm] Mounting Hole

Product Specifications:

Pre-Rinse Unit: EasyInstall Stainless Steel Single Hole Deck Mount Mixing
 Faucet, SS Quarter-Turn Eterna Cartridges w/ Spring Checks, SS Lever
 Handles, SS Add-On Faucet, SS 14" Swing Nozzle, 44" Flexible Stainless
 Steel Hose, SS 1.15 GPM New Style Spray Valve, SS 6" Wall Bracket &
 Flexible Stainless Steel Supply Hoses

Product Compliance:

ASME A112.18.1 / CSA B125.1
 NSF 61 - Section 9
 NSF 372 (Low Lead Content)
 2019 DOE PRSV - Class II



T&S BRASS AND BRONZE WORKS, INC.

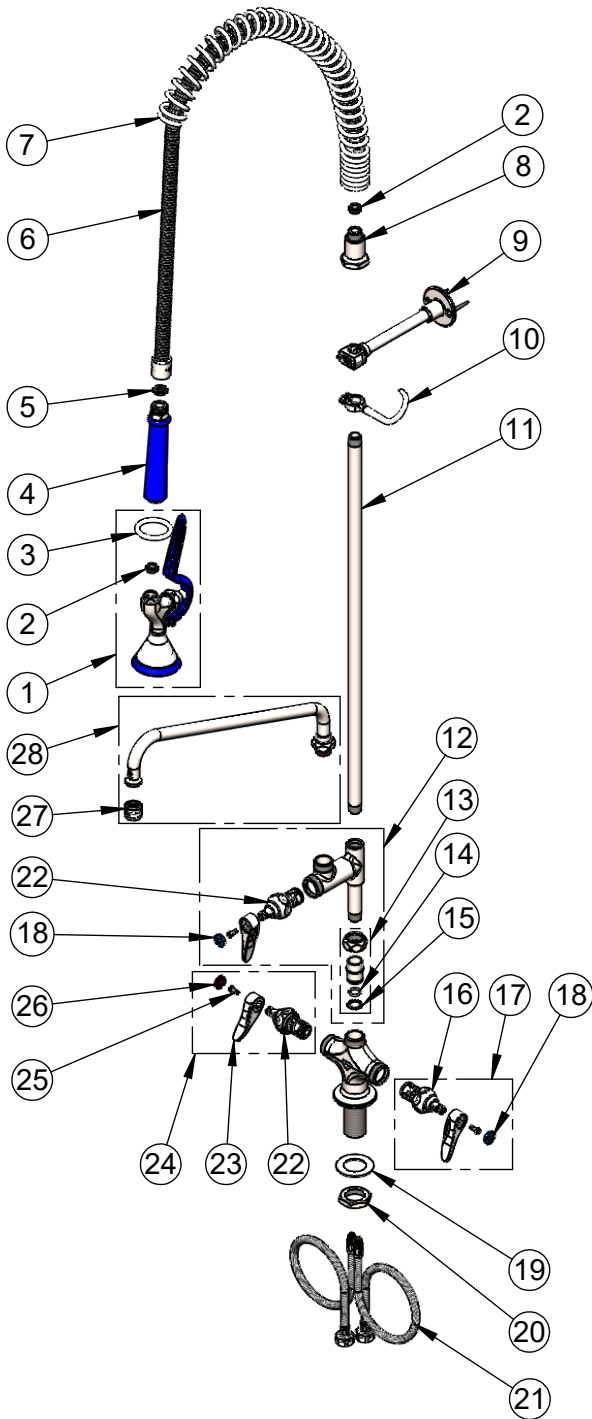
2 Saddleback Cove / P.O. Box 1088
Travelers Rest, SC 29690

Model No.

S-0113-A14-BY

Item No.

Travelers Rest, SC: 800-476-4103 • Simi Valley, CA: 800-423-0150 • Fax: 864-834-3518 • www.tsbrass.com



ITEM NO.	SALES NO.	DESCRIPTION
1	S-0107-Y	Stainless Steel 1.15 GPM New Style Spray Valve
2	010476-45	#27 Washer
3	S000907-30	SS Spray Valve Hold Down Ring
4	S020795-30	Stainless Steel New Style Grip Handle (Blue)
5	001014-45	Washer, Hose Barrel
6	S-0044-H2A	44" Flexible Stainless Steel Hose, Less Handle
7	S000888-30	SS EasyInstall Overhead Spring
8	S000821-30	Stainless Steel Spring Body
9	S-0109-01	Stainless Steel 6" Wall Bracket
10	S004R	Stainless Steel Finger Hook
11	S000372-30	Stainless Steel 3/8" NPT x 24" Riser
12	S-0155-LNEZ	Stainless Steel EasyInstall Add-On Faucet w/ Eterna Cartridge & Lever Handle (Less Nozzle)
13	SEZ-K	Stainless Steel EasyInstall Kit: Nut, Bushing, O-ring & Lock Washer
14	001065-45	O-Ring
15	014200-45	Star Washer, Anti-Rotation
16	S012442-30NS	Stainless Steel Quarter-Turn Eterna Cartridge w/ Spring Check, LTC
17	S002711-30NS	Stainless Steel Quarter-Turn Eterna Cartridge w/ Spring Check, Handle, Blue Index & Screw, LTC
18	018506-19NS	Blue Button Index, Press-in
19	S007365-20	Stainless Steel Lock Washer
20	S000965-20	Stainless Steel Lock Nut
21	012436-45DR	Flexible Connector Hose
22	S012443-30NS	Quarter-Turn Eterna Cartridge w/ Spring Check, RTC
23	S001638-30NS	Lever Handle (New Style)
24	S002712-30NS	Stainless Steel Quarter-Turn Eterna Cartridge w/ Spring Check, Handle, Red Index & Screw, RTC
25	000925-45	Lab Handle Screw
26	001193-19NS	Red Button Index, Press-in
27	S-PT	SS Full Flow Stream Regulator, 55/64-27
28	S063X	Stainless Steel 14" Swing Nozzle

Product Specifications:

Pre-Rinse Unit: EasyInstall Stainless Steel Single Hole Deck Mount Mixing Faucet, SS Quarter-Turn Eterna Cartridges w/ Spring Checks, SS Lever Handles, SS Add-On Faucet, SS 14" Swing Nozzle, 44" Flexible Stainless Steel Hose, SS 1.15 GPM New Style Spray Valve, SS 6" Wall Bracket & Flexible Stainless Steel Supply Hoses

Product Compliance:

ASME A112.18.1 / CSA B125.1
NSF 61 - Section 9
NSF 372 (Low Lead Content)
2019 DOE PRSV - Class II