



Single Lever Faucets

S-2785-S060X

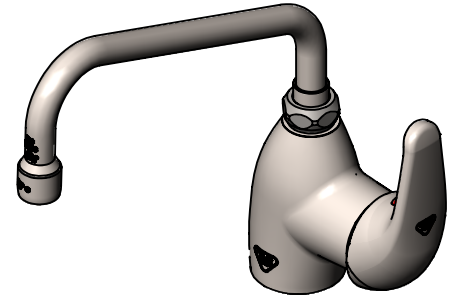
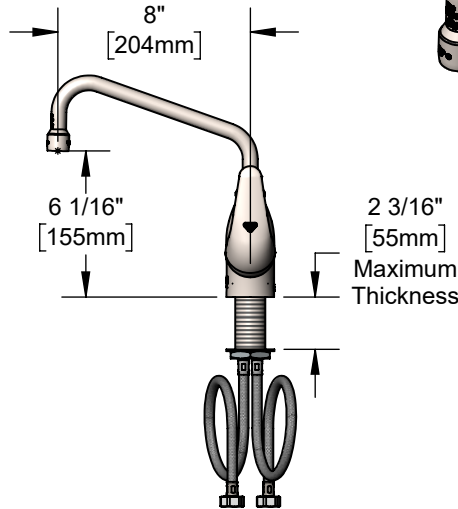
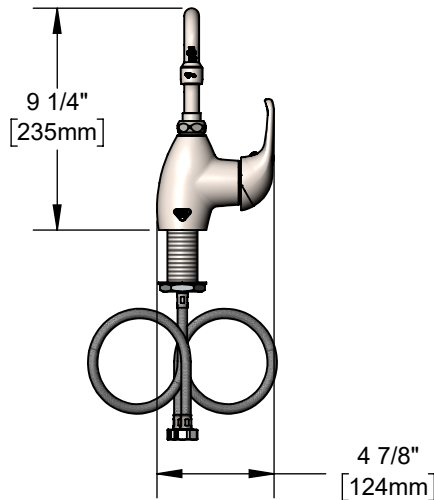
TAG:

EVERSTEEL Swivel Pantry Faucet

Architect/Engineering Specifications:

Single hole deck mount single lever faucet, stainless steel 8" swing nozzle with stream regulator outlet, ceramic cartridge, 18" flexible stainless steel supply hoses with G1/2 female swivel connections. Certified to ASME A112.18.1/CSA B125.1, NSF 61-Section 9 and NSF 372. Meets ADA ANSI/ICC A117.1 requirements.

Job Name _____
 Model Specified _____ Quantity _____
 Variations Specified _____
 Date _____



Features & Benefits:

- Single hole deck mount single lever faucet w/ brushed stainless steel body
- Stainless steel 8" swing nozzles
- Lock washer provided for rigid application
- Stainless steel stream regulator outlet, Series 1
- Ceramic cartridge
- 18" flexible stainless steel supply hoses w/ G1/2 female swivel connections (compatible w/ 1/2" NPSM threads)
- Material: Brushed stainless steel body, nozzle and handle, ceramic cartridge, and stainless steel supply hoses

Product Compliance:

- ASME A112.18.1 / CSA B125.1
- NSF 61 - Section 9
- NSF 372 (Low Lead Content)
- ANSI A117.1 (ADA)



Warranty: Lifetime (Limited)

- Ceramic Cartridge: Two Year (Limited)



ADA Compliant

Performance Data:

- Pressure: 20 - 125 psi [1.38 - 8.62 bar]
- Temperature: 40°F - 140°F [4.44°C - 60°C]
- Flow Rate: 8.52 GPM [32.25 L/min] @ 60 psi [4.14 bar]

Stainless Steel T&S Swing Nozzles

- S059X 6" Swing Nozzle
- S060X 8" Swing Nozzle (Standard)
- S062X 12" Swing Nozzle
- S063X 14" Swing Nozzle
- S065X 18" Swing Nozzle

Stainless Steel T&S Swivel Goosenecks (D x K)

- S133X 5 11/16" x 6 1/4" Swivel Gooseneck



T&S BRASS AND BRONZE WORKS, INC.



• 2 Saddleback Cove • Travelers Rest, SC 29690
 Ph 800-476-4103 • Fax 864-834-3518
 • Simi Valley, CA • Ph 800-423-0150 • www.tsbrass.com

Date: 06/04/24