



T&S BRASS AND BRONZE WORKS, INC.

2 Saddleback Cove / P.O. Box 1088
Travelers Rest, SC 29690

Model No.

B-0509-537K

Item No.

Travelers Rest, SC: 800-476-4103 • Simi Valley, CA: 800-423-0150 • Fax: 864-834-3518 • www.tsbrass.com

This Space for Architect/Engineer Approval

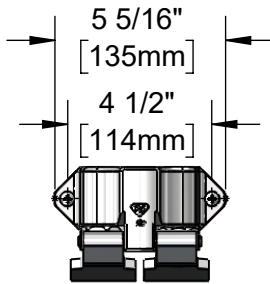
Job Name _____ Date _____

Model Specified _____ Quantity _____

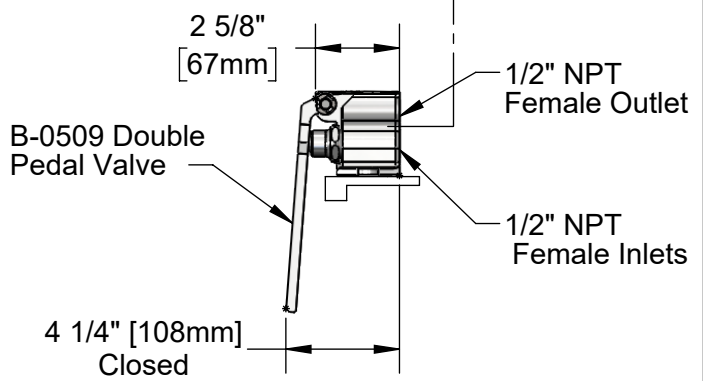
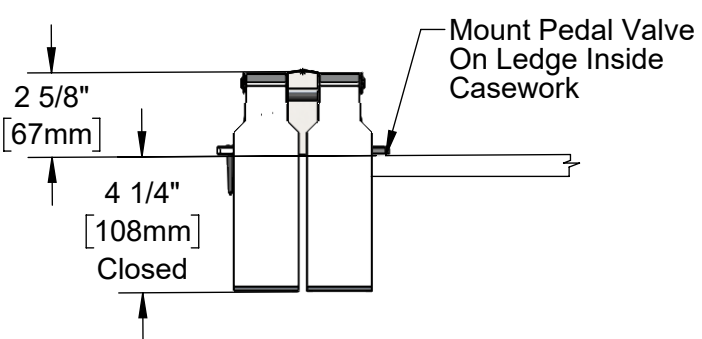
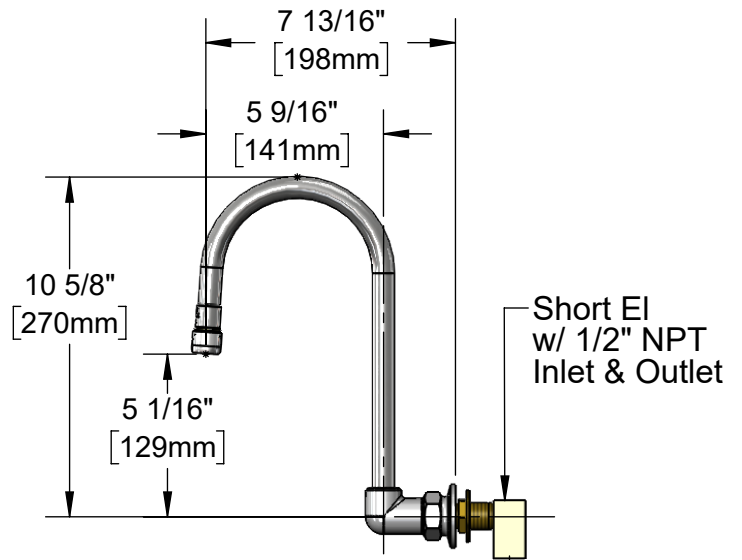
Customer/Wholesaler _____

Contractor _____

Architect/Engineer _____



Dummy Rigid
Gooseneck w/
B-0199-02
2.2 GPM Aerator



Product Specifications:
Ledge Mounted Double Pedal Valve w/ Dummy Rigid Gooseneck and 2.2 GPM Aerator

Product Compliance:
ASME A112.18.1 / CSA B125.1
NSF 61 - Section 9
NSF 372 (Low Lead Content)



T&S BRASS AND BRONZE WORKS, INC.

2 Saddleback Cove / P.O. Box 1088
Travelers Rest, SC 29690

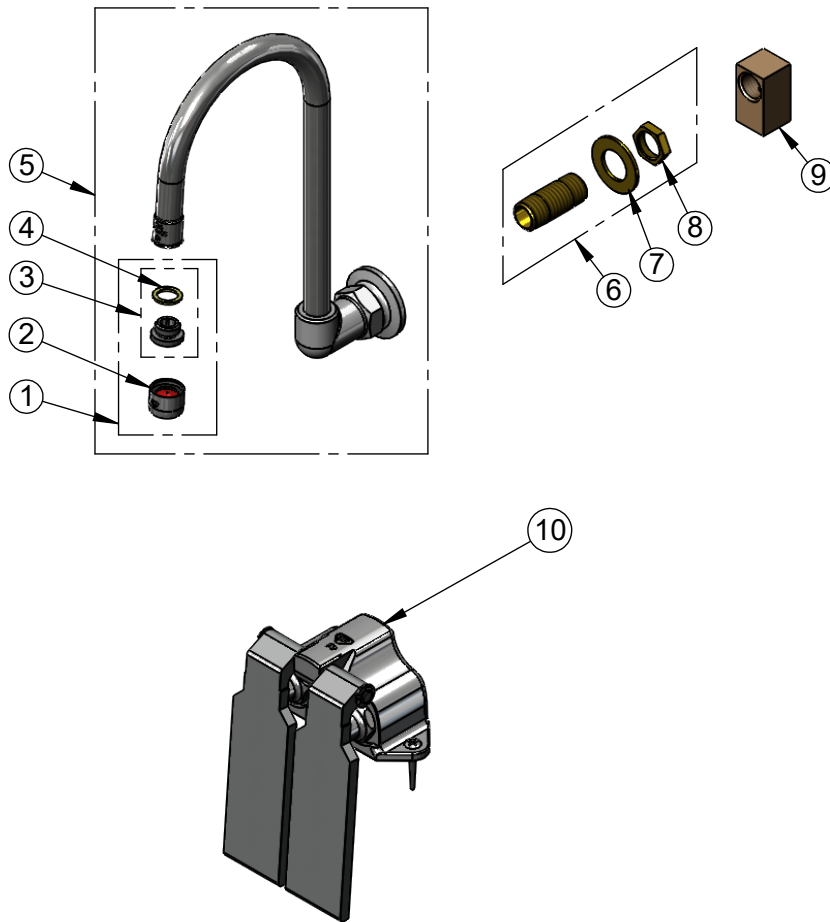
Model No.

B-0509-537K

Item No.

Travelers Rest, SC: 800-476-4103 • Simi Valley, CA: 800-423-0150 • Fax: 864-834-3518 • www.tsbrass.com

ITEM NO.	SALES NO.	DESCRIPTION
1	B-0199-02	2.2 GPM Aerator, 3/8" NPSM Male
2	B-0199-01	2.2 GPM Aerator, 55/64-27 UN Female
3	044A	3/8" to Aerator Adapter
4	001043-45	Washer
5	B-0537	Wall Mount Dummy Rigid Gooseneck w/ 2.2 GPM Aerator & 1/2" NPT Female Inlet
6	B-0425	1/2" NPT Supply Nipple Kit
7	000999-45	Brass Lock Washer
8	002954-45	Shank Lock Nut
9	006895-20	Short EI, 1/2 NPT-F x 1/2 NPT-F
10	B-0509	Double Pedal Valve Body



Product Specifications:

Ledge Mounted Double Pedal Valve w/ Dummy Rigid Gooseneck and 2.2 GPM Aerator

Product Compliance:

ASME A112.18.1 / CSA B125.1
NSF 61 - Section 9
NSF 372 (Low Lead Content)