

*This Space for Architect/Engineer Approval*

Job Name \_\_\_\_\_ Date \_\_\_\_\_

Model Specified \_\_\_\_\_ Quantity \_\_\_\_\_

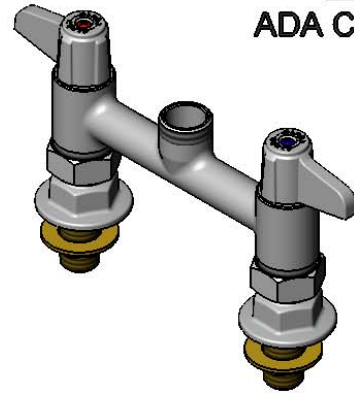
Customer/Wholesaler \_\_\_\_\_

Contractor \_\_\_\_\_

Architect/Engineer \_\_\_\_\_

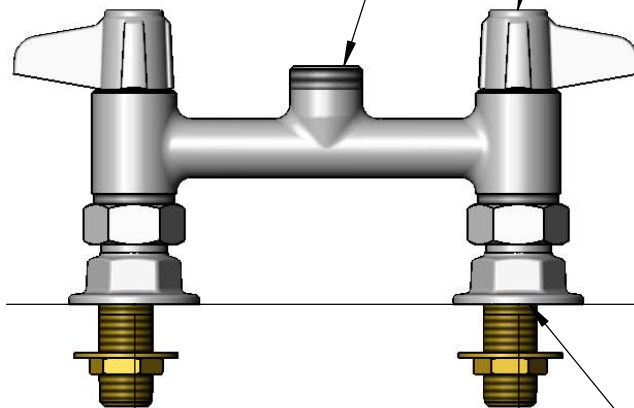


**ADA Compliant**

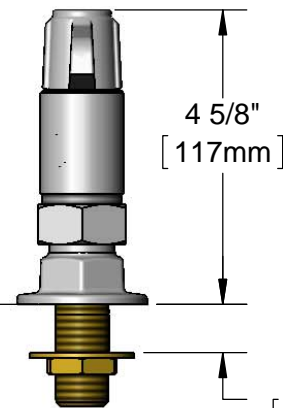


Swivel Outlet Accepts  
equip Swing Nozzles.  
Rigid Conversion Requires  
014200-45 Lock Washer  
(Sold Separately)

Quarter-Turn  
Ceramic Cartridges &  
equip Lever Handles w/  
Color Coded Screws



Mounting Surface



4 5/8"  
[117mm]

3/4"  
[19mm]

Ø 2" [51mm]  
Flanges w/  
1/2" NPT  
Female Inlets

6"  
[152mm]

Adjustable From  
5 3/4" to 6 1/4"  
[146mm to 159mm]

Rough-In Requirement:  
(2) Ø 1" [25mm] Mounting Holes

Model Number  
**5F-6DLS00**

Product Specifications:  
**6" Deck Mount Mixing Faucet, Less Nozzle, Quarter-Turn  
Ceramic Cartridges, equip Lever Handles & 1/2" NPT Supply  
Nipple Kit**

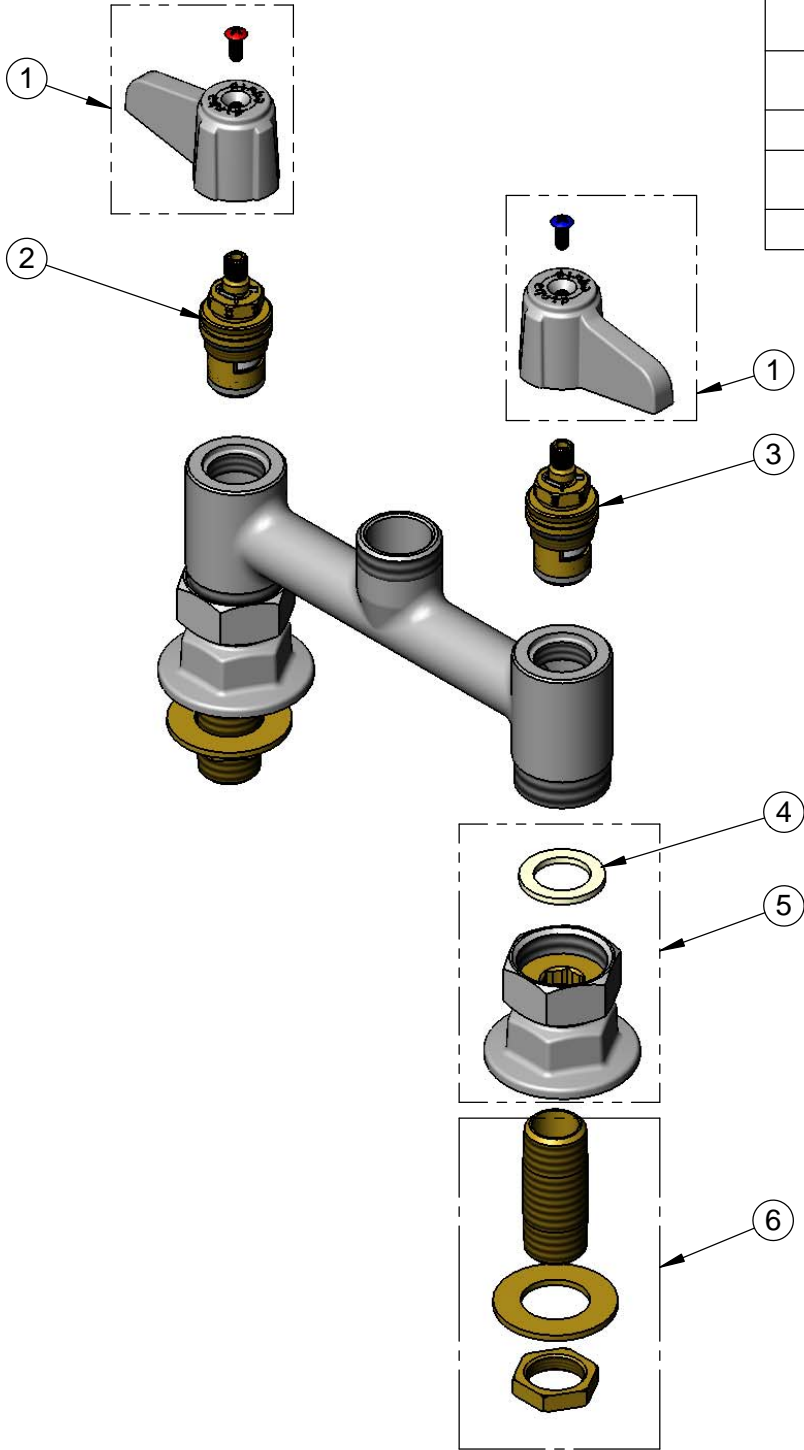
Product Compliance:  
ASME A112.18.1 / CSA B125.1  
NSF 61 - Section 9  
NSF 372 (Low Lead Content)  
ANSI A117.1 (ADA)

equip  
Foodservice  
Accessories

by

2 Saddleback Cove, P.O. Box 1088  
Travelers Rest, South Carolina 29690  
Phone: 800.891.4808 Fax: 800.868.0084  
equip.tsbrass.com

ITEM NO.	SALES NO.	DESCRIPTION
1	5-HDL-L	equip Lever Handle w/ Color Coded Screws
2	013787-45	equip Quarter-Turn Ceramic Cartridge, RTC
3	013788-45	equip Quarter-Turn Ceramic Cartridge, LTC
4	001019-45	Coupling Nut Washer
5	00AA	1/2" NPT Female Eccentric Flange
6	B-0425-M	1/2" NPT Supply Nipple Kit (2)



Model Number

**5F-6DLS00**

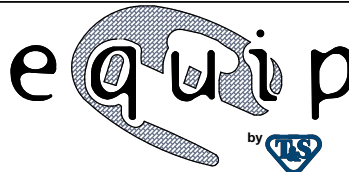
Product Specifications:

**6" Deck Mount Mixing Faucet, Less Nozzle, Quarter-Turn Ceramic Cartridges, equip Lever Handles & 1/2" NPT Supply Nipple Kit**

Product Compliance:

ASME A112.18.1 / CSA B125.1  
NSF 61 - Section 9  
NSF 372 (Low Lead Content)  
ANSI A117.1 (ADA)

equip  
Foodservice  
Accessories



2 Saddleback Cove, P.O. Box 1088  
Travelers Rest, South Carolina 29690  
Phone: 800.891.4808 Fax: 800.868.0084  
equip.tsbrass.com