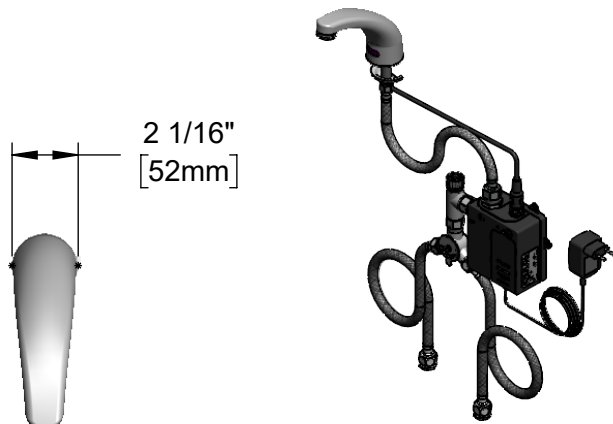


This Space for Architect/Engineer Approval

Job Name _____ Date _____
 Model Specified _____ Quantity _____
 Customer/Wholesaler _____
 Contractor _____
 Architect/Engineer _____



ADA Compliant



2 1/16"
[52mm]

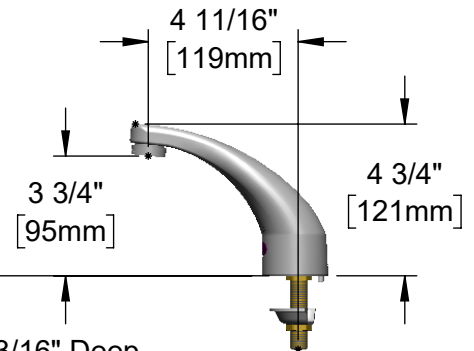
Polish Chrome Plated Cast Brass Spout w/ 2.2 GPM [8.3 LPM] Vandal Resistant Aerator & Key

24" [610mm] Sensor Cable

1/4" NPSM Female x 1/2" NPSM Female x 18" [457mm] Flexible Stainless Steel Hose

Mounting Surface

1 3/8"
[35mm] Maximum Thickness



4 11/16"
[119mm]

3 3/4"
[95mm]

4 3/4"
[121mm]

Removable Strainer

Mechanical Mixing Valve w/ Check Valves

4" x 4 3/8" x 2 3/16" Deep [102mm x 111mm x 56mm] Control Module Box (Black) w/ Water Resistant Connections. AC or DC Operated w/ (4) AA Batteries

100-240 VAC Adapter (EU) w/ 71" [1800mm] Power Cord. (Remove Rubber Plug in Module to Connect)

(2) 1/2" NPSM Female x 16" [406mm] Flexible Supply Hoses

(2) 1/2" NPSM Male x G3/8 Female Adapter w/ Sealing Washer

Rough-In Requirement:
 Ø 1 1/4" [32mm] Mounting Hole

Model Number

5EF-EU1DS-C

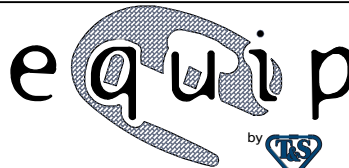
Product Specifications:

equip EU Sensor Faucet: Deck Mount Cast Spout w/ VR 2.2 GPM Aerator, EU Transformer, AC-DC Control Module, Temperature Control Mixing Valve w/ Integral Check Valves & Flexible Supply Hoses

Product Compliance:

ASME A112.18.1 / CSA B125.1
 NSF 61 - Section 9
 NSF 372 (Low Lead Content)
 ANSI A117.1 (ADA)
 UL 1951

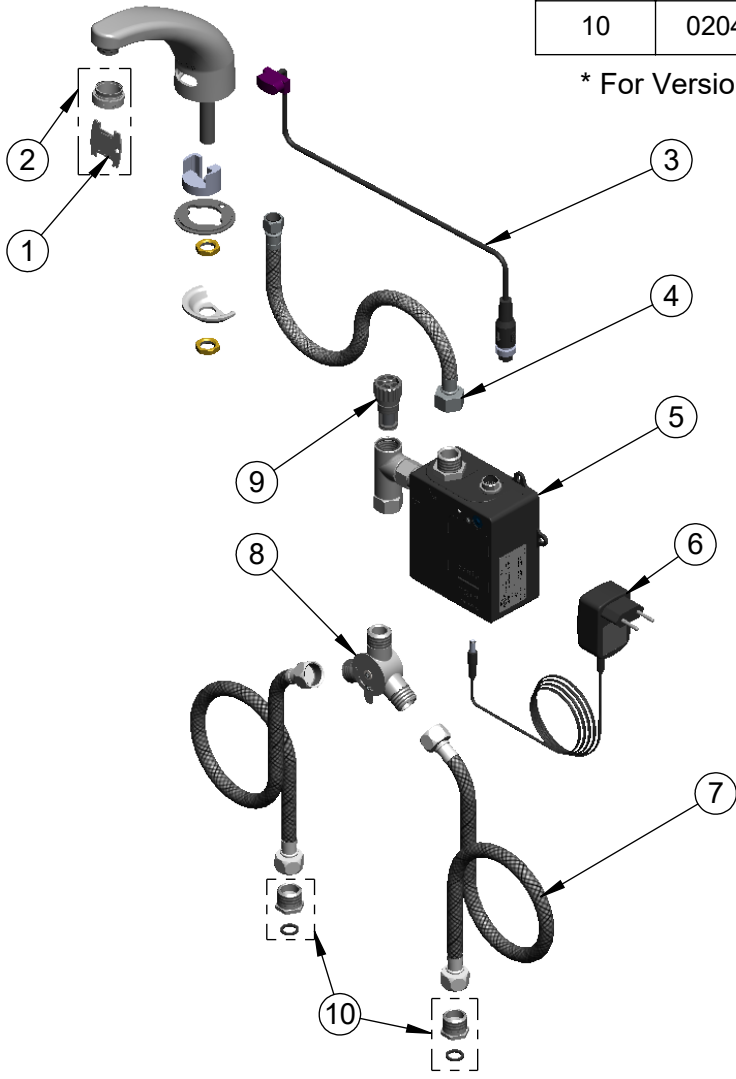
equip
 Foodservice
 Accessories



2 Saddleback Cove, P.O. Box 1088
 Travelers Rest, South Carolina 29690
 Phone: 800.891.4808 Fax: 800.868.0084
 equip.tsbrass.com

ITEM NO.	SALES NO.	DESCRIPTION
1	015425-45	Vandal Resistant Key
2	B-0199-09	VR 2.2 GPM Aerator, 15/16-27 Male w/ Key
* 3	5EF-0004C	Sensor Cable w/Curved Lens
4	016297-45	Inlet Hose, Faucet, 1/2" NPSM-F x 1/4" NPSM-F
* 5	5EF-0001C	equip Control Module (Black)
* 6	5EF-0011C	AC Adapter - EU Type Plug
7	016167-45	Supply Hose, 1/2" NPSM Female Ends
8	5EF-0006	Temperature Mixing Valve
9	EC-FILTER	Replacement Filter
10	020498-25	Hex Bushing, G3/8 Female x 1/2" NPSM Male w/ Sealing Washer

* For Versions Prior to 2024, Consult with Customer Service



Model Number
5EF-EU1DS-C

Product Specifications:
equip EU Sensor Faucet: Deck Mount Cast Spout w/ VR 2.2 GPM Aerator, EU Transformer, AC-DC Control Module, Temperature Control Mixing Valve w/ Integral Check Valves & Flexible Supply Hoses

Product Compliance:
ASME A112.18.1 / CSA B125.1
NSF 61 - Section 9
NSF 372 (Low Lead Content)
ANSI A117.1 (ADA)
UL 1951

equip Foodservice Accessories



2 Saddleback Cove, P.O. Box 1088
Travelers Rest, South Carolina 29690
Phone: 800.891.4808 Fax: 800.868.0084
equip.tsbrass.com