



# Service Sink / Mop Sink Faucets

## B-0695

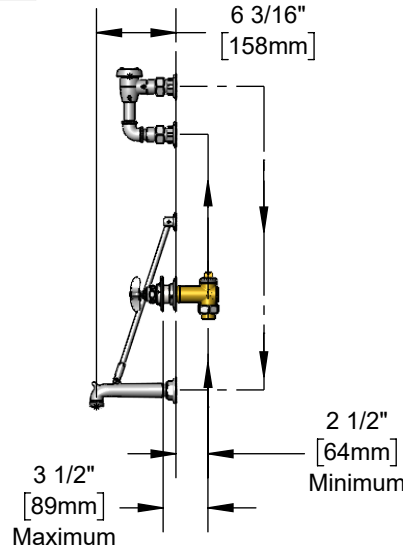
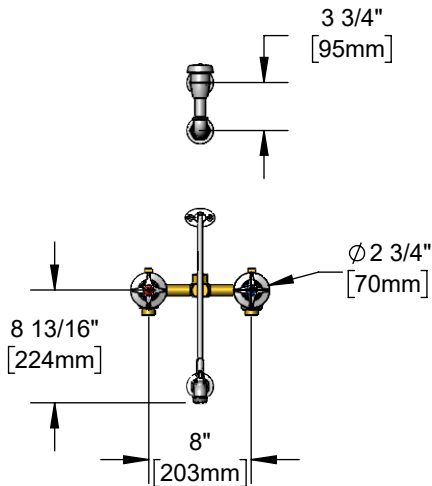
TAG:

### Service Sink Faucet

#### Architect/Engineering Specifications:

8" concealed bypass mixing valve with polished chrome plated brass adjustable wall flanges and sleeves, polished chrome plated brass spout with pail hook and garden hose male outlet, compression cartridges with spring checks, 4-arm handles, 1/2" NPT atmospheric vacuum breaker, upper support rod and 1/2" NPT female inlets. Certified to ASME A112.18.1/CSA B125.1, NSF 61-Section 9, NSF 372 and ASSE 1001. Meets ADA ANSI/ICC A117.1 requirements.

Job Name \_\_\_\_\_  
 Model Specified \_\_\_\_\_ Quantity \_\_\_\_\_  
 Variations Specified \_\_\_\_\_  
 Date \_\_\_\_\_



#### Features & Benefits:

- 8" concealed mixing faucet w/ brass body & 1/2" NPT female union inlet connections
- $\varnothing 2 \frac{5}{8}$ " adjustable wall flange
- Polished chrome plated spout assembly w/  $\varnothing 2$ " wall flange, pail hook & garden hose male outlet
- Quarter-turn Eterna compression cartridges w/ spring checks to prevent cross flow of water
- 4-arm handles w/ color coded indexes
- Elevated 1/2" NPT atmospheric vacuum breaker assembly
- Upper wall support rod
- Material: Brass bodies with polished chrome plated adjustable flanges, support rod and chrome plated metal handles

#### Product Compliance:

- ASME A112.18.1 / CSA B125.1
- NSF 61 - Section 9
- NSF 372 (Low Lead Content)
- ANSI A117.1 (ADA)
- ASSE 1001 (VB)

**Warranty:** One Year (Limited)

#### Performance Data:

- Pressure: 20 - 125 psi [1.38 - 8.62 bar]
- Temperature: 40°F - 140°F [4.44°C - 60°C]
- Flow Rate: 7.09 GPM [26.8 L/min] @ 60 psi [4.14 bar]



ADA Compliant



#### Optional Handles

- 4" Wrist Action
- Lever
- 4-Arm (Standard)

#### Optional Cartridges With Checks

- Quarter-Turn Cerama w/ Check Valve
- Quarter-Turn Eterna w/ Spring Check (Standard)



T&S BRASS AND BRONZE WORKS, INC.



• 2 Saddleback Cove • Travelers Rest, SC 29690  
 Ph 800-476-4103 • Fax 864-834-3518  
 • Simi Valley, CA • Ph 800-423-0150 • www.tsbrass.com

Date: 03/11/24