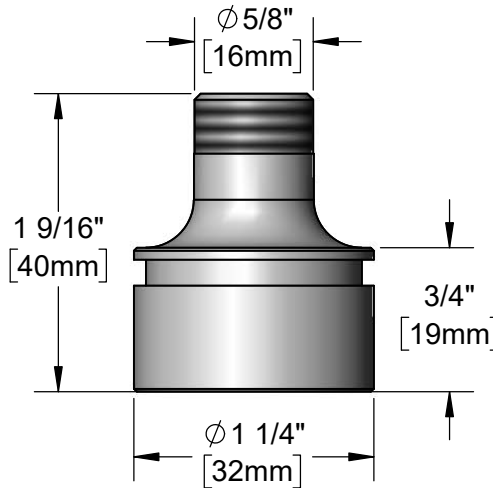
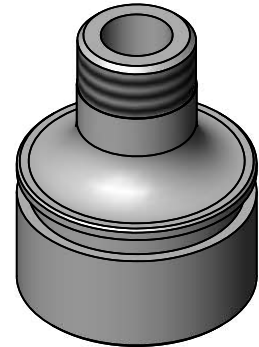




Architect/Engineering Specifications:

Low Flow Pre-Rinse Spray Valve Nozzle. Certified to NSF 61-Section 9 and NSF 372.

Job Name _____
 Model Specified _____ Quantity _____
 Variations Specified _____
 Date _____



Features & Benefits:

- Low Flow Pre-Rinse Spray Valve Nozzle
- Material: Rough Chrome Polished Brass

Product Compliance:

- NSF 61 - Section 9
- NSF 372 (Low Lead Content)



Warranty: One Year (Limited)

Performance Data:

- Pressure: 20 - 125 psi
- Temperature: 40 °F - 140 °F
- Flow Rate: N/A

