



T&S BRASS AND BRONZE WORKS, INC.

2 Saddleback Cove / P.O. Box 1088
Travelers Rest, SC 29690

Model No.

B-1120-XS-LN

Item No.

Travelers Rest, SC: 800-476-4103 • Simi Valley, CA: 800-423-0150 • Fax: 864-834-3518 • www.tsbrass.com



ADA Compliant

This Space for Architect/Engineer Approval

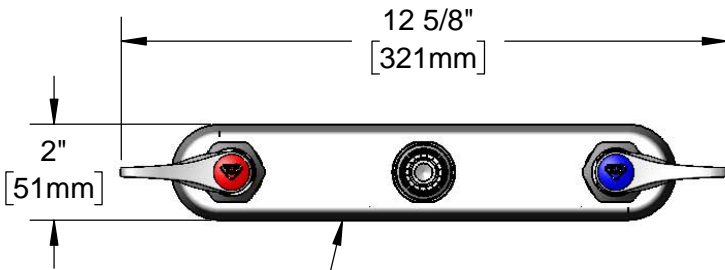
Job Name _____ Date _____

Model Specified _____ Quantity _____

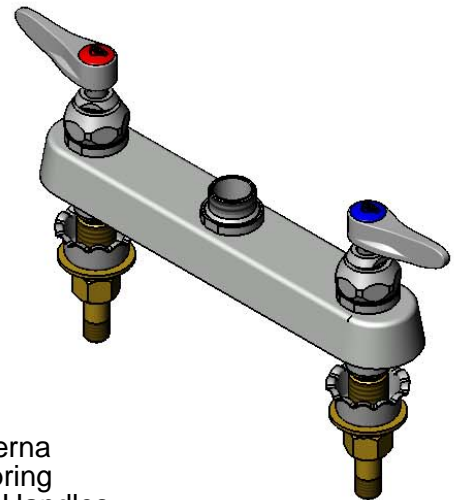
Customer/Wholesaler _____

Contractor _____

Architect/Engineer _____

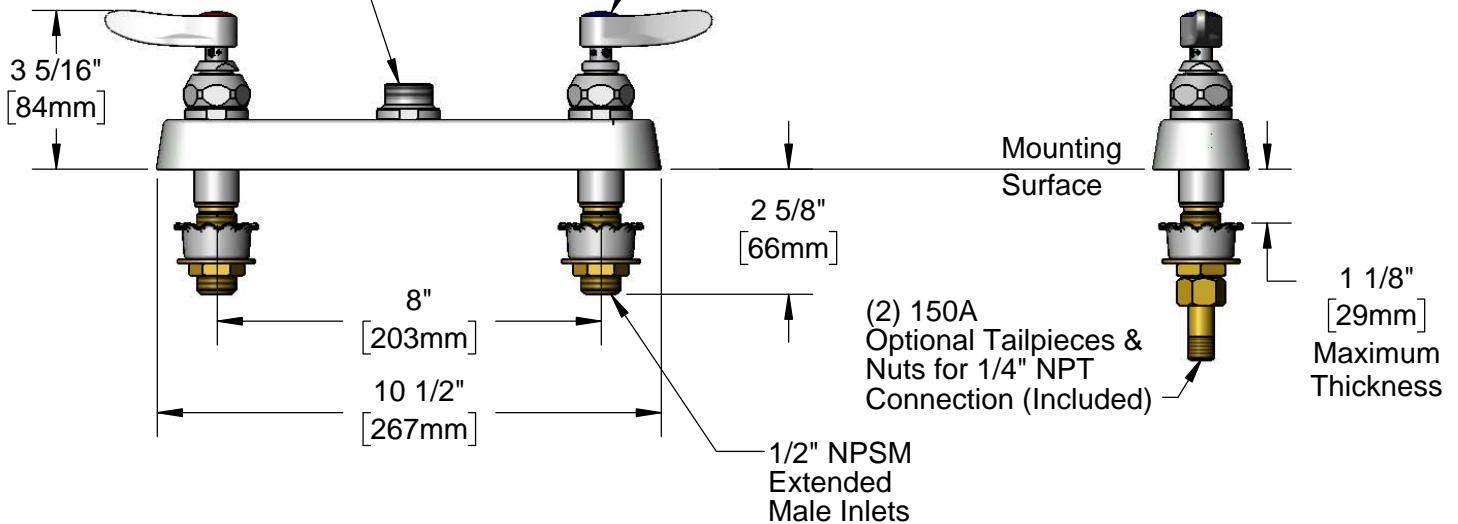


Polished Chrome
Plated Escutcheon



Swivel Outlet Accepts
Standard T&S Swing
Nozzles. Converts to
Rigid w/ 014200-45
Lock Washer (Included)

Quarter-Turn Eterna
Cartridges w/ Spring
Checks & Lever Handles
w/ Color Coded Indexes



Rough-In Requirement:
(2) \varnothing 1" [25mm] Mounting Holes

Product Specifications:
8" Deck Mount Workboard Faucet Less Nozzle, Quarter-Turn Eterna Cartridges w/ Spring Checks, Lever Handles & 1/2" NPSM Extended Male Inlets

Product Compliance:
ASME A112.18.1 / CSA B125.1
NSF 61 - Section 9
NSF 372 (Low Lead Content)
ANSI A117.1 (ADA)



T&S BRASS AND BRONZE WORKS, INC.

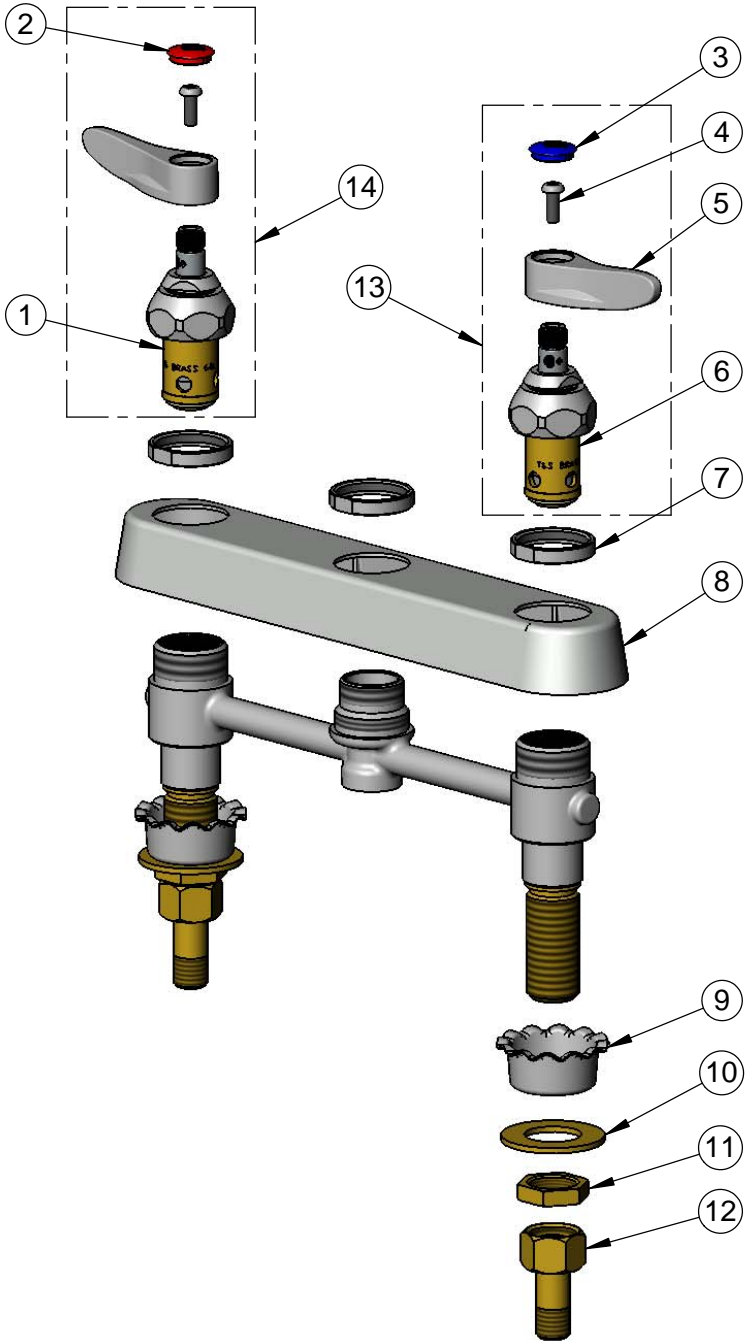
2 Saddleback Cove / P.O. Box 1088
Travelers Rest, SC 29690

Model No.

B-1120-XS-LN

Item No.

Travelers Rest, SC: 800-476-4103 • Simi Valley, CA: 800-423-0150 • Fax: 864-834-3518 • www.tsbrass.com



ITEM NO.	SALES NO.	DESCRIPTION
1	012443-40NS	Quarter-Turn New Style Eterna Cartridge w/ Spring Check, RTC
2	001193-19NS	Red Button Index, Press-in
3	018506-19NS	Blue Button Index, Press-in
4	000925-45	Lab Handle Screw
5	001638-45NS	Lever Handle (New Style)
6	012442-40NS	Quarter-Turn New Style Eterna Cartridge w/ Spring Check, LTC
7	019376-40	Escutcheon Lock Nut
8	019375-40	B-1120 Eterna Workboard Escutcheon
9	001000-45	Rosette Washer
10	000999-45	Brass Lock Washer
11	002954-45	Shank Lock Nut
12	150A	1/4" NPT Tailpiece & Nut
13	002711-40NS	Quarter-Turn Eterna Cartridge w/ Spring Check, Handle, Blue Index & Screw, LTC
14	002712-40NS	Quarter-Turn Eterna Cartridge w/ Spring Check, Handle, Red Index & Screw, RTC


 014200-45
 Lock Washer
 (Converts Swivel to Rigid)

Product Specifications:

8" Deck Mount Workboard Faucet Less Nozzle, Quarter-Turn Eterna Cartridges w/ Spring Checks, Lever Handles & 1/2" NPSM Extended Male Inlets

Product Compliance:

ASME A112.18.1 / CSA B125.1
NSF 61 - Section 9
NSF 372 (Low Lead Content)
ANSI A117.1 (ADA)