



Architect/Engineering Specifications:

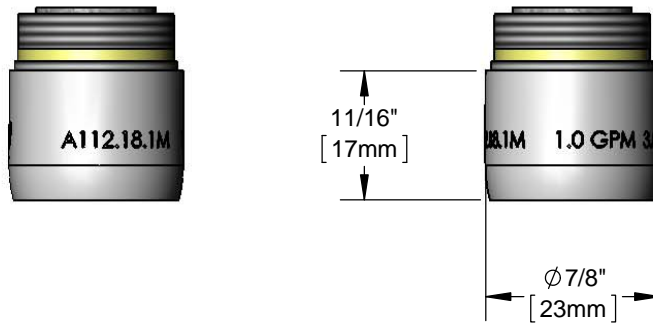
1.0 GPM aerator with polished chrome plated brass body, 55/64-27 UN female thread and 13/16-27 UN male adapter. Certified to ASME A112.18.1/CSA B125.1, NSF 61-Section 9 and NSF 372.

Job Name _____

Model Specified _____ Quantity _____

Variations Specified _____

Date _____



Features & Benefits:

- 1.0 GPM aerator
- 55/64-27 UN female thread
- 13/16-27 UN male adapter w/ washer, Series 3
- Material: Polished chrome plated brass body

Product Compliance:

- ASME A112.18.1 / CSA B125.1
- NSF 61 - Section 9
- NSF 372 (Low Lead Content)



Warranty: One Year (Limited)



Performance Data:

- Pressure: 20 - 125 psi
- Temperature: 40 °F - 140 °F
- Flow Rate: 1.0 GPM @ 60 psi

