



**T&S BRASS AND BRONZE WORKS, INC.**  
 2 Saddleback Cove / P.O. Box 1088  
 Travelers Rest, SC 29690



REG. #A2601  
 ISO #9001

Model No.  
**G016682-45**

Item No.

Travelers Rest, SC: 800-476-4103 Simi Valley, CA: 800-423-0150 Fax: 864-834-3518 www.tsbrass.com

This Space for Architect/Engineer Approval

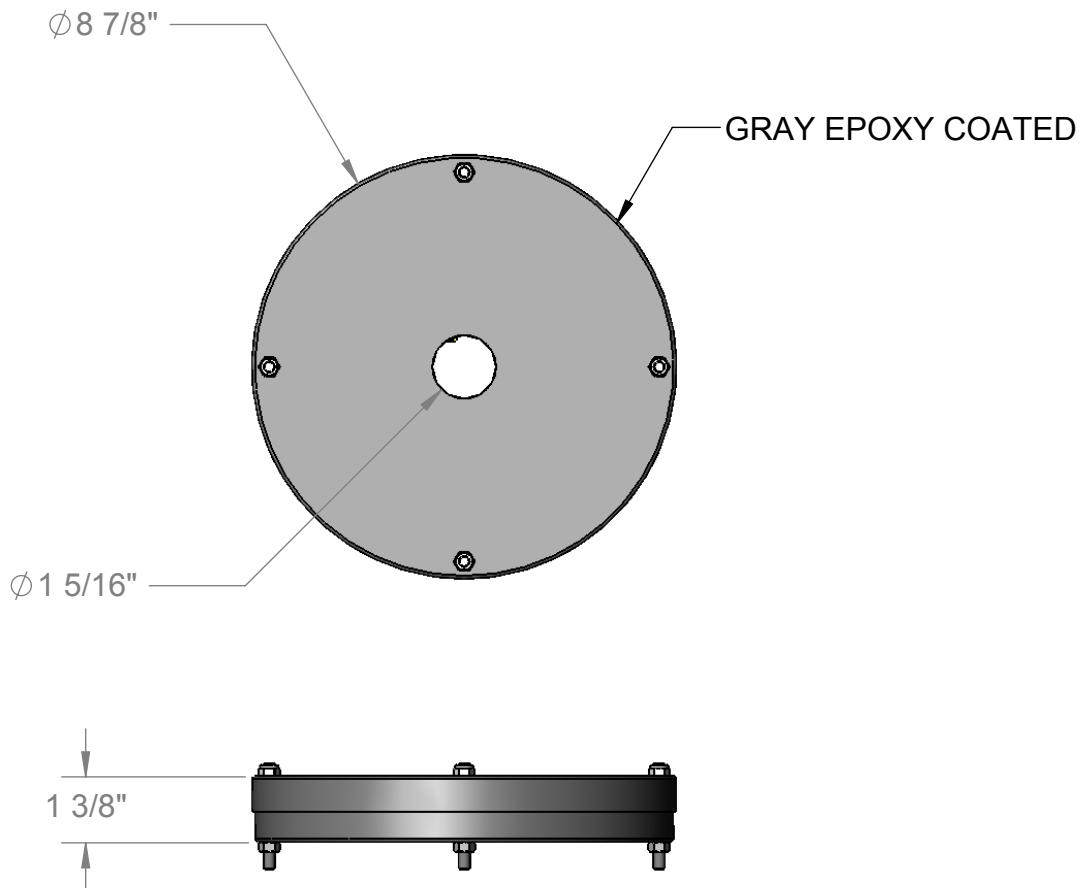
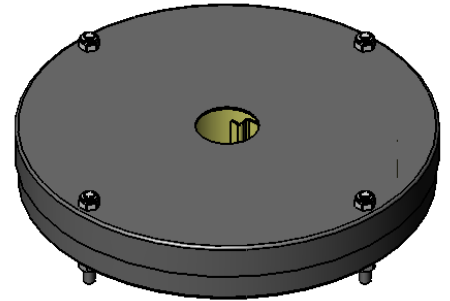
Job Name \_\_\_\_\_ Date \_\_\_\_\_

Model Specified \_\_\_\_\_ Quantity \_\_\_\_\_

Customer/Wholesaler \_\_\_\_\_

Contractor \_\_\_\_\_

Architect/Engineer \_\_\_\_\_



FOUR(4) NUTS INCLUDED TO ATTACH TO REEL.

Product Specifications:  
**SPRING ASSEMBLY FOR 1/4" & 3/8" X 35'**  
**LOW PRESSURE I-REELS**

Drawn JRM	Checked ARH	Approved JHB
Scale: 1:4	Date: 7/11/07	