

Model Number
5PR-2S12V15

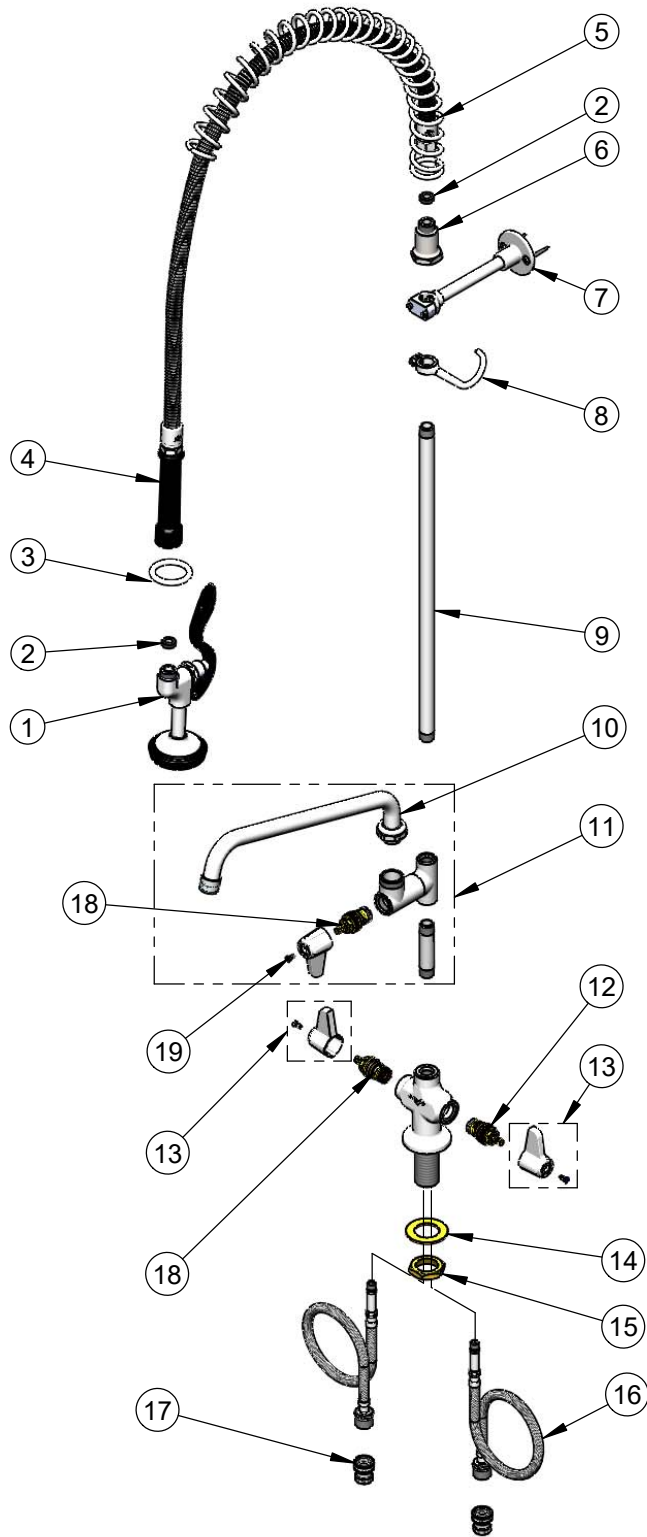
Product Specifications:
Pre-Rinse Unit: Single Hole Deck Mount Mixing Faucet, Quarter-Turn Ceramic Cartridges, Lever Handles, Add-On Faucet w/ 12" Swing Nozzle and 1.5 GPM VR Aerator, 1.15 GPM Spray Valve, 1/2" BSPP In-Line Check Valves, 6" Wall Bracket & Flexible Supply Hoses

Product Compliance:
ASME A112.18.1 / CSA B125.1
NSF 61 - Section 9
NSF 372 (Low Lead Content)
2019 DOE PRSV - Class II
SASO (Saudi Arabia)

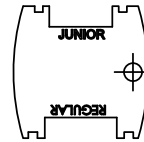
equip
Foodservice
Accessories

equip
by

2 Saddleback Cove, P.O. Box 1088
Travelers Rest, South Carolina 29690
Phone: 800.891.4808 Fax: 800.868.0084
equip.tsbrass.com



ITEM NO.	SALES NO.	DESCRIPTION
1	5SV	equip 1.15 GPM Spray Valve
2	010476-45	#27 Washer
3	000907-45	Spray Valve Hold Down Ring
4	5HSE44	equip 44" Flexible Stainless Steel Hose
5	014068-45	Overhead Spring
6	000821-40	Spring Body
7	013716-40	6" Wall Bracket
8	004R	Finger Hook
9	000369-40	3/8" NPT x 18" Riser
10	5SP-12V15	equip 12" Swing Nozzle w/ 1.5 GPM VR Aerator
11	5AFL12-V15	Add-On Faucet w/ 12" Swing Nozzle
12	013788-45	equip Quarter-Turn Ceramic Cartridge, LTC
13	5-HDL-L	equip Lever Handle w/ Color Coded Screws
14	002290-45	Lock Washer
15	000965-45	Lock Nut
16	012534-45	Flexible Connector Hose
17	010321-45	1/2" BSPP In-Line Check Valve
18	013787-45	equip Quarter-Turn Ceramic Cartridge, RTC
19	013849-45	Handle Screw (10)



015425-45
Vandal Resistant Key

Model Number

5PR-2S12V15

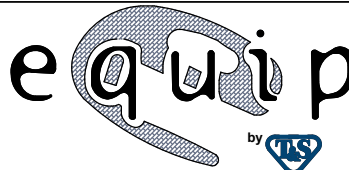
Product Specifications:

Pre-Rinse Unit: Single Hole Deck Mount Mixing Faucet, Quarter-Turn Ceramic Cartridges, Lever Handles, Add-On Faucet w/ 12" Swing Nozzle and 1.5 GPM VR Aerator, 1.15 GPM Spray Valve, 1/2" BSPP In-Line Check Valves, 6" Wall Bracket & Flexible Supply Hoses

Product Compliance:

ASME A112.18.1 / CSA B125.1
NSF 61 - Section 9
NSF 372 (Low Lead Content)
2019 DOE PRSV - Class II
SASO (Saudi Arabia)

equip
Foodservice
Accessories



2 Saddleback Cove, P.O. Box 1088
Travelers Rest, South Carolina 29690
Phone: 800.891.4808 Fax: 800.868.0084
equip.tsbrass.com