

T&S BRASS AND BRONZE WORKS, INC.  
 2 SADDLEBACK COVE / P.O. BOX 1088 / TRAVELERS REST, SC 29690  
 PHONE 800-476-4103 FAX 864- 834-3518



Sales No.

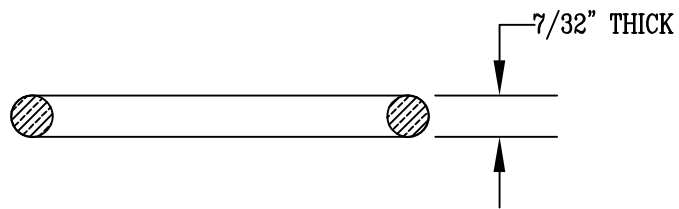
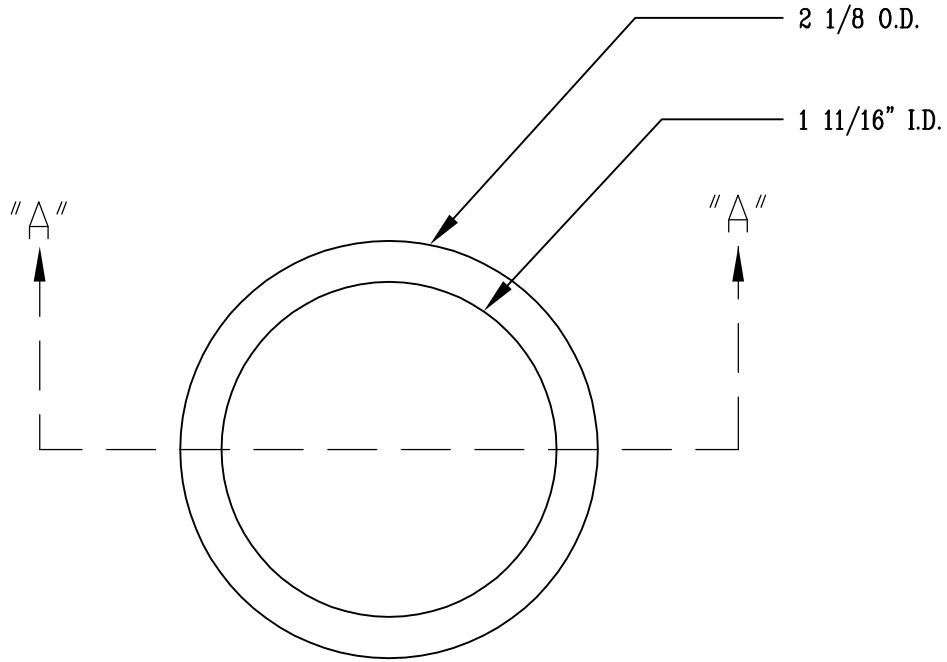
010389-45

Item No.:

Job Name:

Architect/Engineer Approval:

Notes:



SECTION "A-A"

Product Description:

O-RING FOR ROTARY WASTE VALVE PLUNGER

Drawn:

WJS

Approved

CA

Checked

ARD

Scale:

1 : 1

Date:

10/13/97