



T&S BRASS AND BRONZE WORKS, INC.

2 Saddleback Cove / P.O. Box 1088
Travelers Rest, SC 29690

Model No.

B-0664

Item No.

Travelers Rest, SC: 800-476-4103 • Simi Valley, CA: 800-423-0150 • Fax: 864-834-3518 • www.tsbrass.com



ADA Compliant

This Space for Architect/Engineer Approval

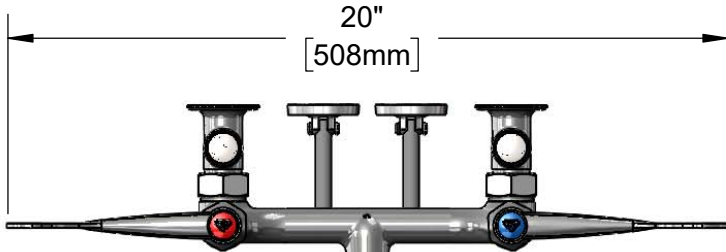
Job Name _____ Date _____

Model Specified _____ Quantity _____

Customer/Wholesaler _____

Contractor _____

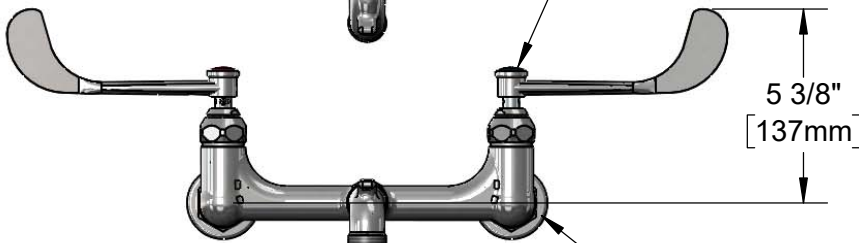
Architect/Engineer _____



20"
[508mm]



Quarter-Turn
Eterna Cartridges w/
Spring Checks &
6" Wrist Action Handles
w/ Color Coded Indexes



5 3/8"
[137mm]

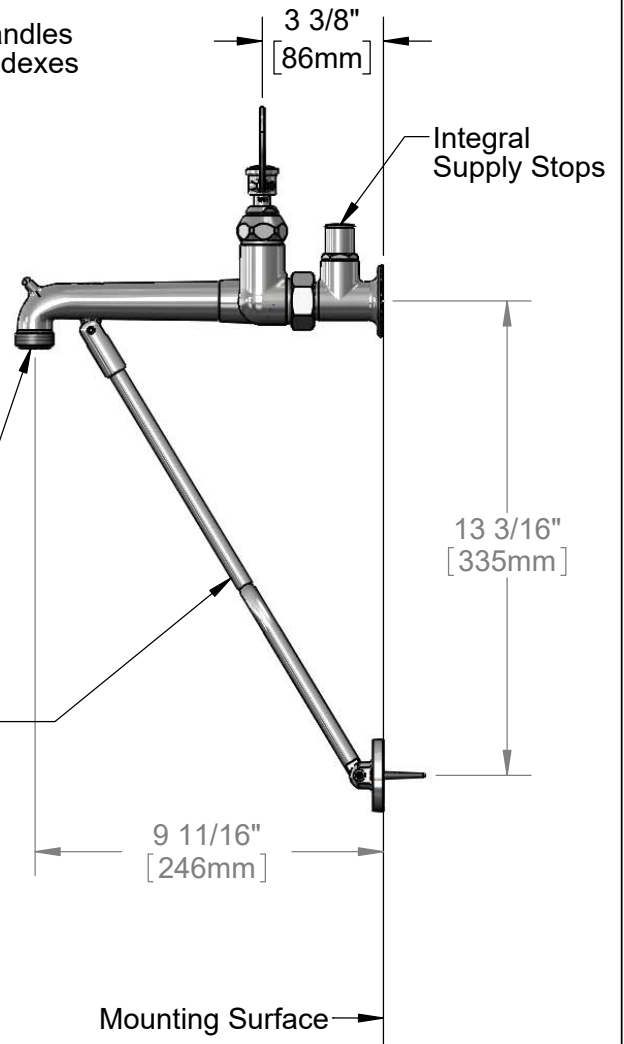
Ø2"
[51mm]
Flanges w/
1/2" NPT
Female Inlets

Garden Hose
Male Outlet

Lower Wall Support
Rod Furnished
w/ Wall Bracket &
Mounting Screws

2 7/16"
[62mm]

8"
[203mm]
Adjustable From
7 3/4" to 8 1/4"
[197mm to 210mm]



3 3/8"
[86mm]

Integral
Supply Stops

13 3/16"
[335mm]

9 11/16"
[246mm]

Mounting Surface

Product Specifications:

8" Wall Mount Service Sink Faucet, Quarter-Turn Eterna Cartridge w/ Spring Checks, 6" Wrist Action Handles, Lower Support Rod, Male Garden Hose Outlet, Polished Chrome Finish, 1/2" NPT Female Inlets w/ Integral Supply Stops

Product Compliance:

ASME A112.18.1 / CSA B125.1
NSF 61 - Section 9
NSF 372 (Low Lead Content)
ANSI A117.1 (ADA)



T&S BRASS AND BRONZE WORKS, INC.

2 Saddleback Cove / P.O. Box 1088
Travelers Rest, SC 29690

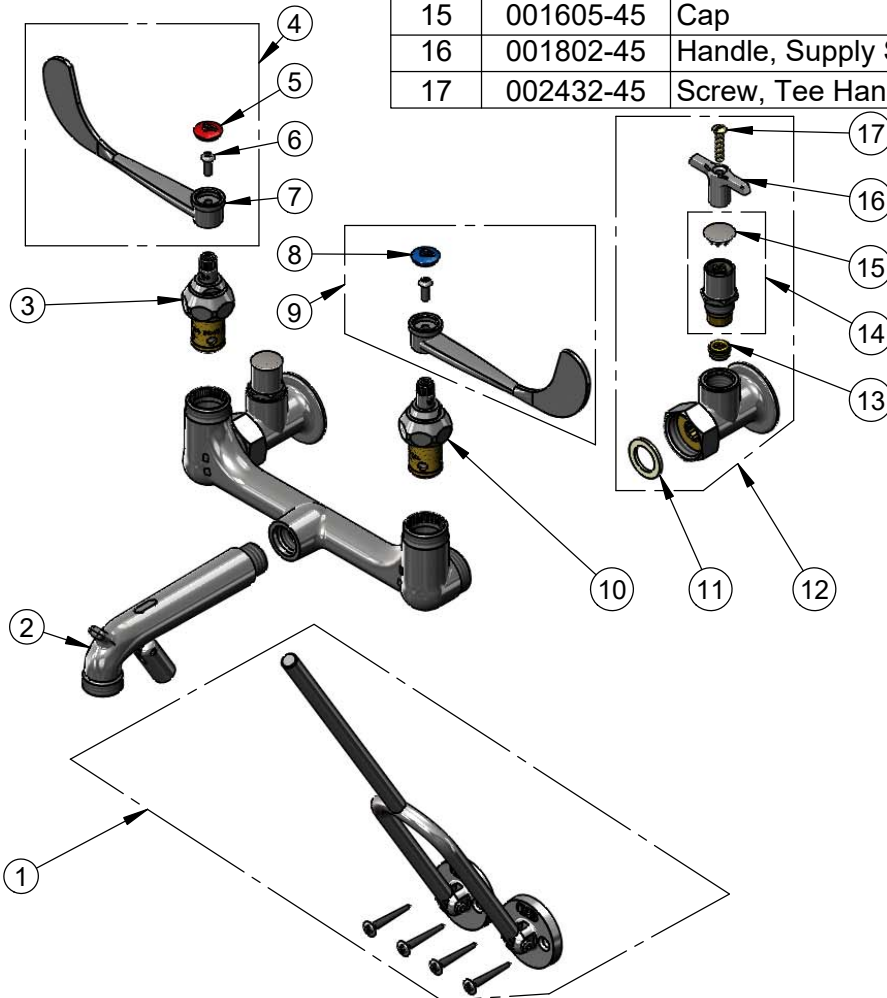
Model No.

B-0664

Item No.

Travelers Rest, SC: 800-476-4103 • Simi Valley, CA: 800-423-0150 • Fax: 864-834-3518 • www.tsbrass.com

ITEM NO.	SALES NO.	DESCRIPTION
1	009616-40	Lower Support Rod w/ Mounting Screws
2	016450-40	Spout Assembly, Polished Chrome w/ Lower Clevis
3	012443-40NS	Quarter-Turn Eterna Cartridge w/ Spring Check, RTC
4	B-WH6H-NS	6" Wrist Action Handle, Red Index & Screw
5	001193-19NS	Red Button Index, Press-in
6	000925-45	Lab Handle Screw
7	B-WH6	6" Wrist Action Handle
8	018506-19NS	Blue Button Index, Press-in
9	B-WH6C-NS	6" Wrist Action Handle, Blue Index & Screw
10	012442-40NS	Quarter-Turn Eterna Cartridge w/ Spring Check, LTC
11	001019-45	Coupling Nut Washer
12	00JJ	1/2" NPT Female Inlet w/ Loose Key Stop
13	000763-20	Seat
14	002892-40	Service Stop Spindle w/ Cap
15	001605-45	Cap
16	001802-45	Handle, Supply Stop "Tee"
17	002432-45	Screw, Tee Handle



Product Specifications:

8" Wall Mount Service Sink Faucet, Quarter-Turn Eterna Cartridge w/ Spring Checks, 6" Wrist Action Handles, Lower Support Rod, Male Garden Hose Outlet, Polished Chrome Finish, 1/2" NPT Female Inlets w/ Integral Supply Stops

Product Compliance:

ASME A112.18.1 / CSA B125.1
NSF 61 - Section 9
NSF 372 (Low Lead Content)
ANSI A117.1 (ADA)