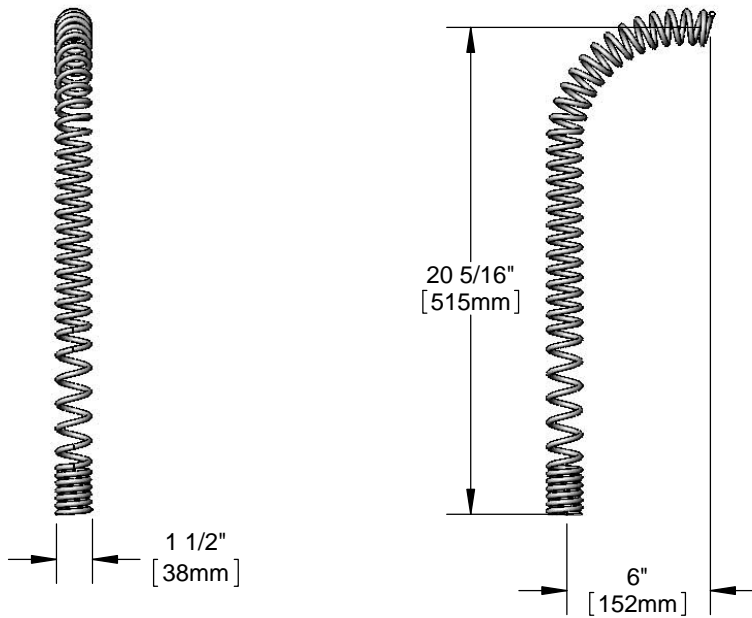
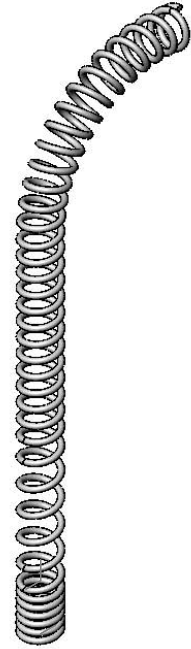




Architect/Engineering Specifications:

Polished chrome pre-rinse overhead spring.

Job Name _____
 Model Specified _____ Quantity _____
 Variations Specified _____
 Date _____



Features & Benefits:

- Pre-rinse spring
- Material: Chrome plated steel

Product Compliance:

- N/A

Warranty: One Year (Limited)

Performance Data:

- N/A

