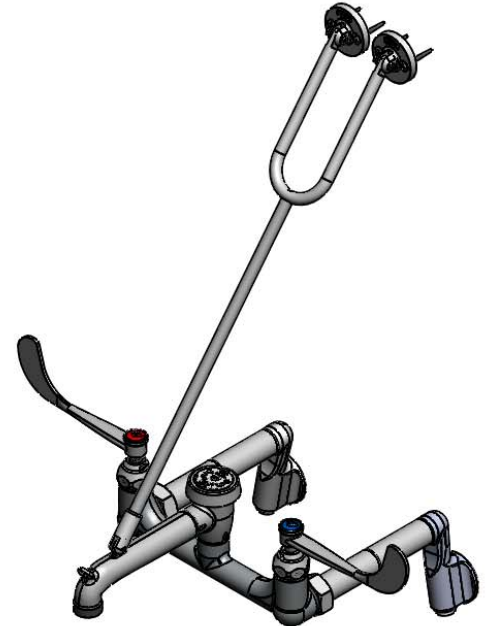
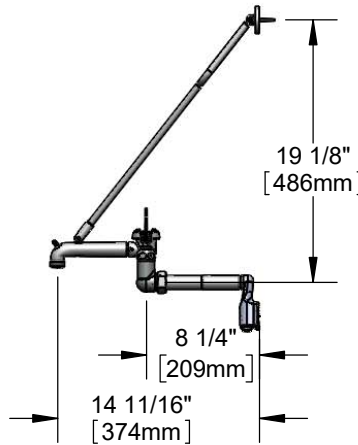
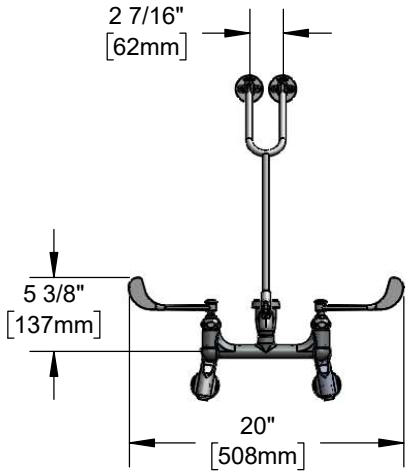




Architect/Engineering Specifications:

Adjustable wall mount mixing faucet with polished chrome plated brass body, polished chrome plated brass spout with vacuum breaker, pail hook and garden hose male outlet, compression cartridges with spring checks, 6" wrist action handles, 1/2" NPT female adjustable extension inlets with built-in service stops and upper support rod. Certified to ASME A112.18.1/CSA B125.1, NSF 61-Section 9, NSF 372 and ASSE 1001. Meets ADA ANSI/ICC A117.1 requirements.

Job Name _____
 Model Specified _____ Quantity _____
 Variations Specified _____
 Date _____



Features & Benefits:

- Adjustable wall mount mixing faucet with polished chrome plated brass body
- Vacuum breaker spout with pail hook & 3/4" garden hose male outlet
- 6" wrist action handles with color coded indexes
- Quarter-turn Eterna compression cartridges with spring checks to prevent cross flow of water
- 1/2" NPT female adjustable arm inlets with Ø2" flange & built-in service stops
- Adjustable centers from 3 1/4" to 12 3/4" above or below centerline
- Inlet extensions allow 8 1/4" from wall to center of faucet
- Upper support rod
- Material: Polished chrome plated brass body, spout and handles

Product Compliance:

- ASME A112.18.1 / CSA B125.1
- NSF 61 - Section 9
- NSF 372 (Low Lead Content)
- ANSI A117.1 (ADA)
- ASSE 1001 (VB)

Warranty: One Year (Limited)

Performance Data:

- Pressure: 20 - 125 psi [1.38 - 8.62 bar]
- Temperature: 40°F - 140°F [4.44 °C - 60 °C]
- Flow Rate: 12.33 GPM [46.67 L/min] @ 60 psi [4.14 bar]



Optional Handles

- 4" Wrist Action
- Lever
- 4-Arm

Optional Cartridges With Checks

- Quarter-Turn Cerama w/ Check Valve
- Quarter-Turn Eterna w/ Spring Check (Standard)

