



T&S BRASS AND BRONZE WORKS, INC.
 2 Saddleback Cove / P.O. Box 1088
 Travelers Rest, SC 29690

Model No.
AW-5 Series

Item No.

Travelers Rest, SC: 800-476-4103 • Simi Valley, CA: 800-423-0150 • Fax: 864-834-3518 • www.tsbrass.com

This Space for Architect/Engineer Approval

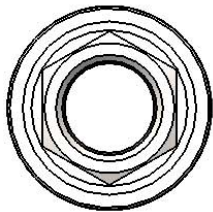
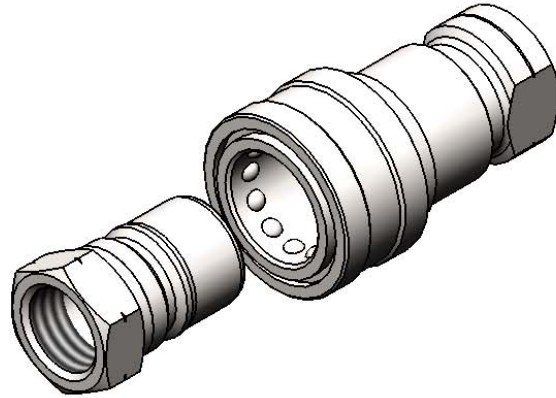
Job Name _____ Date _____

Model Specified _____ Quantity _____

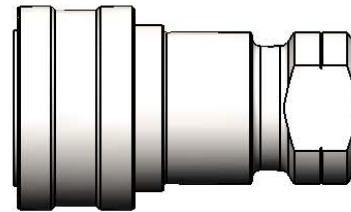
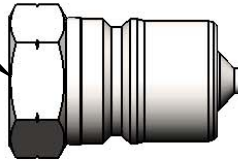
Customer/Wholesaler _____

Contractor _____

Architect/Engineer _____



NPT Female



NPT Female

1/4" NPT	3/8" NPT	1/2" NPT	3/4" NPT
AW-5A	AW-5B	AW-5C	AW-5D

AW-5 Series Product Configurator: AW - 5

Ex: AW - 5 C

Stainless Steel Quick-Disconnect, 1/2" NPT

Product Specifications:
 Safe-T-Link Water Appliance Connector:
 Stainless Steel Quick-Disconnect, 1/4" NPT - 3/4" NPT

Product Compliance:
 ASME A112.18.1 / CSA B125.1
 NSF 61 - Section 9
 NSF 372 (Low Lead Content)