



**T&S BRASS AND BRONZE WORKS, INC.**  
 2 Saddleback Cove / P.O. Box 1088  
 Travelers Rest, SC 29690

Model No.  
**EU-2DP00**

Item No.

Travelers Rest, SC: 800-476-4103 • Simi Valley, CA: 800-423-0150 • Fax: 864-834-3518 • www.tsbrass.com

This Space for Architect/Engineer Approval

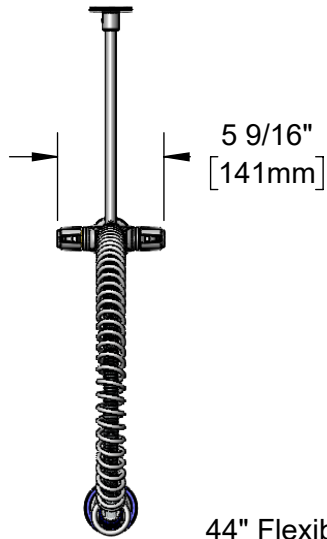
Job Name \_\_\_\_\_ Date \_\_\_\_\_

Model Specified \_\_\_\_\_ Quantity \_\_\_\_\_

Customer/Wholesaler \_\_\_\_\_

Contractor \_\_\_\_\_

Architect/Engineer \_\_\_\_\_



44" Flexible Stainless Steel Hose w/ Spring & Spray Valve

Items Not Shown For Clarity

EB-0107 High Flow Spray Valve (Blue)

B-0109-03 12" Wall Bracket

Finger Hook

Quarter-Turn Ceramic Cartridges & Euro Lever Handles w/ Color Coded Screws

3/8" NPT x 24" Riser

EasyInstall Lock Nut & Bushing

12 1/2" [318mm]

14 1/16" [357mm]

42 1/8" [1070mm]

Mounting Surface

Ø 2 1/4" [57mm] Flange w/ Ø 1 1/8" Shank

19 11/16" [500mm] Flexible Supply Hoses w/ G1/2 (1/2" BSPP) Female Swivel Nut Fittings

Check Valve Adapters w/ 1/2" NPSM Female Inlets

1 7/8" [48mm] Maximum Thickness

Rough-In Requirement:  
 Ø 1 1/2" [38mm] Mounting Hole

Product Specifications:

International Pre-Rinse Unit: Single Hole Deck Mount Mixing Faucet, Quarter-Turn Ceramic Cartridges, Euro Lever Handles, High Flow Spray Valve (Blue), 44" Flexible Stainless Steel Hose, 12" Wall Bracket, 19 11/16" [500mm] Flexible Supply Hoses w/ G1/2 (1/2" BSPP) Female Nut Fittings & Check Valve Adapters w/ 1/2" NPSM Female Inlets

Product Compliance:

ASME A112.18.1 / CSA B125.1  
 NSF 61 - Section 9  
 NSF 372 (Low Lead Content)  
 2019 DOE PRSV Non-Compliant  
 Product Not Designed/Intended for Commercial Warewashing in North America



# T&S BRASS AND BRONZE WORKS, INC.

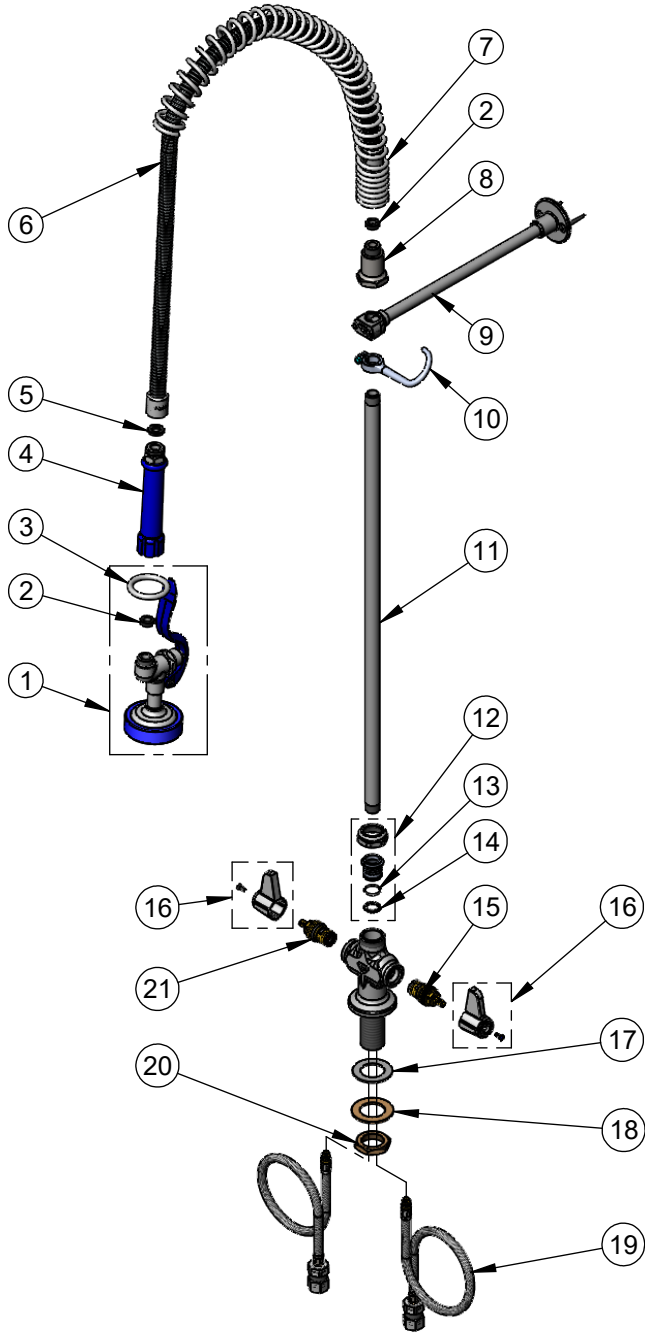
2 Saddleback Cove / P.O. Box 1088  
Travelers Rest, SC 29690

Model No.

**EU-2DP00**

Item No.

Travelers Rest, SC: 800-476-4103 • Simi Valley, CA: 800-423-0150 • Fax: 864-834-3518 • www.tsbrass.com



ITEM NO.	SALES NO.	DESCRIPTION
1	EB-0107	High Flow Spray Valve (Blue)
2	010476-45	#27 Washer
3	000907-45	Spray Valve Hold Down Ring
4	011482-40	Grip Handle (Blue)
5	001014-45	Washer, Hose Barrel
6	B-0044-H2A	44" Flexible Stainless Steel Hose, Less Handle
7	000888-45	EasyInstall Overhead Spring
8	000821-40	Spring Body
9	B-0109-03	12" Wall Bracket
10	004R	Finger Hook
11	000372-40	3/8" NPT x 24" Riser
12	EU-EZ-K	Euro EasyInstall Kit
13	001062-45	O-Ring
14	014200-45	Star Washer, Anti-Rotation equip Quarter-Turn Ceramic Cartridge, LTC
15	013788-45	Star Washer, Anti-Rotation equip Quarter-Turn Ceramic Cartridge, RTC
16	E-HDL-L	Euro Lever Handle w/ Color Coded Screws
17	014612-45	Deck Seal
18	002290-45	Lock Washer
19	016068-25DR	Flexible Connector Hose w/ Check Valve Adapter
20	000965-45	Lock Nut
21	013787-45	Star Washer, Anti-Rotation equip Quarter-Turn Ceramic Cartridge, RTC

**Product Specifications:**

International Pre-Rinse Unit: Single Hole Deck Mount Mixing Faucet, Quarter-Turn Ceramic Cartridges, Euro Lever Handles, High Flow Spray Valve (Blue), 44" Flexible Stainless Steel Hose, 12" Wall Bracket, 19 11/16" [500mm] Flexible Supply Hoses w/ G1/2 (1/2" BSPP) Female Nut Fittings & Check Valve Adapters w/ 1/2" NPSM Female Inlets

**Product Compliance:**

ASME A112.18.1 / CSA B125.1  
NSF 61 - Section 9  
NSF 372 (Low Lead Content)  
2019 DOE PRSV Non-Compliant  
Product Not Designed/Intended for Commercial Warewashing in North America