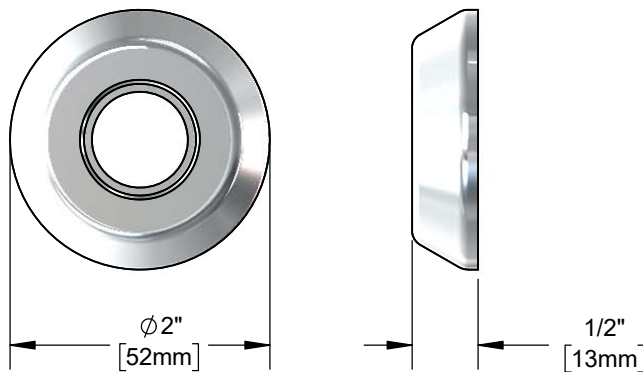




Architect/Engineering Specifications:

Polished chrome plated glass filler flange with 1/2" NPSL female threads.

Job Name _____
 Model Specified _____ Quantity _____
 Variations Specified _____
 Date _____



Features & Benefits:

- Glass filler flange
- 1/2" NPSL female threads
- Material: Polished chrome plated brass

Product Compliance:

- N/A

Warranty: One Year (Limited)

Performance Data:

- N/A

