



T&S BRASS AND BRONZE WORKS, INC.

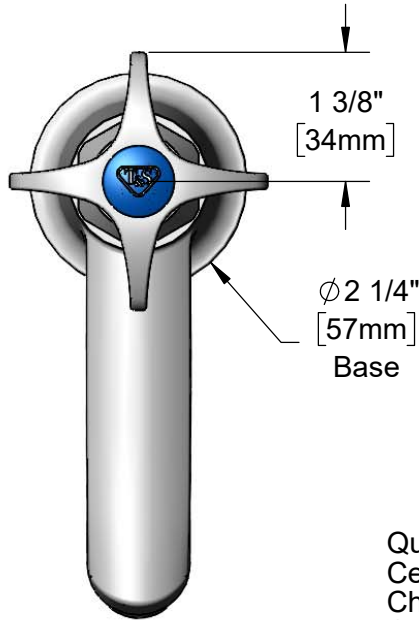
2 Saddleback Cove / P.O. Box 1088
Travelers Rest, SC 29690

Model No.

B-0710-LT-CR

Item No.

Travelers Rest, SC: 800-476-4103 • Simi Valley, CA: 800-423-0150 • Fax: 864-834-3518 • www.tsbrass.com



ADA Compliant

This Space for Architect/Engineer Approval

Job Name _____ Date _____

Model Specified _____ Quantity _____

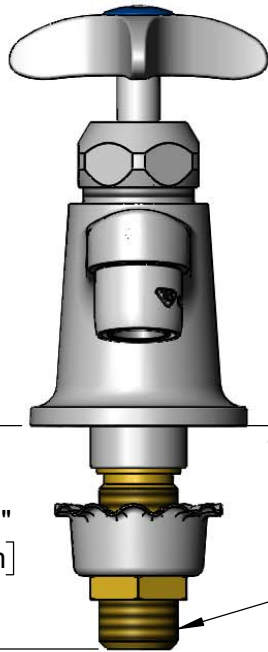
Customer/Wholesaler _____

Contractor _____

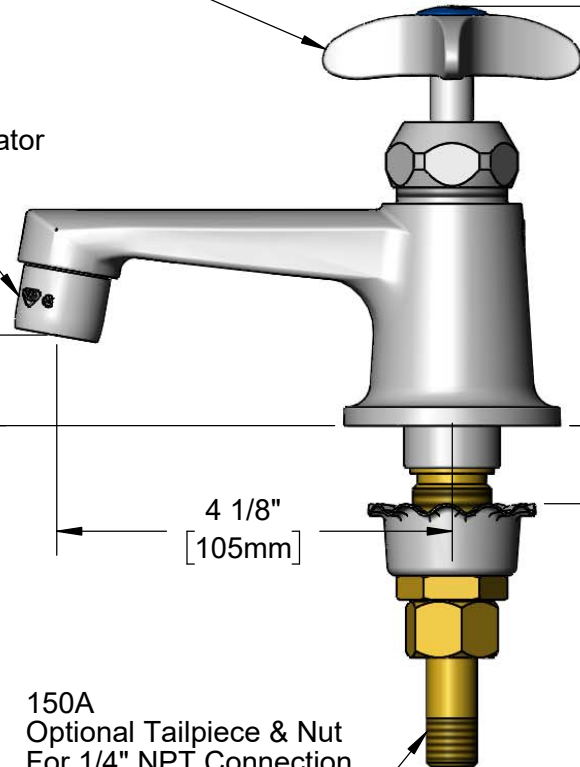
Architect/Engineer _____



Quarter-Turn
Cerama Cartridge w/
Check Valve &
4-Arm Handle w/
Blue (Cold) Index



B-PT
Stream Regulator
Outlet



4 3/8"
[111mm]

2 5/16"
[59mm]

Mounting
Surface

15/16"
[24mm]

1/2" NPSM
Male Inlet

4 1/8"
[105mm]

13/16"
[21mm]
Maximum
Thickness

150A
Optional Tailpiece & Nut
For 1/4" NPT Connection
(Included)

Rough-In Requirement:
Ø 1 1/8" [29mm] Mounting Hole

Product Specifications:

Single Hole Single Temperature Deck Mount Basin Faucet,
Quarter-Turn Cerama Cartridge w/ Check Valve, 4-Arm Kitchen Handle,
Cold Index, Stream Regulator Outlet & 1/2" NPSM Male Inlet

Product Compliance:

ASME A112.18.1 / CSA B125.1
NSF 61 - Section 9
NSF 372 (Low Lead Content)
ANSI A117.1 (ADA)

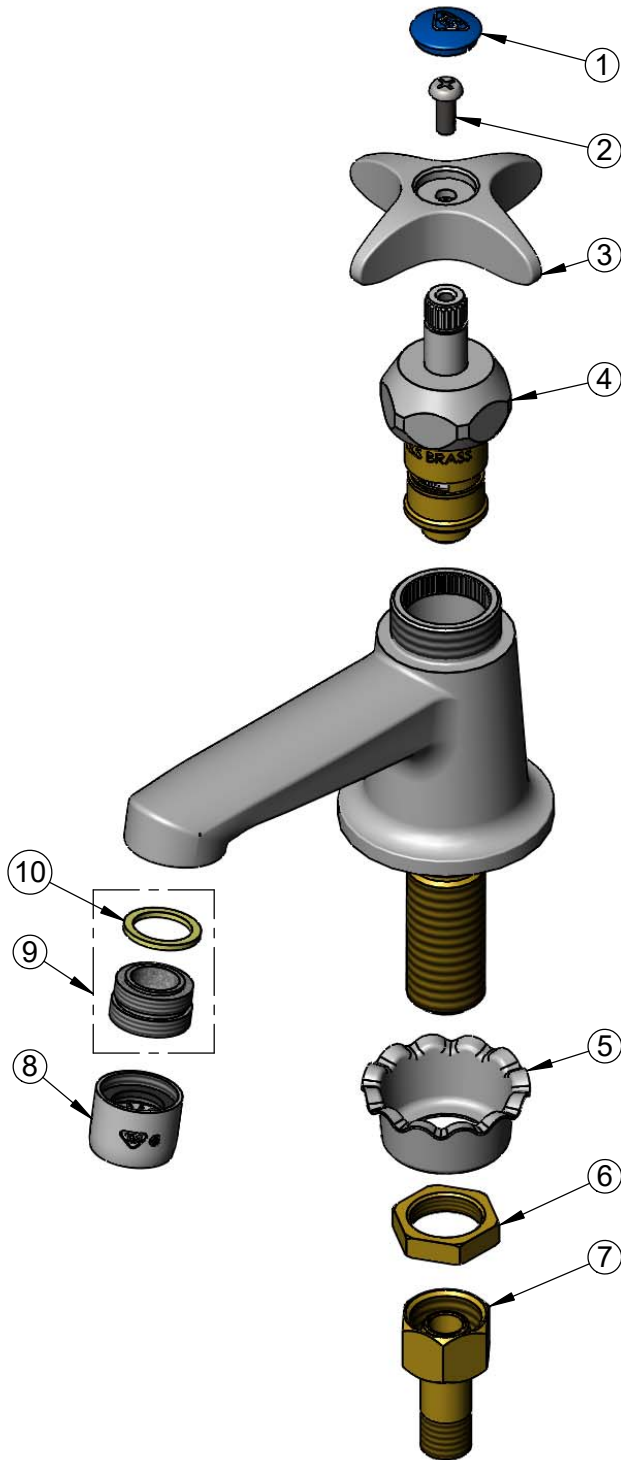


T&S BRASS AND BRONZE WORKS, INC.
 2 Saddleback Cove / P.O. Box 1088
 Travelers Rest, SC 29690

Model No.
B-0710-LT-CR
 Item No.

Travelers Rest, SC: 800-476-4103 • Simi Valley, CA: 800-423-0150 • Fax: 864-834-3518 • www.tsbrass.com

ITEM NO.	SALES NO.	DESCRIPTION
1	018506-19NS	Blue Button Index, Press-in
2	000925-45	Lab Handle Screw
3	002521-45NS	4-Arm Handle (New Style)
4	012394-25NS	Quarter-Turn Cerama Cartridge w/ Check Valve, RTC
5	001000-45	Rosette Washer
6	002954-45	Shank Lock Nut
7	150A	1/4" NPT Tailpiece & Nut
8	B-PT	Full Flow Stream Regulator, 55/64-27
9	001651-47	Aerator Adapter
10	001048-45	Nozzle Tip Washer



Product Specifications:
 Single Hole Single Temperature Deck Mount Basin Faucet,
 Quarter-Turn Cerama Cartridge w/ Check Valve, 4-Arm Kitchen Handle,
 Cold Index, Stream Regulator Outlet & 1/2" NPSM Male Inlet

Product Compliance:
 ASME A112.18.1 / CSA B125.1
 NSF 61 - Section 9
 NSF 372 (Low Lead Content)
 ANSI A117.1 (ADA)