



**Faucets and Fittings**  
**B-CVH3-4**

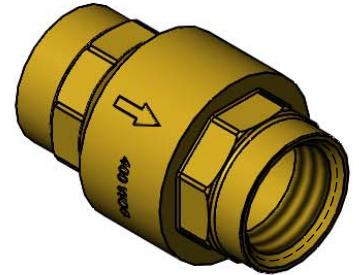
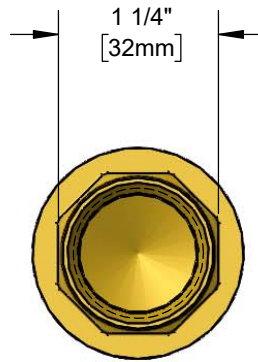
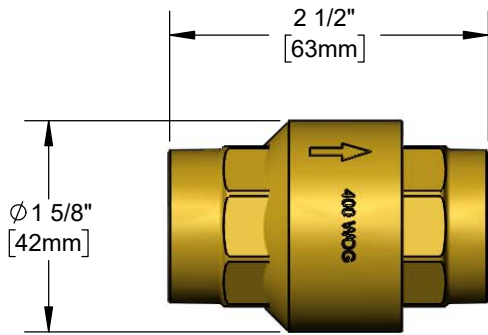
TAG:

*3/4" NPT Check Valve*

**Architect/Engineering Specifications:**

Check valve for water use only with 3/4" NPT inlet and outlet. Certified to ASME A112.18.1/CSA B125.1, NSF 61-Section 9 and NSF 372.

Job Name \_\_\_\_\_  
 Model Specified \_\_\_\_\_ Quantity \_\_\_\_\_  
 Variations Specified \_\_\_\_\_  
 Date \_\_\_\_\_



**Features & Benefits:**

- 3/4" NPT check valve
- For water use only
- 3/4" NPT inlet and outlet
- Material: Brass

**Product Compliance:**

- ASME A112.18.1 / CSA B125.1
- NSF 61 - Section 9
- NSF 372 (Low Lead Content)



**Warranty:** One Year (Limited)



**Performance Data:**

- Pressure: 20 - 400 psi [1.4 - 27.6 bar]
- Temperature: 40°F - 200°F [4.44°C - 93.3°C]
- Flow Rate: 43.1 GPM @ 60 psi [163.2 L/min @ 4.1 bar]



**T&S BRASS AND BRONZE WORKS, INC.**



• 2 Saddleback Cove • Travelers Rest, SC 29690  
 Ph 800-476-4103 • Fax 864-834-3518  
 • Simi Valley, CA • Ph 800-423-0150 • www.tsbrass.com

Date: 07/31/20