



# T&S BRASS AND BRONZE WORKS, INC.

2 Saddleback Cove / P.O. Box 1088  
Travelers Rest, SC 29690

Model No.

**B-0513-01**

Item No.

Travelers Rest, SC: 800-476-4103 • Simi Valley, CA: 800-423-0150 • Fax: 864-834-3518 • www.tsbrass.com

This Space for Architect/Engineer Approval

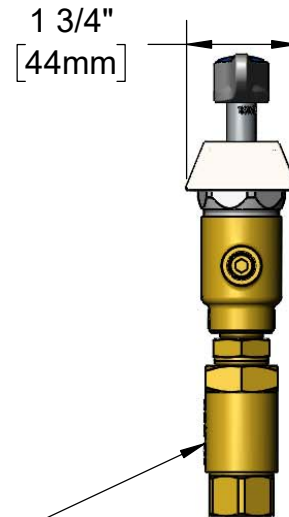
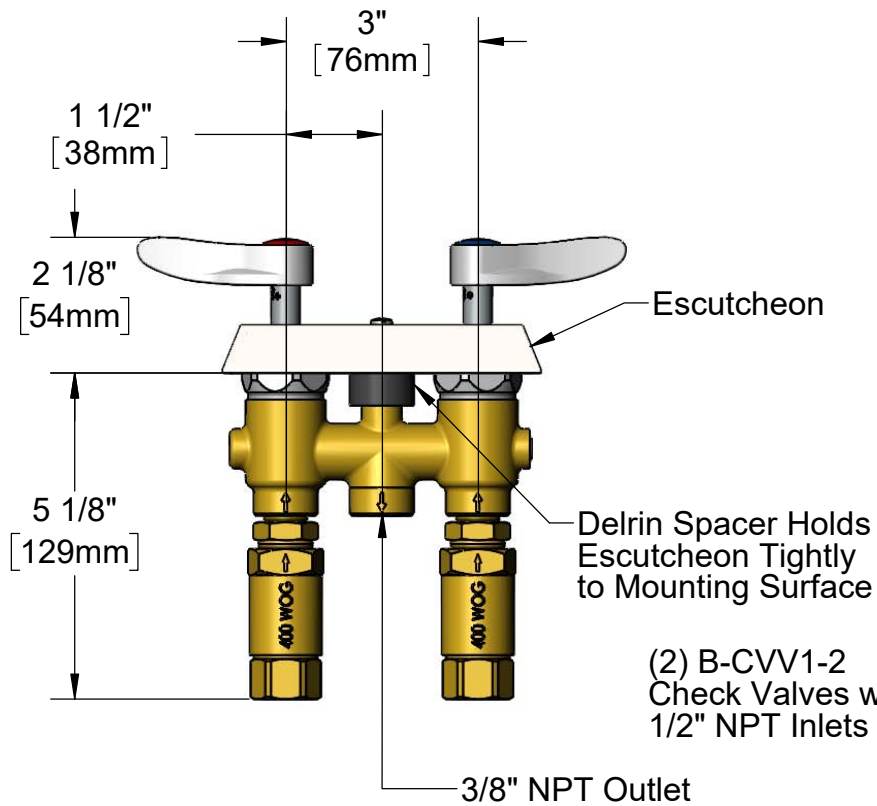
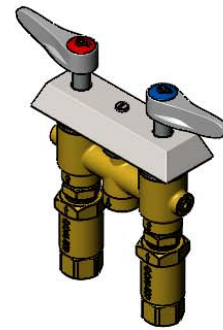
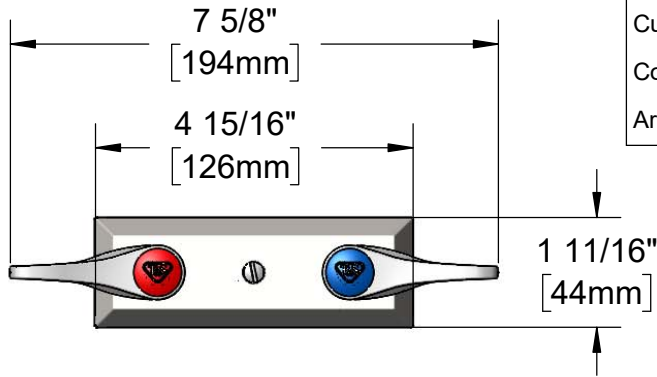
Job Name \_\_\_\_\_ Date \_\_\_\_\_

Model Specified \_\_\_\_\_ Quantity \_\_\_\_\_

Customer/Wholesaler \_\_\_\_\_

Contractor \_\_\_\_\_

Architect/Engineer \_\_\_\_\_



**Rough-In Requirement:**  
(2)  $\varnothing$  1 9/16" [40mm] Faucet Mounting Holes  
 $\varnothing$  1/4" [6mm] Center Mounting Screw

**Product Specifications:**  
Concealed Mixing Faucet w/ Lever Handles, Adapters & Check Valves

**Product Compliance:**  
ASME A112.18.1 / CSA B125.1  
NSF 61 - Section 9  
NSF 372 (Low Lead Content)  
ANSI A117.1 (ADA)

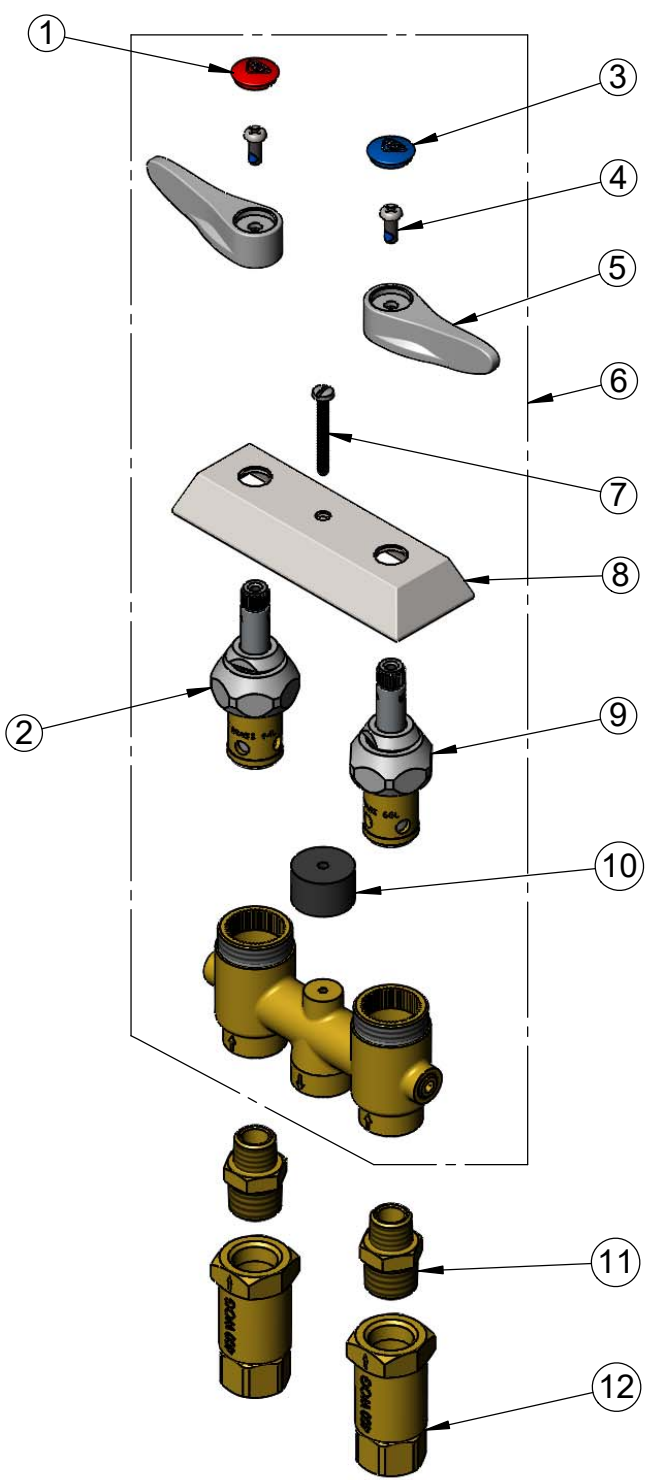


**T&S BRASS AND BRONZE WORKS, INC.**  
 2 Saddleback Cove / P.O. Box 1088  
 Travelers Rest, SC 29690

Model No.  
**B-0513-01**

Item No.

Travelers Rest, SC: 800-476-4103 • Simi Valley, CA: 800-423-0150 • Fax: 864-834-3518 • www.tsbrass.com



ITEM NO.	SALES NO.	DESCRIPTION
1	001193-19NS	Red Button Index, Press-in
2	006020-40NS	Quarter-Turn Long Spindle Eterna Cartridge w/ Spring Check, RTC
3	018506-19NS	Blue Button Index, Press-in
4	000925-45	Lab Handle Screw
5	001638-45NS	Lever Handle (New Style)
6	B-0513	Concealed Mixing Faucet w/ Lever Handles
7	002819-45	Screw
8	000020-40	Escutcheon
9	006021-40NS	Quarter-Turn Long Spindle Eterna Cartridge w/ Spring Check, LTC
10	015986-45	Spacer
11	062A	Adapter, Male - 3/8 NPT x 1/2 NPT
12	B-CVV1-2	1/2" Check Valve

Product Specifications:  
 Concealed Mixing Faucet w/ Lever Handles, Adapters & Check Valves

Product Compliance:  
 ASME A112.18.1 / CSA B125.1  
 NSF 61 - Section 9  
 NSF 372 (Low Lead Content)  
 ANSI A117.1 (ADA)