



T&S BRASS AND BRONZE WORKS, INC.

2 Saddleback Cove / P.O. Box 1088
Travelers Rest, SC 29690

Model No.

B-0230-134XA

Item No.

Travelers Rest, SC: 800-476-4103 • Simi Valley, CA: 800-423-0150 • Fax: 864-834-3518 • www.tsbrass.com



ADA Compliant

This Space for Architect/Engineer Approval

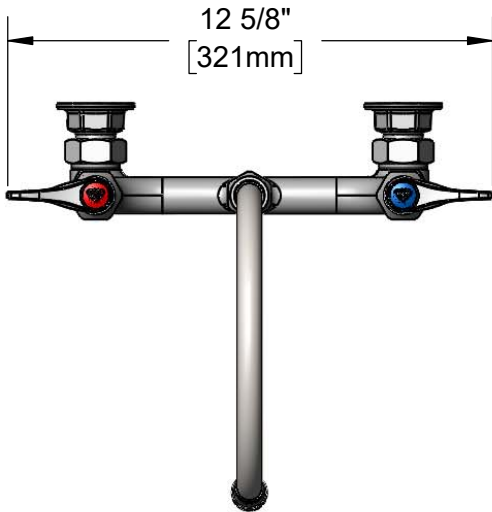
Job Name _____ Date _____

Model Specified _____ Quantity _____

Customer/Wholesaler _____

Contractor _____

Architect/Engineer _____

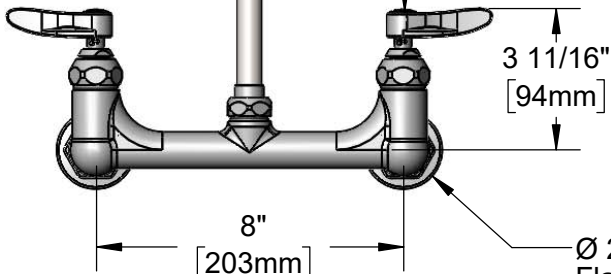


12 5/8"
[321mm]



Swivel/Rigid Gooseneck
w/ B-0199-02 2.2 GPM
Aerator Converts to Rigid
w/ 014200-45 Lock
Washer (Included).

Quarter-Turn
Eterna Cartridges
w/ Spring Checks &
Lever Handles w/
Color Coded Indexes

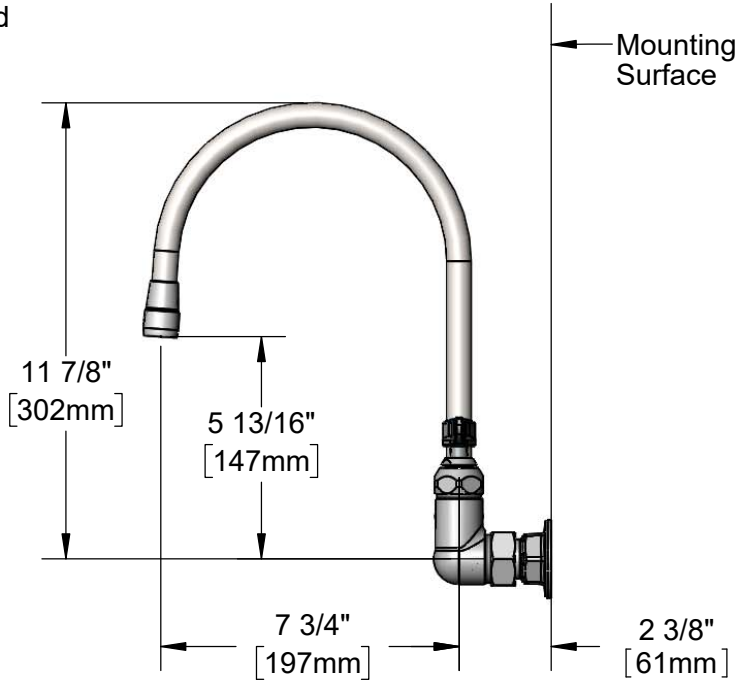


3 11/16"
[94mm]

8"
[203mm]

Adjustable from
7 3/4" to 8 1/4"
[197mm to 210mm]

Ø 2 [51mm]
Flanges w/
1/2" NPT
Female Inlets



11 7/8"
[302mm]

5 13/16"
[147mm]

7 3/4"
[197mm]

2 3/8"
[61mm]

Mounting
Surface

Product Specifications:

8" Wall Mount Mixing Faucet, Quarter-Turn Eterna Cartridges w/ Spring Checks, Lever Handles, 7 3/4" Swivel/Rigid Gooseneck w/ 2.2 GPM Aerator and 1/2" NPT Female Inlets

Product Compliance:

ASME A112.18.1 / CSA B125.1
NSF 61 - Section 9
NSF 372 (Low Lead Content)
ANSI A117.1 (ADA)



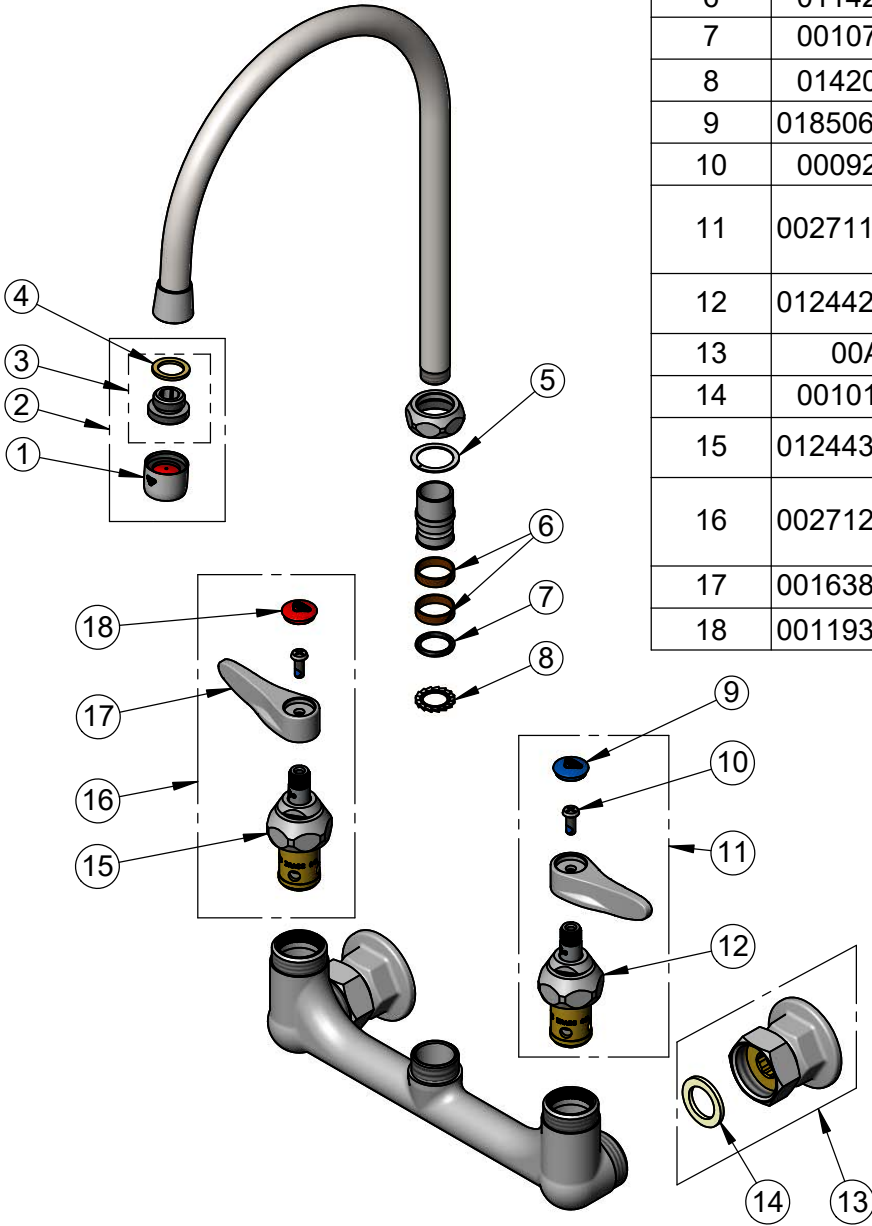
T&S BRASS AND BRONZE WORKS, INC.
 2 Saddleback Cove / P.O. Box 1088
 Travelers Rest, SC 29690

Model No.
B-0230-134XA

Item No.

Travelers Rest, SC: 800-476-4103 • Simi Valley, CA: 800-423-0150 • Fax: 864-834-3518 • www.tsbrass.com

| ITEM NO. | SALES NO. | DESCRIPTION |
|----------|-------------|--|
| 1 | B-0199-01 | 2.2 GPM Aerator, 55/64-27 UN Female |
| 2 | B-0199-02 | 2.2 GPM Aerator, 3/8" NPSM Male |
| 3 | 044A | 3/8" to Aerator Adapter |
| 4 | 001043-45 | Washer |
| 5 | 009538-45 | Swivel Washer |
| 6 | 011429-45 | Swivel Sleeves (2) |
| 7 | 001074-45 | O-Ring |
| 8 | 014200-45 | Star Washer, Anti-Rotation |
| 9 | 018506-19NS | Blue Button Index, Press-in |
| 10 | 000925-45 | Lab Handle Screw |
| 11 | 002711-40NS | Quarter-Turn Eterna Cartridge w/ Spring Check, Handle, Blue Index & Screw, LTC |
| 12 | 012442-40NS | Quarter-Turn Eterna Cartridge w/ Spring Check, LTC |
| 13 | 00AA | 1/2" NPT Female Eccentric Flange |
| 14 | 001019-45 | Coupling Nut Washer |
| 15 | 012443-40NS | Quarter-Turn Eterna Cartridge w/ Spring Check, RTC |
| 16 | 002712-40NS | Quarter-Turn Eterna Cartridge w/ Spring Check, Handle, Red Index & Screw, RTC |
| 17 | 001638-45NS | Lever Handle (New Style) |
| 18 | 001193-19NS | Red Button Index, Press-in |



Product Specifications:

8" Wall Mount Mixing Faucet, Quarter-Turn Eterna Cartridges w/ Spring Checks, Lever Handles, 7 3/4" Swivel/Rigid Gooseneck w/ 2.2 GPM Aerator and 1/2" NPT Female Inlets

Product Compliance:

ASME A112.18.1 / CSA B125.1
 NSF 61 - Section 9
 NSF 372 (Low Lead Content)
 ANSI A117.1 (ADA)