



**T&S BRASS AND BRONZE WORKS, INC.**  
 2 Saddleback Cove / P.O. Box 1088  
 Travelers Rest, SC 29690

Model No.  
**B-0700-LT-CR-K**

Item No.

Travelers Rest, SC: 800-476-4103 • Simi Valley, CA: 800-423-0150 • Fax: 864-834-3518 • www.tsbrass.com



**ADA Compliant**

This Space for Architect/Engineer Approval

Job Name \_\_\_\_\_ Date \_\_\_\_\_

Model Specified \_\_\_\_\_ Quantity \_\_\_\_\_

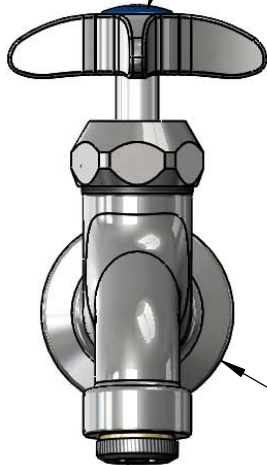
Customer/Wholesaler \_\_\_\_\_

Contractor \_\_\_\_\_

Architect/Engineer \_\_\_\_\_

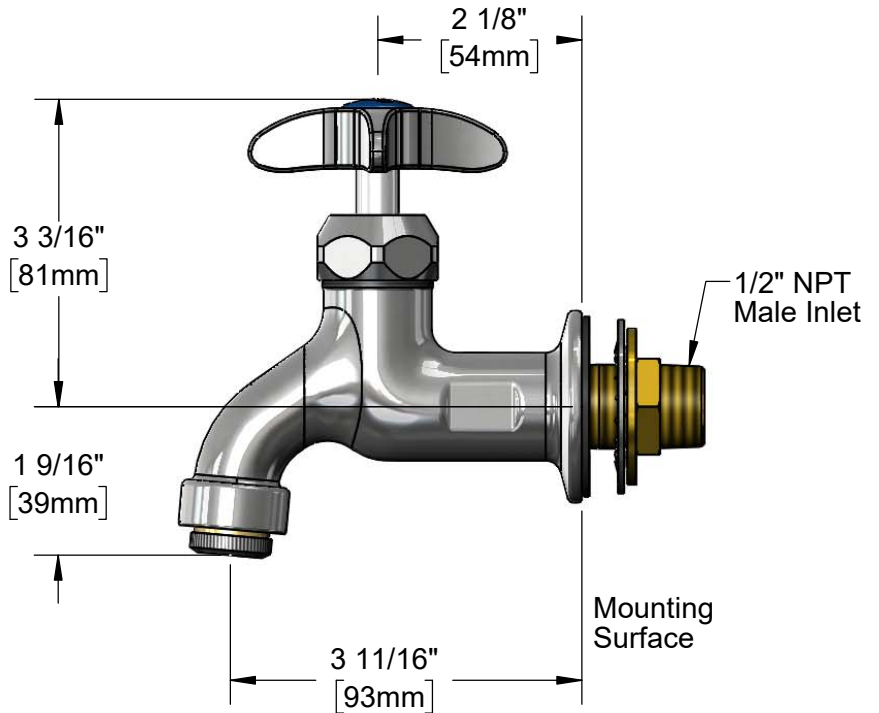


Quarter-Turn  
 Cerama Cartridge w/  
 Check Valve &  
 4-Arm Handle  
 and Blue Color  
 Coded Index



Ø2"  
 [51mm]

BL-T  
 Stream Regulator  
 Outlet



Rough-In Requirement:  
 Ø 1" [25mm] Mounting Hole

Product Specifications:  
 Single Sink Wall Mount Faucet, Quarter-Turn Cerama Cartridge w/ Check Valve, 4-Arm Handle, Blue Color Coded Index, Stream Regulator Outlet and 1/2 NPT Male Installation Kit

Product Compliance:  
 ASME A112.18.1 / CSA B125.1  
 NSF 61 - Section 9  
 NSF 372 (Low Lead Content)  
 ANSI A117.1 (ADA)



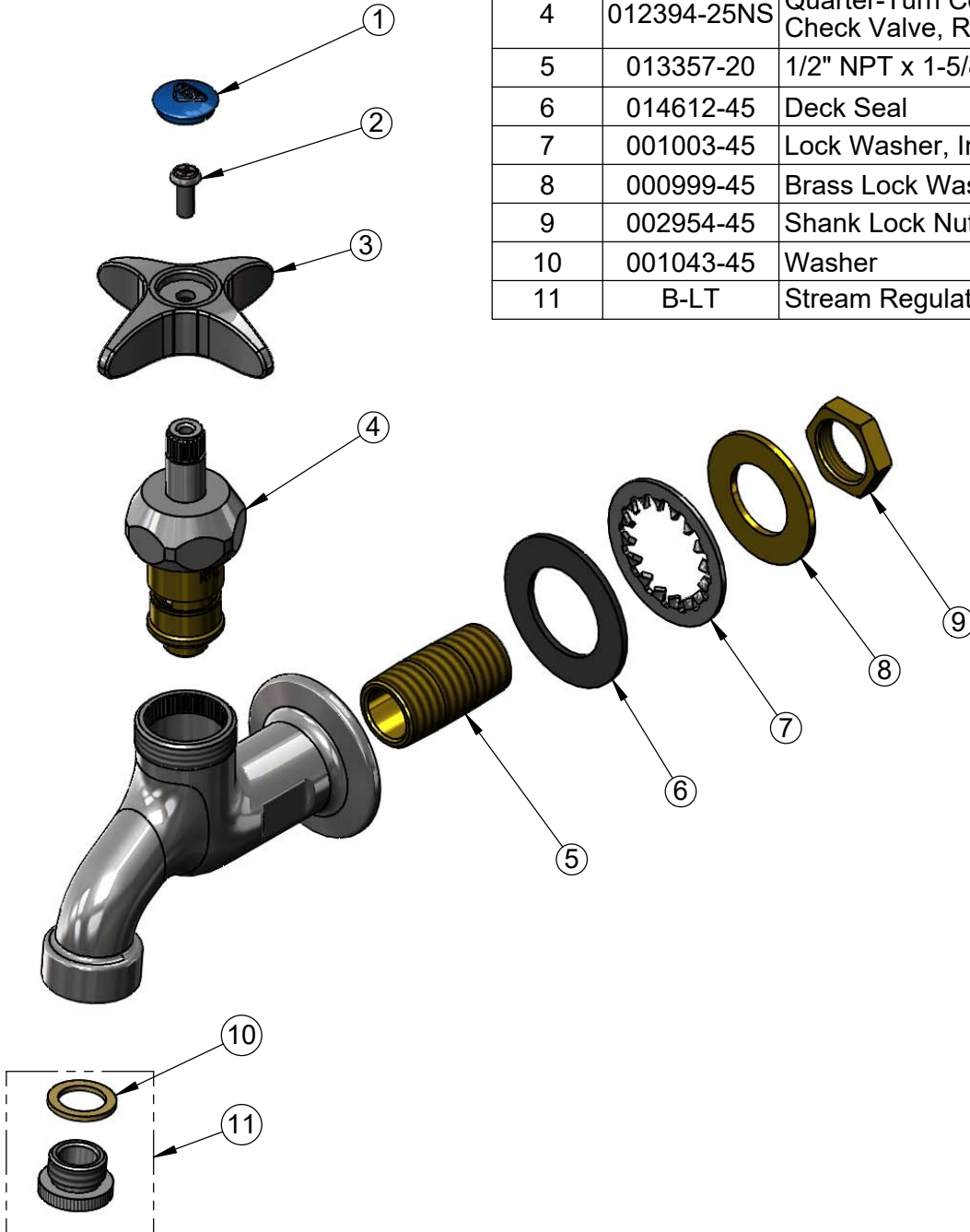
**T&S BRASS AND BRONZE WORKS, INC.**  
 2 Saddleback Cove / P.O. Box 1088  
 Travelers Rest, SC 29690

Model No.  
**B-0700-LT-CR-K**

Item No.

Travelers Rest, SC: 800-476-4103 • Simi Valley, CA: 800-423-0150 • Fax: 864-834-3518 • www.tsbrass.com

ITEM NO.	SALES NO.	DESCRIPTION
1	018506-19NS	Blue Button Index, Press-in
2	000925-45	Lab Handle Screw
3	002521-45NS	4-Arm Handle (New Style)
4	012394-25NS	Quarter-Turn Cerama Cartridge w/ Check Valve, RTC
5	013357-20	1/2" NPT x 1-5/8" Lg. Close Nipple
6	014612-45	Deck Seal
7	001003-45	Lock Washer, Int. Tooth, 1 5/32" ID
8	000999-45	Brass Lock Washer
9	002954-45	Shank Lock Nut
10	001043-45	Washer
11	B-LT	Stream Regulator Outlet



**Product Specifications:**

Single Sink Wall Mount Faucet, Quarter-Turn Cerama Cartridge w/ Check Valve, 4-Arm Handle, Blue Color Coded Index, Stream Regulator Outlet and 1/2 NPT Male Installation Kit

**Product Compliance:**

ASME A112.18.1 / CSA B125.1  
 NSF 61 - Section 9  
 NSF 372 (Low Lead Content)  
 ANSI A117.1 (ADA)