



T&S BRASS AND BRONZE WORKS, INC.
 2 Saddleback Cove / P.O. Box 1088
 Travelers Rest, SC 29690

Model No.
B-0601

Item No.

Travelers Rest, SC: 800-476-4103 • Simi Valley, CA: 800-423-0150 • Fax: 864-834-3518 • www.tsbrass.com

This Space for Architect/Engineer Approval

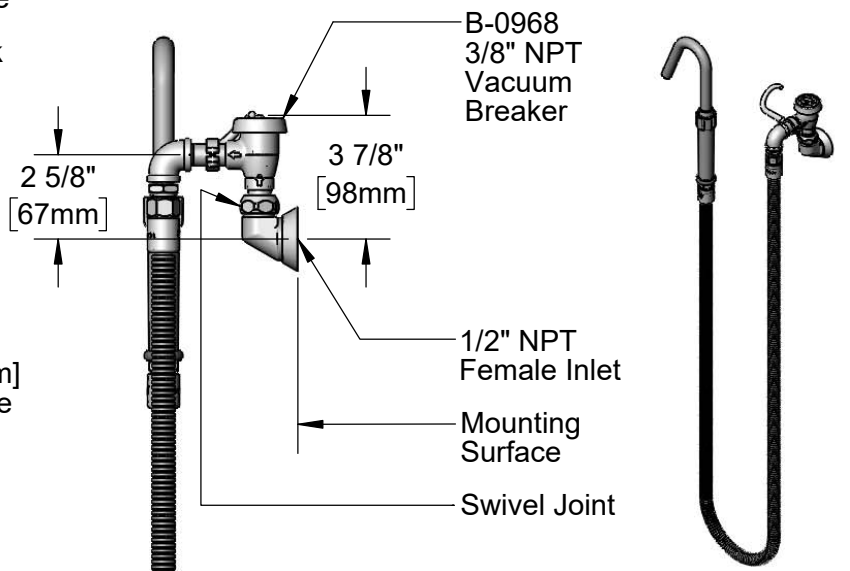
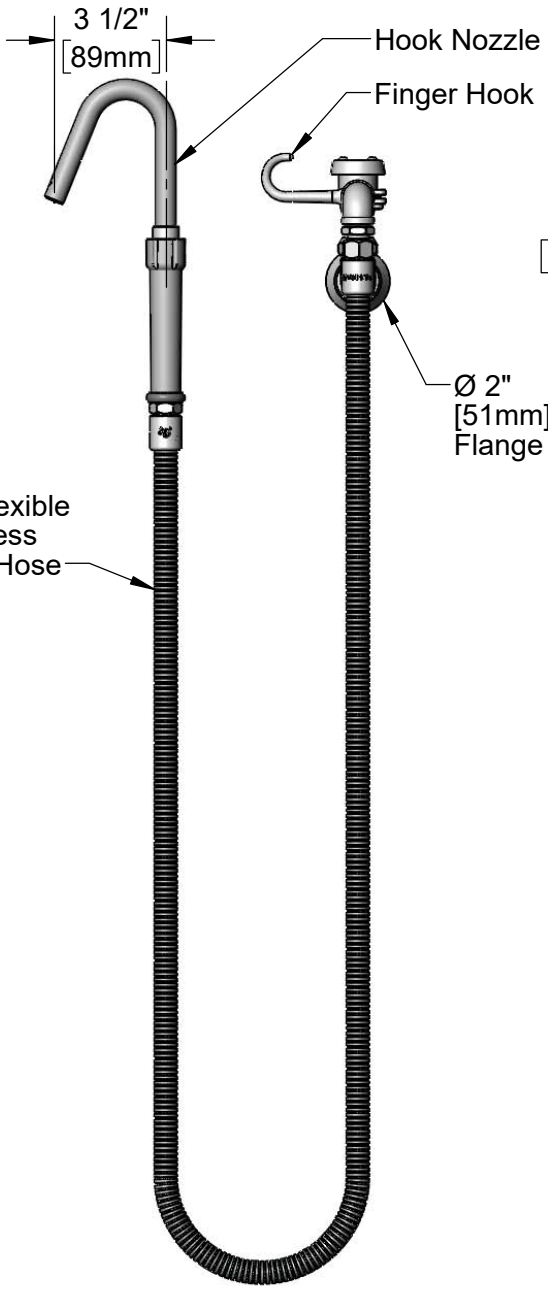
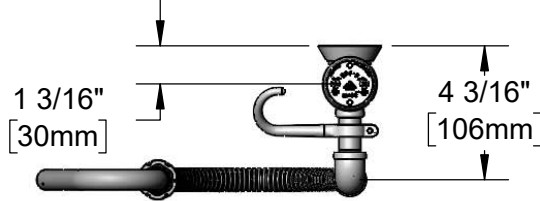
Job Name _____ Date _____

Model Specified _____ Quantity _____

Customer/Wholesaler _____

Contractor _____

Architect/Engineer _____



Product Specifications:

Wall Mount Swivel Pot Filler w/ 68" Flexible Stainless Steel Hose, Hook Nozzle, 3/8" NPT Vacuum Breaker & 1/2" NPT Female Inlet

Product Compliance:

ASME A112.18.1 / CSA B125.1
 NSF 61 - Section 9
 NSF 372 (Low Lead Content)
 ASSE 1001 (VB)

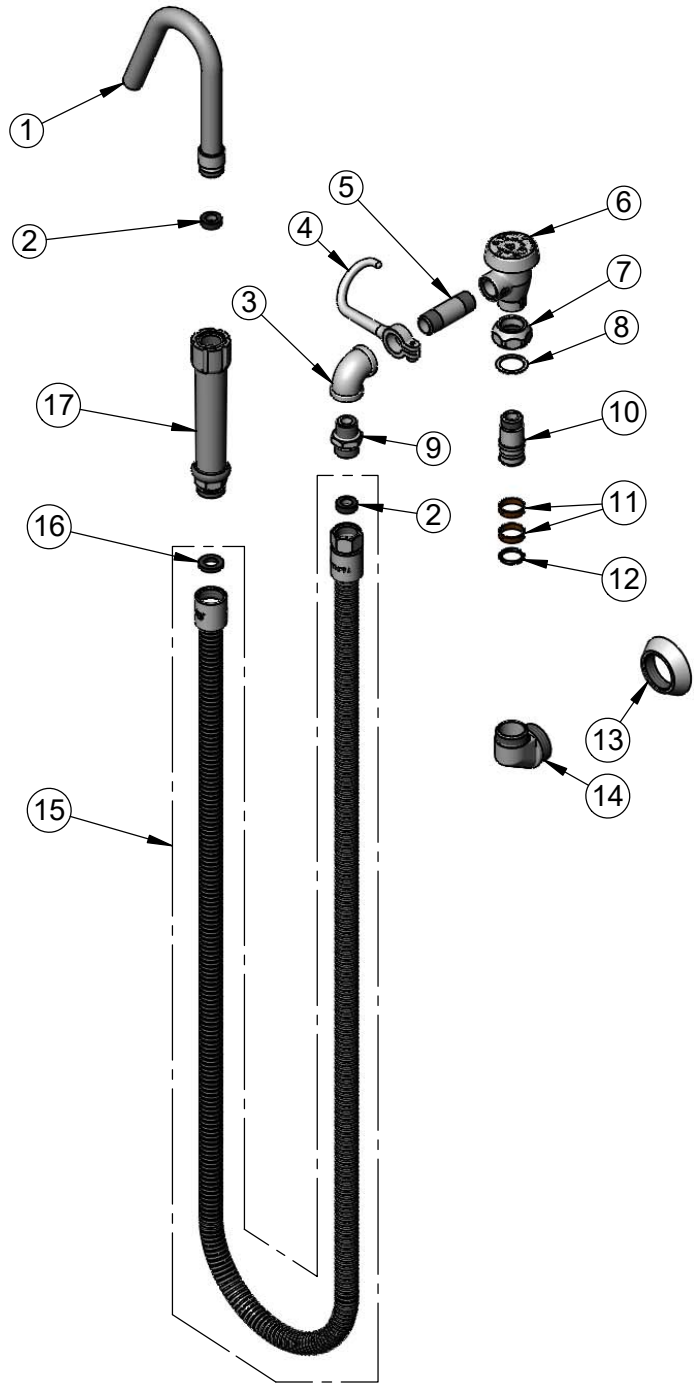


T&S BRASS AND BRONZE WORKS, INC.
 2 Saddleback Cove / P.O. Box 1088
 Travelers Rest, SC 29690

Model No.
B-0601

Item No.

Travelers Rest, SC: 800-476-4103 • Simi Valley, CA: 800-423-0150 • Fax: 864-834-3518 • www.tsbrass.com



ITEM NO.	SALES NO.	DESCRIPTION
1	002860-40	Hook Nozzle
2	010476-45	#27 Washer
3	001355-40	Elbow, 3/8 NPT
4	004R	Finger Hook
5	000357-40	Nipple, 3/8" NPT x 2"
6	B-0968	3/8" NPT Vacuum Breaker
7	000711-40	Swivel Adapter Nut
8	009538-45	Swivel Washer
9	053A	Adapter, 3/8" NPT x 3/4-14UN
10	000843-25	Swivel Body
11	011429-45	Swivel Sleeves (2)
12	001074-45	O-Ring
13	000101-40	Flange
14	000181-40	B-0580 Body
15	B-0068-H2A	68" Flexible Stainless Steel Hose, Less Handle
16	001014-45	Washer, B-0100 Hose Barrel
17	002987-40	Gray Grip Handle

Product Specifications:
 Wall Mount Swivel Pot Filler w/ 68" Flexible Stainless Steel Hose,
 Hook Nozzle, 3/8" NPT Vacuum Breaker & 1/2" NPT Female Inlet

Product Compliance:
 ASME A112.18.1 / CSA B125.1
 NSF 61 - Section 9
 NSF 372 (Low Lead Content)
 ASSE 1001 (VB)