



Architect/Engineering Specifications:

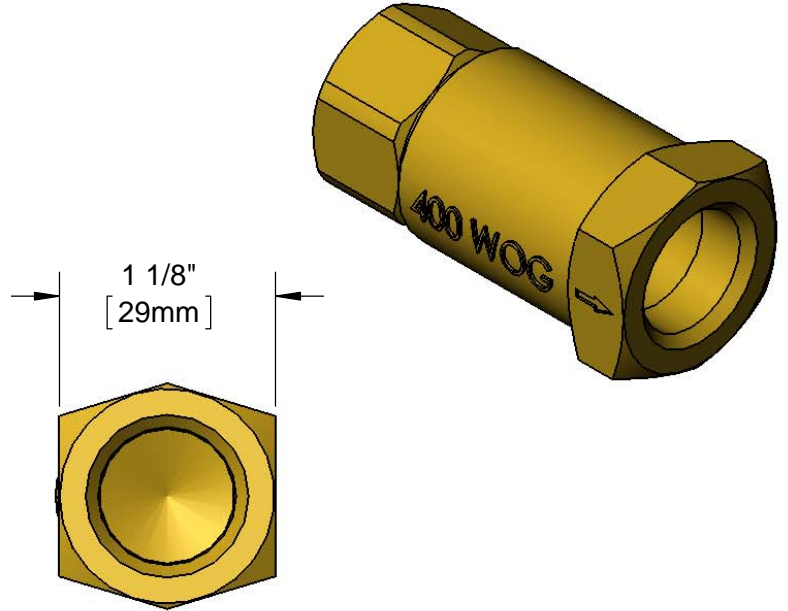
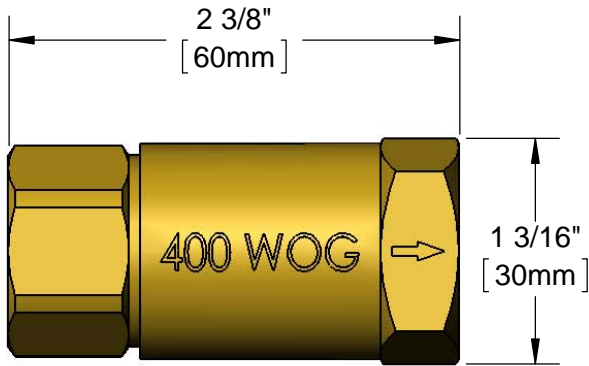
Horizontal check valve for water use only with 1/2" NPT inlet and outlet. Certified to ASME A112.18.1/CSA B125.1, NSF 61-Section 9 and NSF 372.

Job Name _____

Model Specified _____ Quantity _____

Variations Specified _____

Date _____



Features & Benefits:

- 1/2" NPT horizontal check valve
- For water use only
- 1/2" NPT inlet and outlet
- Material: Brass

Product Compliance:

- ASME A112.18.1 / CSA B125.1
- NSF 61 - Section 9
- NSF 372 (Low Lead Content)



Warranty: One Year (Limited)



Performance Data:

- Pressure: 20 - 400 psi
- Temperature: 40 °F - 200 °F
- Flow Rate: 6.0 GPM @ 60 psi

