



T&S BRASS AND BRONZE WORKS, INC.

2 Saddleback Cove / P.O. Box 1088
Travelers Rest, SC 29690

Model No.

B-0330CR-PRISON

Item No.

Travelers Rest, SC: 800-476-4103 • Simi Valley, CA: 800-423-0150 • Fax: 864-834-3518 • www.tsbrass.com



ADA Compliant

This Space for Architect/Engineer Approval

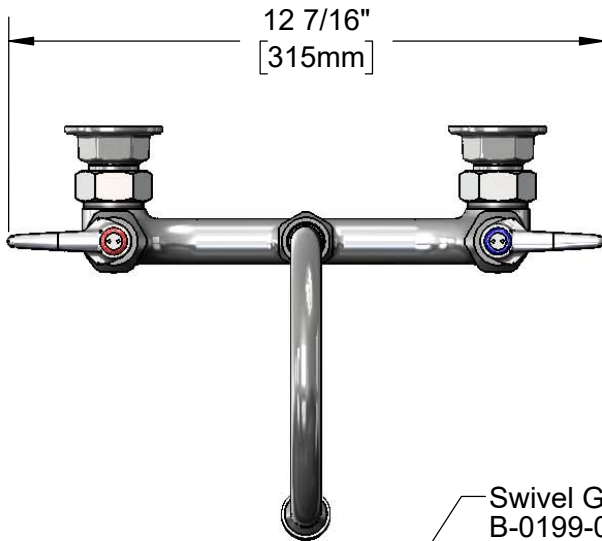
Job Name _____ Date _____

Model Specified _____ Quantity _____

Customer/Wholesaler _____

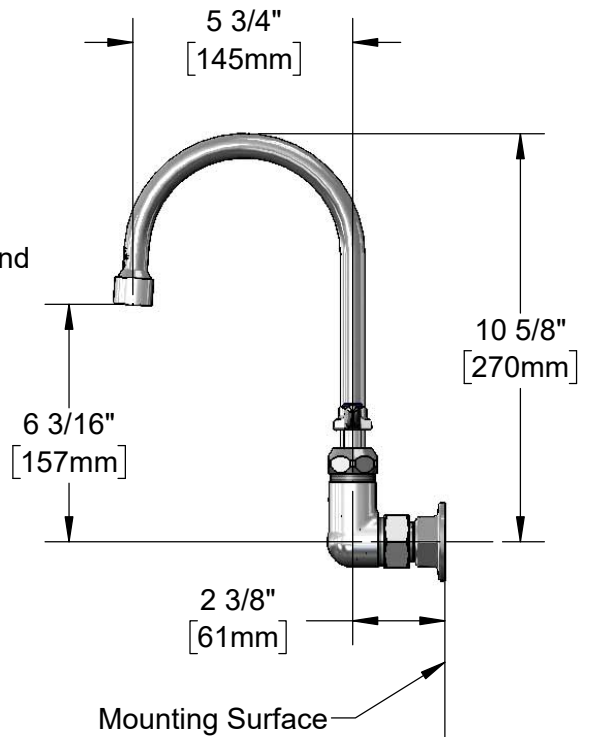
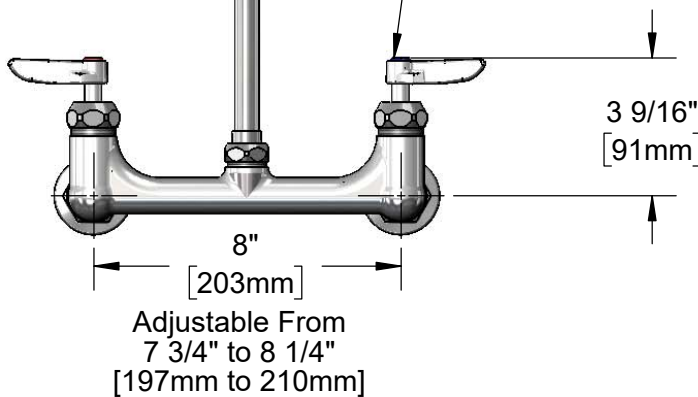
Contractor _____

Architect/Engineer _____



Swivel Gooseneck w/
B-0199-06-F10
1.0 GPM Aerator
Converts to Rigid w/
014200-45
Lock Washer (Included).

Quarter-Turn
Cerama Cartridges &
Solid Brass Chrome Plated
Lever Handles w/
Vandal Resistant Screws and
Color Coded Indexes



Product Specifications:

8" Wall Mount Mixing Faucet, Quarter-Turn Cerama Cartridges w/
Check Valves, Solid Brass Chrome Plated Lever Handles, 5 3/4"
Swivel/Rigid Gooseneck w/ 1.0 GPM Vandal Resistant Aerator & 1/2"
NPT Female Inlets

Product Compliance:

ASME A112.18.1 / CSA B125.1
NSF 61 - Section 9
NSF 372 (Low Lead Content)
ANSI A117.1 (ADA)



T&S BRASS AND BRONZE WORKS, INC.

2 Saddleback Cove / P.O. Box 1088
Travelers Rest, SC 29690

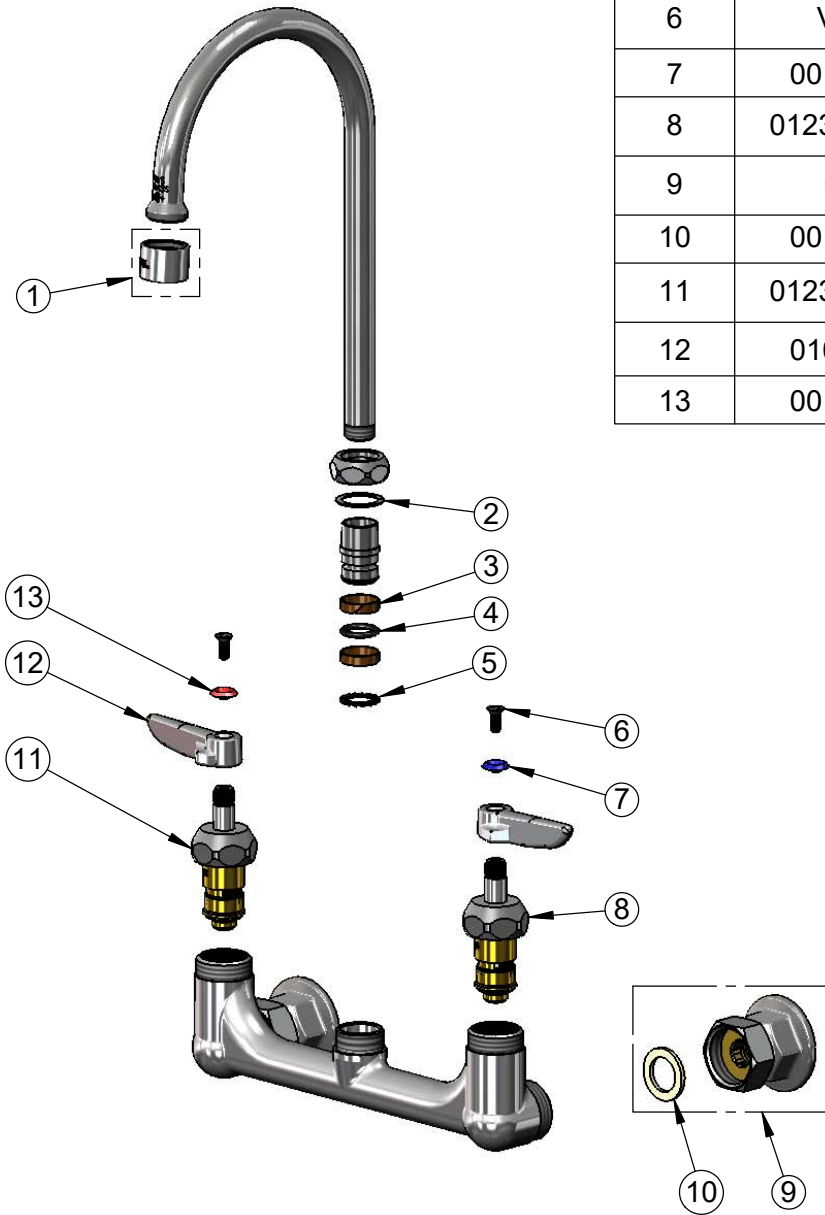
Model No.

B-0330CR-PRISON

Item No.

Travelers Rest, SC: 800-476-4103 • Simi Valley, CA: 800-423-0150 • Fax: 864-834-3518 • www.tsbrass.com

| ITEM NO. | SALES NO. | DESCRIPTION |
|----------|---------------|---|
| 1 | B-0199-06-F10 | VR Aerator, 1.0 GPM, 55/64-27 Female |
| 2 | 009538-45 | Swivel Washer |
| 3 | 011429-45 | Swivel Sleeves (2) |
| 4 | 001074-45 | O-Ring |
| 5 | 014200-45 | Star Washer, Anti-Rotation |
| 6 | VRS-1 | VR Lever Handle Screw (2) w/ Spanner Bit |
| 7 | 001660-45 | Blue Index-CW |
| 8 | 012395-25NS | Quarter-Turn Cerama Cartridge w/ Check Valve, LTC |
| 9 | 00AA | 1/2" NPT Female Eccentric Flange |
| 10 | 001019-45 | Coupling Nut Washer |
| 11 | 012394-25NS | Quater-Turn Cerama Cartridge w/ Check Valve, RTC |
| 12 | 010027-40 | Solid Brass Chrome Plated Lever Handle |
| 13 | 001661-45 | Red Index-HW |



014074-45
Spanner Bit



015425-45
Vandal Resistant
Key

Product Specifications:
8" Wall Mount Mixing Faucet, Quarter-Turn Cerama Cartridges w/ Check Valves, Solid Brass Chrome Plated Lever Handles, 5 3/4" Swivel/Rigid Gooseneck w/ 1.0 GPM Vandal Resistant Aerator & 1/2" NPT Female Inlets

Product Compliance:
ASME A112.18.1 / CSA B125.1
NSF 61 - Section 9
NSF 372 (Low Lead Content)
ANSI A117.1 (ADA)