



T&S BRASS AND BRONZE WORKS, INC.

2 Saddleback Cove / P.O. Box 1088
Travelers Rest, SC 29690

Model No.

B-0597-LF20

Item No.

Travelers Rest, SC: 800-476-4103 • Simi Valley, CA: 800-423-0150 • Fax: 864-834-3518 • www.tsbrass.com

This Space for Architect/Engineer Approval

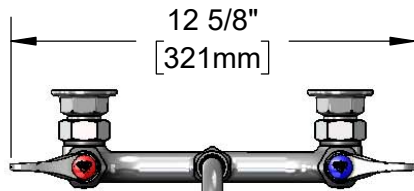
Job Name _____ Date _____

Model Specified _____ Quantity _____

Customer/Wholesaler _____

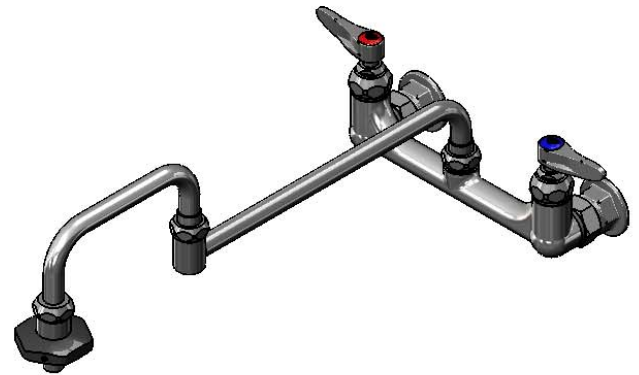
Contractor _____

Architect/Engineer _____



12 5/8"
[321mm]

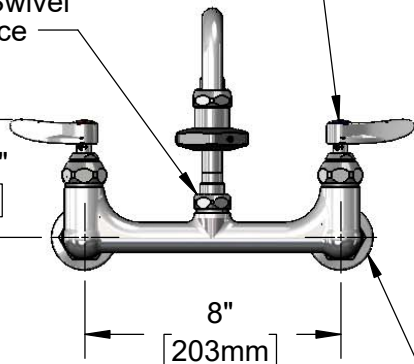
18" Double Joint
Swing Nozzle
w/ Heat Resistant
"On-Off" Handle.
Converts to Rigid w/
014200-45
Lock Washer (Included).



Quarter-Turn Eterna
Cartridges w/ Spring
Checks & Lever Handles
w/ Color Coded Indexes

2.2 GPM
Flow Disc
in Swivel
Piece

3 11/16"
[94mm]



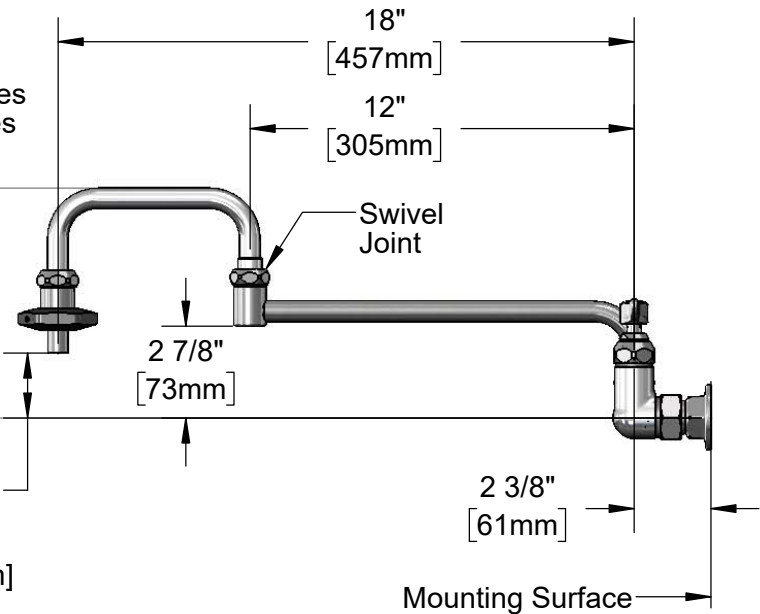
8"
[203mm]

Adjustable From
7 3/4" to 8 1/4"
[197mm to 210mm]

7 3/16"
[182mm]

2"
[51mm]

Ø2" [51mm]
Flanges w/
1/2" NPT
Female Inlets



18"
[457mm]

12"
[305mm]

Swivel
Joint

2 7/8"
[73mm]

2 3/8"
[61mm]

Mounting Surface

Product Specifications:

8" Wall Mount Mixing Faucet, Quarter-Turn Eterna Cartridges w/ Spring Checks, Lever Handle, 18" Double Joint Swing Nozzle w/ Heat Resistant Handle & 2.2 GPM Flow Control Swivel Piece & 1/2" NPT Female Inlets

Product Compliance:

ASME A112.18.1 / CSA B125.1
NSF 61 - Section 9
NSF 372 (Low Lead Content)



T&S BRASS AND BRONZE WORKS, INC.

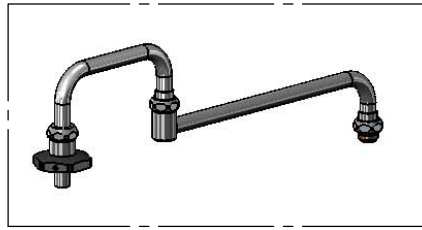
2 Saddleback Cove / P.O. Box 1088
Travelers Rest, SC 29690

Model No.

B-0597-LF20

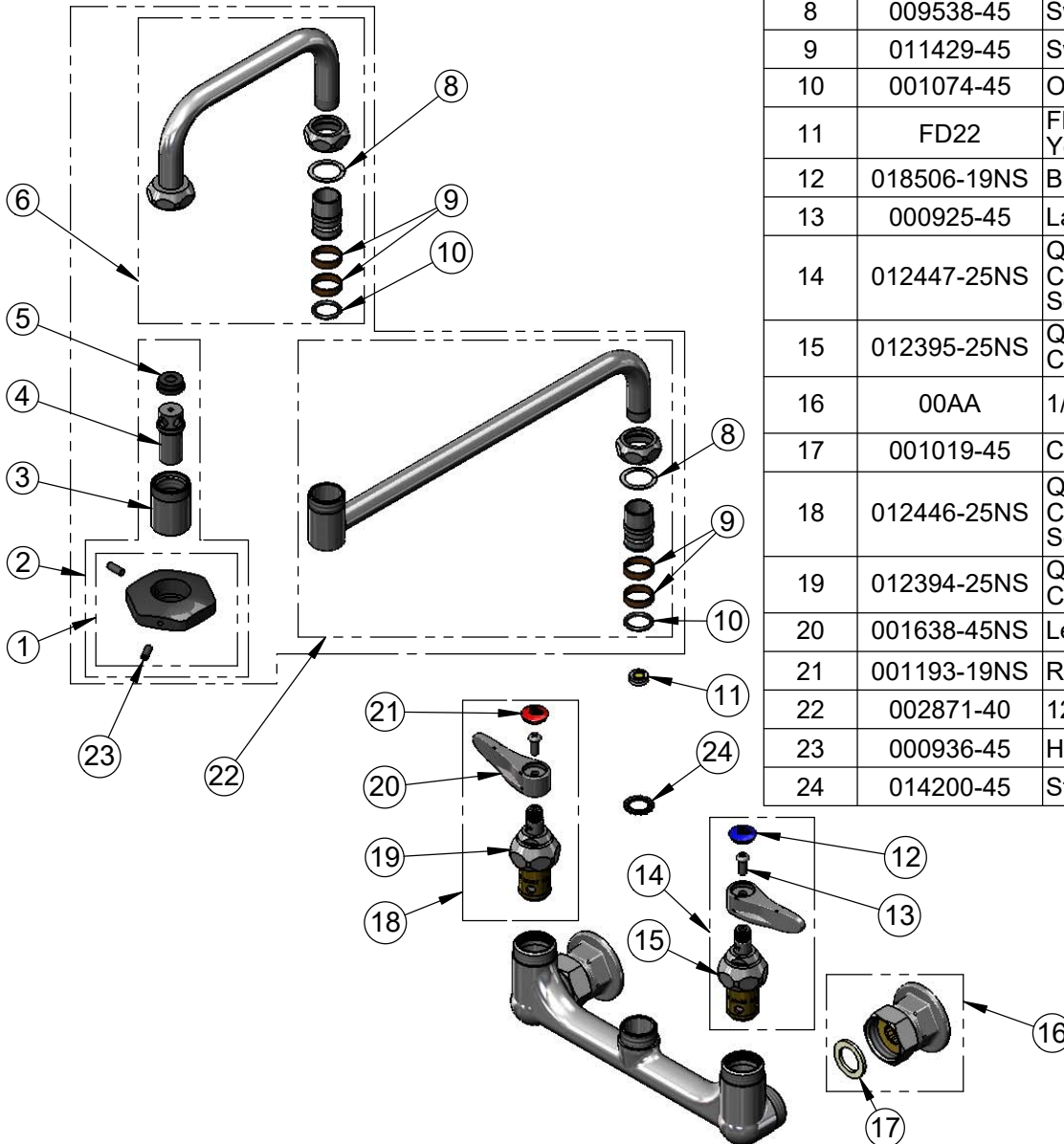
Item No.

Travelers Rest, SC: 800-476-4103 • Simi Valley, CA: 800-423-0150 • Fax: 864-834-3518 • www.tsbrass.com



Additional View for Bill of Material Clarification w/o Faucet

⑦



ITEM NO.	SALES NO.	DESCRIPTION
1	001126-20	Handle w/ (2) Set Screws
2	035A	Outlet
3	000587-25	Spout Body
4	001498-25	Spout
5	001089-45	Seal
6	002870-40	6" Front Section
7	002848-40	18" Double Joint Swing Nozzle w/ Heat Resistant Handle
8	009538-45	Swivel Washer
9	011429-45	Swivel Sleeves (2)
10	001074-45	O-Ring
11	FD22	Flow Disc, 2.2 GPM [8.3 L/min.] - Yellow
12	018506-19NS	Blue Button Index, Press-in
13	000925-45	Lab Handle Screw
14	012447-25NS	Quarter-Turn Cerama Cartridge w/ Check Valve, Handle, Blue Index & Screw, LTC
15	012395-25NS	Quarter-Turn Cerama Cartridge w/ Check Valve, LTC
16	00AA	1/2" NPT Female Eccentric Flange
17	001019-45	Coupling Nut Washer
18	012446-25NS	Quarter-Turn Cerama Cartridge w/ Check Valve, Handle, Red Index & Screw, RTC
19	012394-25NS	Quarter-Turn Cerama Cartridge w/ Check Valve, RTC
20	001638-45NS	Lever Handle (New Style)
21	001193-19NS	Red Button Index, Press-in
22	002871-40	12" Back Section
23	000936-45	Handle Set Screw
24	014200-45	Star Washer, Anti-Rotation

Product Specifications:

8" Wall Mount Mixing Faucet, Quarter-Turn Eterna Cartridges w/ Spring Checks, Lever Handle, 18" Double Joint Swing Nozzle w/ Heat Resistant Handle & 2.2 GPM Flow Control Swivel Piece & 1/2" NPT Female Inlets

Product Compliance:

ASME A112.18.1 / CSA B125.1
NSF 61 - Section 9
NSF 372 (Low Lead Content)