



T&S BRASS AND BRONZE WORKS, INC.
 2 Saddleback Cove / P.O. Box 1088
 Travelers Rest, SC 29690

Model No.
S-0107-J

Item No.

Travelers Rest, SC: 800-476-4103 • Simi Valley, CA: 800-423-0150 • Fax: 864-834-3518 • www.tsbrass.com

EVERSTEEL

This Space for Architect/Engineer Approval

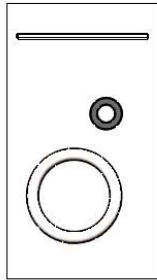
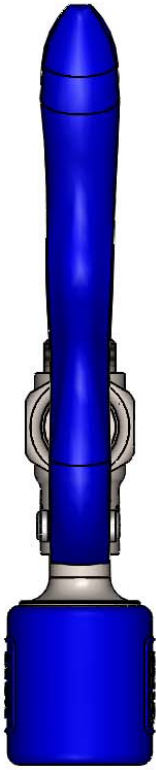
Job Name _____ Date _____

Model Specified _____ Quantity _____

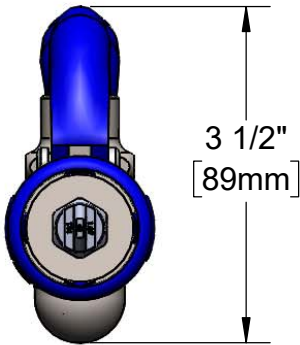
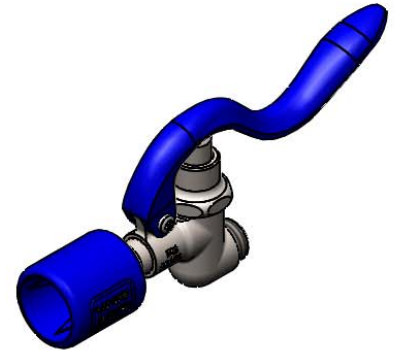
Customer/Wholesaler _____

Contractor _____

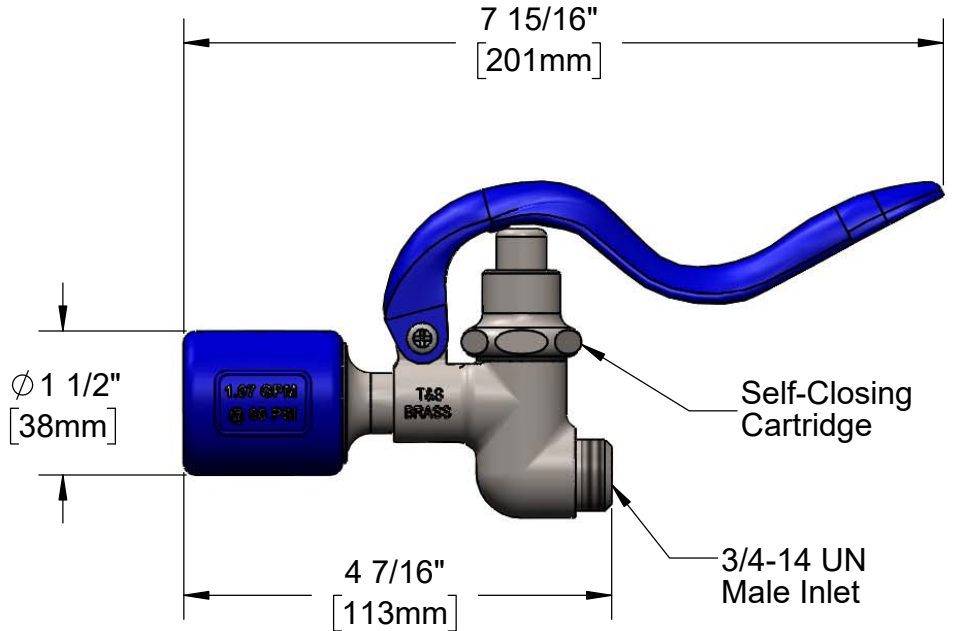
Architect/Engineer _____



Hose Washer &
 Hold Down Ring
 (Included)



3 1/2"
 [89mm]



7 15/16"
 [201mm]

Ø 1 1/2"
 [38mm]

4 7/16"
 [113mm]

Self-Closing
 Cartridge

3/4-14 UN
 Male Inlet

Flow Rate: 1.07 GPM [4.1 Lpm] @ 60 psi [4.14 bar]
 Spray Force: 7.2 Ozf [204 Gramf] @ 60 psi [4.14 bar]

Product Specifications:
 Blue Self-Closing Stainless Steel Pre-Rinse Spray Valve,
 1.07 GPM Spray Nozzle

Product Compliance:
 ASME A112.18.1 / CSA B125.1
 NSF 61 - Section 9
 NSF 372 (Low Lead Content)
 2019 DOE PRSV - Class II



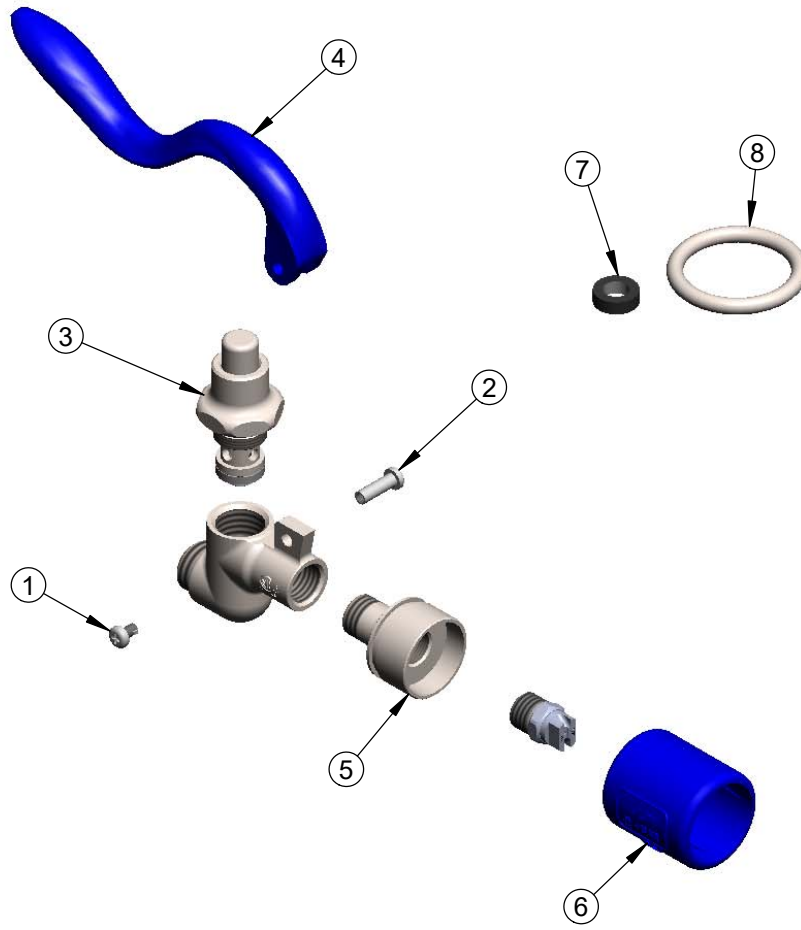
T&S BRASS AND BRONZE WORKS, INC.
 2 Saddleback Cove / P.O. Box 1088
 Travelers Rest, SC 29690

Model No.
S-0107-J

Item No.

Travelers Rest, SC: 800-476-4103 • Simi Valley, CA: 800-423-0150 • Fax: 864-834-3518 • www.tsbrass.com

ITEM NO.	SALES NO.	DESCRIPTION
1	003199-45	Spray Valve Handle Screw
2	003198-45	Spray Valve Handle Nut
3	S010594-30	Bonnet, SS Spray Valve
4	011454-45	Spray Valve Handle - Blue
5	S003128-30NS	Short Low-Flow PRSV Nozzle
6	018293-45NS	Short Blue Shield Low Flow 1.07 GPM
7	010476-45	#27 Washer
8	S000907-30	Spray Valve Hold Down Ring



Product Specifications:
 Blue Self-Closing Stainless Steel Pre-Rinse Spray Valve,
 1.07 GPM Spray Nozzle

Product Compliance:
 ASME A112.18.1 / CSA B125.1
 NSF 61 - Section 9
 NSF 372 (Low Lead Content)
 2019 DOE PRSV - Class II