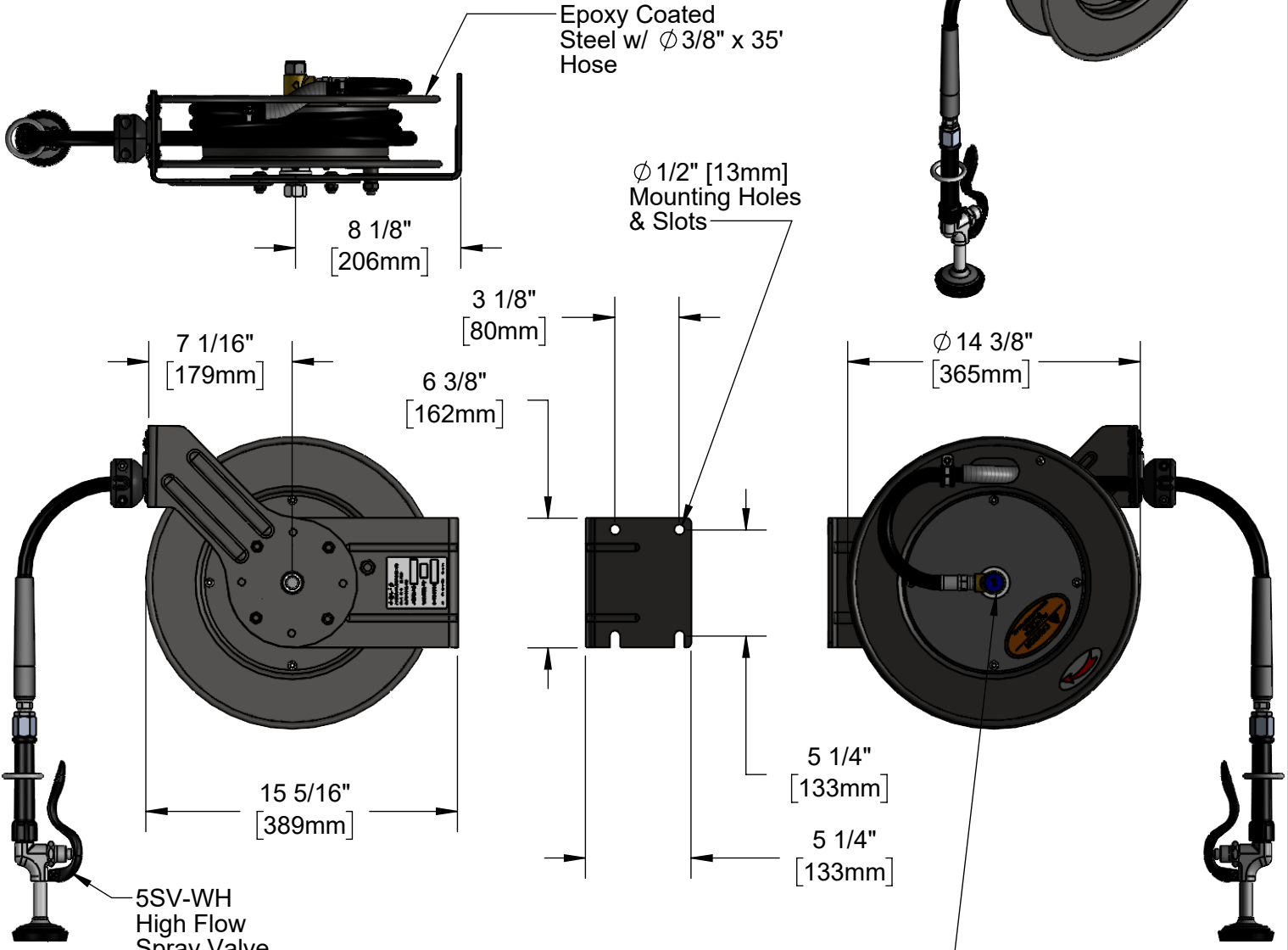


This Space for Architect/Engineer Approval

Job Name _____ Date _____
 Model Specified _____ Quantity _____
 Customer/Wholesaler _____
 Contractor _____
 Architect/Engineer _____



Epoxy Coated Steel w/ $\varnothing 3/8$ " x 35' Hose

$\varnothing 1/2$ " [13mm] Mounting Holes & Slots

7 1/16" [179mm]

3 1/8" [80mm]

6 3/8" [162mm]

$\varnothing 14 3/8$ " [365mm]


15 5/16" [389mm]

5 1/4" [133mm]

5 1/4" [133mm]

5SV-WH High Flow Spray Valve

Stainless Steel Shaft & Brass Swivel w/ 3/8" NPT Female Inlet (Left Side of Reel)


 019129-25
 Reducing Adapter
 3/8" NPT Male x 1/2" NPT Female (Included)

Model Number
5HR-232-01-A

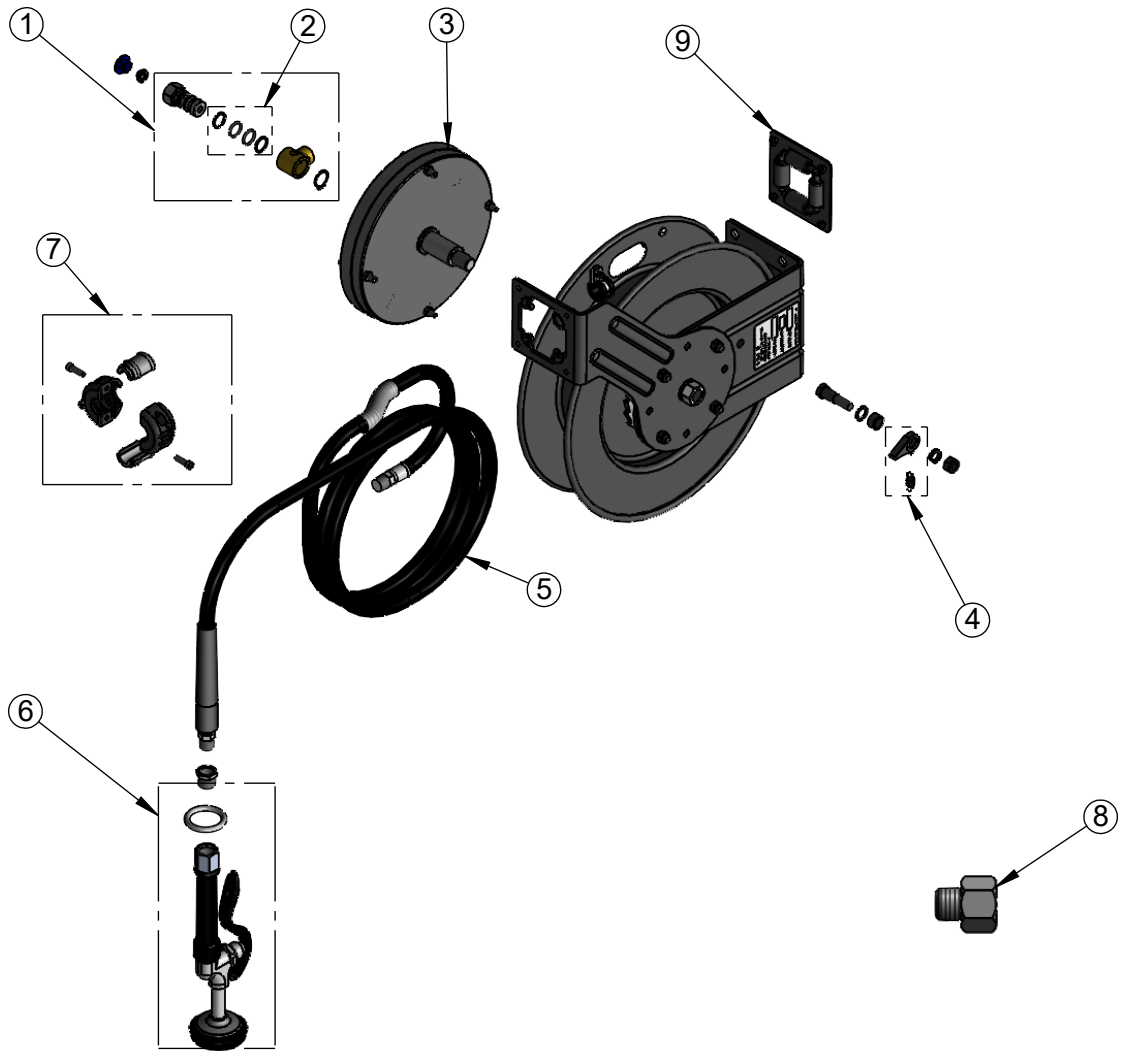
Product Compliance:
 EPAAct 2005 Non-Compliant (PRSV)
 NSF 61 Exempt (Non-Potable)

Product Specifications:
 Epoxy Coated Steel, Open Hose Reel w/ $\varnothing 3/8$ " x 35' Hose, Reducing Adapter & High Flow Spray Valve

equip Foodservice Accessories  by 

2 Saddleback Cove, P.O. Box 1088
 Travelers Rest, South Carolina 29690
 Phone: 800.891.4808 Fax: 800.868.0084
 equip.tsbrass.com

ITEM NO.	SALES NO.	DESCRIPTION
1	5HR-2SA	Complete 3/8" Swivel
2	014948-45	Seal Kit
3	G016682-45	Spring
4	014940-45	Ratchet Repair Kit
5	5HR-2HSE-35	Ø 3/8" x 35' Hose
6	5SV-WH	Hose Reel Spray Valve
7	019246-45	Hose Stop Repair Kit
8	019129-25	Reducing Adapter, 3/8" NPT Male x 1/2" NPT Female
9	G016631-45	Roller Kit



Model Number

5HR-232-01-A

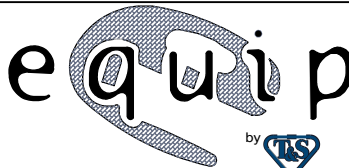
Product Specifications:

Epoxy Coated Steel, Open Hose Reel
w/ Ø3/8" x 35' Hose, Reducing Adapter &
High Flow Spray Valve

Product Compliance:

EPA Act 2005 Non-Compliant (PRSV)
NSF 61 Exempt (Non-Potable)

equip
Foodservice
Accessories



2 Saddleback Cove, P.O. Box 1088
Travelers Rest, South Carolina 29690
Phone: 800.891.4808 Fax: 800.868.0084
equip.tsbrass.com