



**Glass Filler**  
**S015886-30**

TAG:

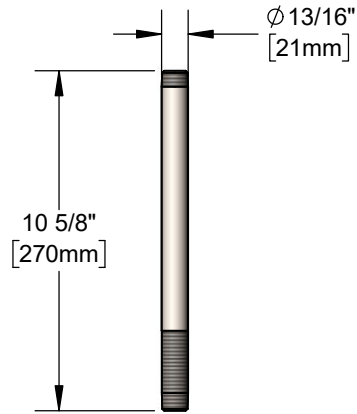
**EVERSTEEL**

*Pedestal*

**Architect/Engineering Specifications:**

8" stainless steel pedestal with 1/2" NPT male inlet. Certified to NSF61 - Section 9 and NSF 372.

Job Name \_\_\_\_\_  
 Model Specified \_\_\_\_\_ Quantity \_\_\_\_\_  
 Variations Specified \_\_\_\_\_  
 Date \_\_\_\_\_



**Features & Benefits:**

- Stainless steel pedestal
- 1/2" NPT male inlet
- Material: Stainless steel

**Product Compliance:**

- NSF 61 - Section 9
- NSF 372 (Low Lead Content)

**Warranty:** One Year (Limited)

**Performance Data:**

- N/A



**T&S BRASS AND BRONZE WORKS, INC.**



• 2 Saddleback Cove • Travelers Rest, SC 29690  
 Ph 800-476-4103 • Fax 864-834-3518  
 • Simi Valley, CA • Ph 800-423-0150 • www.tsbrass.com

Date: 03/29/23